

**HITRONS**  
SOLUTIONS INC

88 Portland Avenue, Suite M  
Bergenfield, NJ 07621  
www.hitronsinc.com  
Customer Service  
cs@hitronsinc.com  
1-800-515-3430



*Hand Dryer*

---

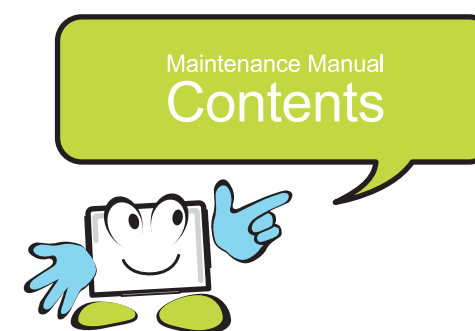
Maintenance Manual



AIR TOWEL®

**HITRONS**  
SOLUTIONS INC

AIR TOWEL® Hand Dryer



2	Caution
5	Construction
6	Specifications and nomenclature
9	Problem solving
15	Main sensor cleaning (disassembly and assembly)
23	Motor maintenance (disassembly and assembly)
39	Filter • switch (replacement and checking)
43	Speed control
47	Board replacement
53	Lamp and stabilizer replacement

## Safety

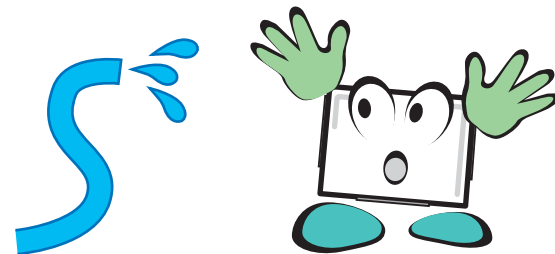
- ※ Read this manual carefully before using this product.
- ※ Follow the warnings and cautions on this page to ensure correct and safe use. Disregarding warnings and cautions may result in personal injury or product damage.

### Warning



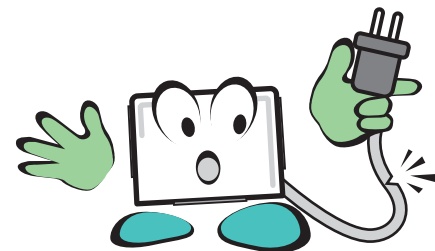
#### Do not disassemble, repair or modify the product.

Disassembly, repair or modification may cause the product to ignite or cause a malfunction resulting in fire or electrocution.  
 ※ To repair the product, contact the dealer from whom you purchased the product.



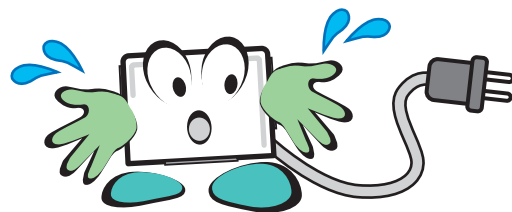
#### Do not subject the product to liquids.

A short-circuit or fire may occur or you may receive an electric shock if the product is wet.



#### Do not tamper with the power cable or plug:

- ※ Do not damage or modify the power cable or plug
- ※ Do not place the cable or plug near an appliance that emits heat
- ※ Do not excessively bend, twist or pull on the cable or plug
- ※ Do not place heavy objects on the cable and plug
- ※ Do not incorrectly bind the cable or plug
- ※ Doing any of the above may result in a short-circuit, electrocution or fire.
- ※ To repair the cable or plug, contact the dealer from whom you purchased the product.



#### Do not touch the power plug with wet hands- there is danger of electrocution.

If the plug is covered with dust, it may absorb humidity, causing insufficient insulation and resulting in a fire.  
 ※ Clean the plug by disconnecting it from the power source. Wipe and clean with a dry cloth.  
 ※ If you will not be using the product for long periods, disconnect the power plug from the power source.

#### Make sure the power plug is firmly connected.

If not correctly connected you may be electrocuted or heat generation may cause a fire.  
 \* Do not use a damaged or loose plug.

#### Use single-phase alternating current 120V (for KTM-120).

Do not use the product with other appliances sharing the same power source-the heat generated may cause a fire.

#### Unplug the power plug from the power source when maintenance is required.

(If the product is connected to a dedicated power source, turn off the earth leakage breaker.)  
 If you perform maintenance on the product while the power plug is connected to the power source, the product may accidentally turn on and you may be injured or electrocuted.

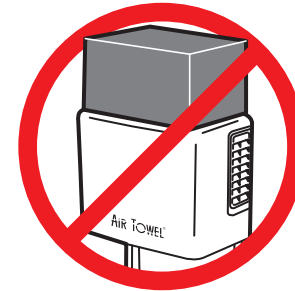
#### Make sure an earth leakage breaker is installed at the power source.

If an earth leakage breaker has not been installed, you may be electrocuted when the product malfunctions or current leakage occurs.

## Maintenance Manual

AIR TOWEL

### Cautions



- Do not hang on the product-you may slip and fall and injure yourself.  
 Do not place anything on the product-the object may fall to the floor and you may be injured.



- Hold the power plug firmly when disconnecting. Do not pull on the cable when disconnecting.

Pulling on the power plug may damage the cable, resulting in a short-circuit or fire or you may be electrocuted.



- Do not insert foreign objects such as pins, wires or metal into the air exhaust opening or any other opening- doing so may result in electrocution.



- Do not look at the UV lamp on the main body with the naked eyes.

It could affect your vision and eyes.

### Cautions on product

- Do not use the product in environments with high temperatures (40°C or more), where humidity is high or excessive steam is generated. These conditions may cause the product to deform or malfunction.
- Do not close or cover the air intake or exhaust openings. This may cause the product to malfunction.
- Do not use the product to dry hands that have been exposed to chemicals. The chemicals may adhere to the product and may cause a malfunction.

### The symbols shown on this page define the warnings and cautions.

**Warning** Not following the warning may result in death or serious injury.

**Caution** Not following the caution may result in personal injury or product damage.

The following symbols define the seriousness of the danger or potential product damage if used incorrectly.

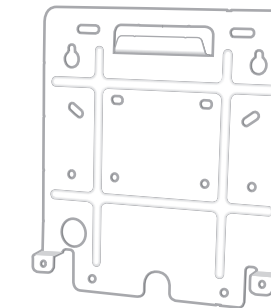
Do not do this. Follow the instruction.

# Construction

AIR TOWEL



Main body



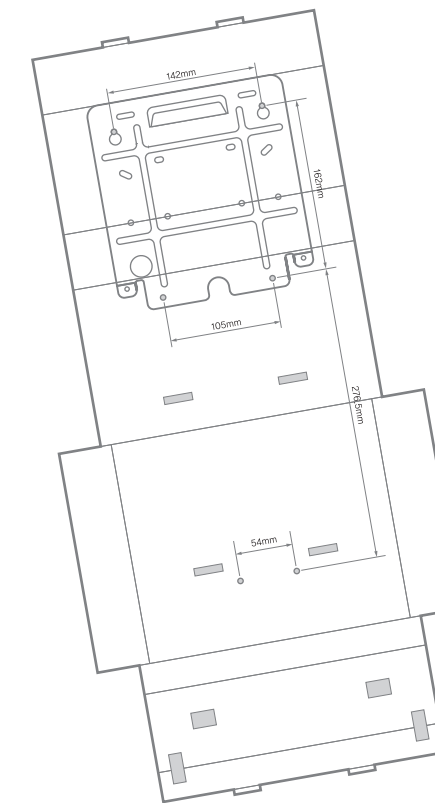
Mounting board



Screw  $\varnothing 4 \times 14L$  2EA  
Screw  $\varnothing 4 \times 16L$  6EA



Water block | Water cup



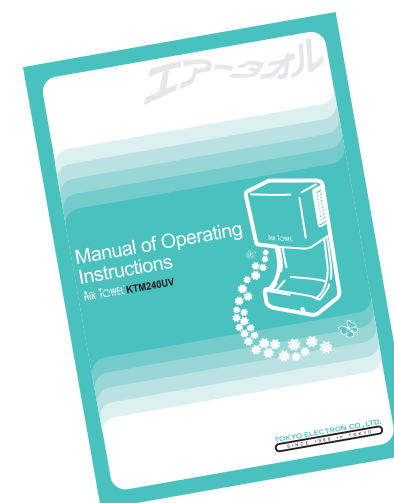
Mounting surface guiding sheet (packaging board)



Anchor plug  $\varnothing 4 \times 16L$  6EA



Opener 1EA



Manual

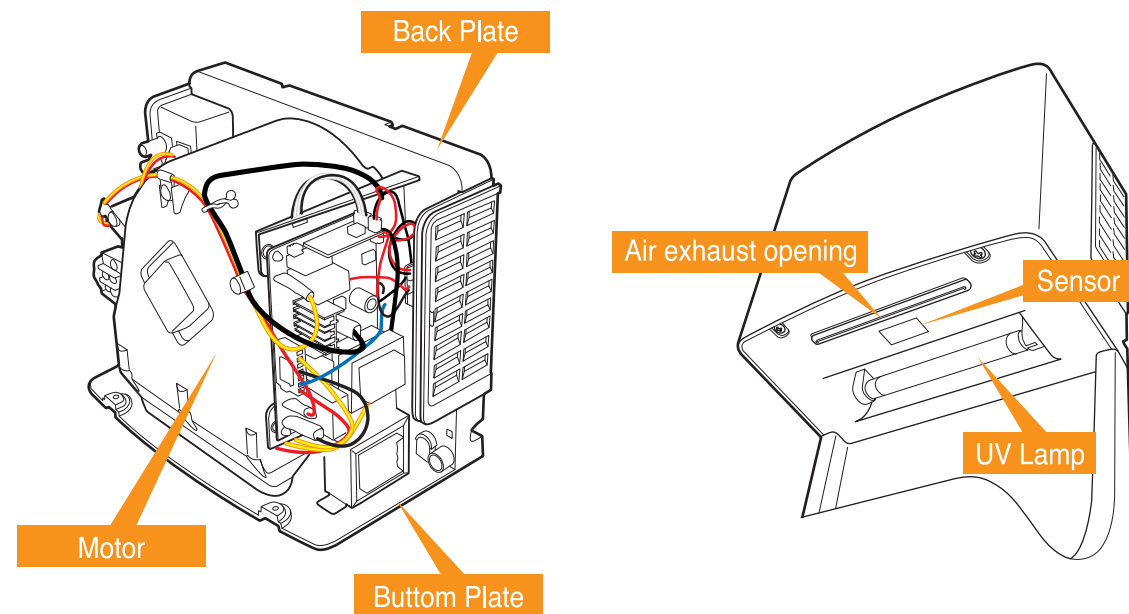
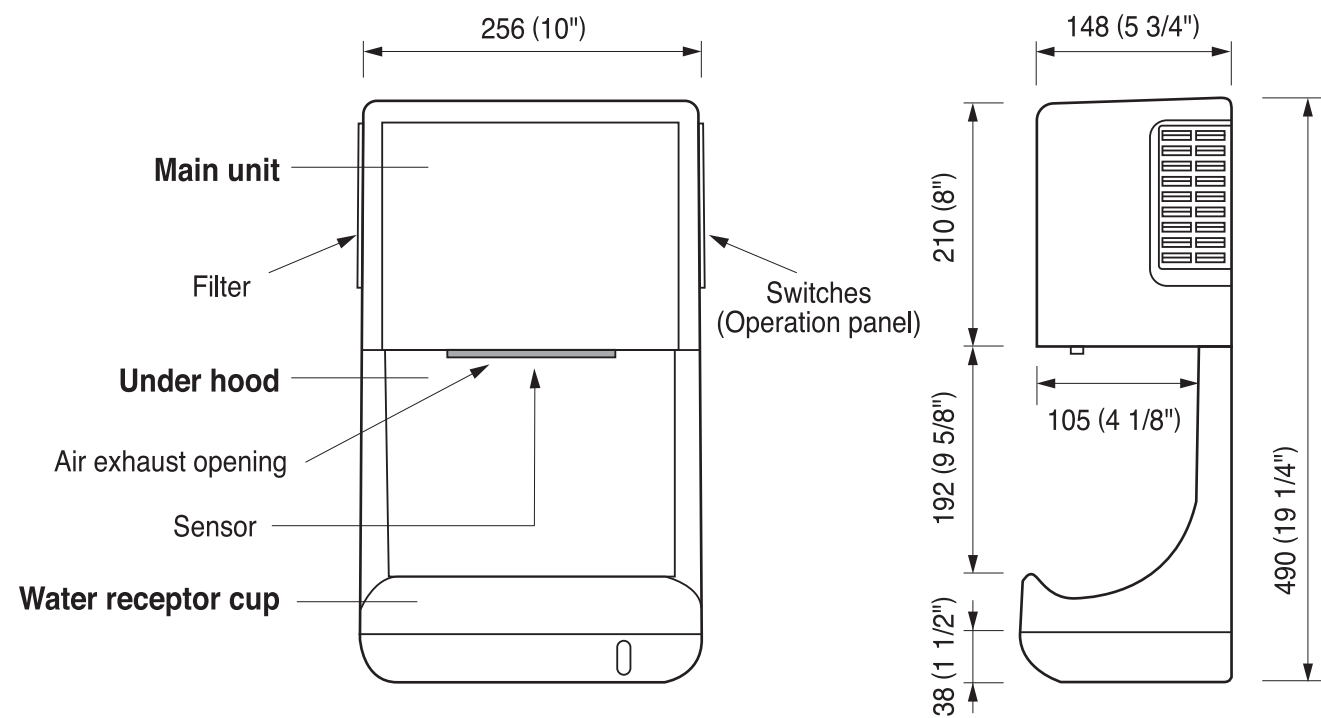
## Preparation Tool

- $\oplus$  Screwdriver  $\varnothing 6 \times 250mm$ ,  $\varnothing 6 \times 100mm$ ,  $\varnothing 2.5 \times 75mm$
- Long nose
- Tester (voltage and resistance measurement)



# Names and dimensions

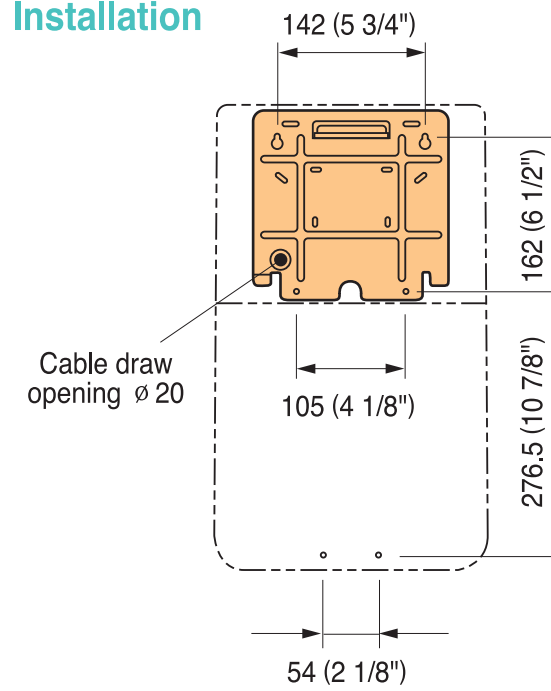
Front View | Side View (Unit : mm)



# Maintenance Manual



## Installation

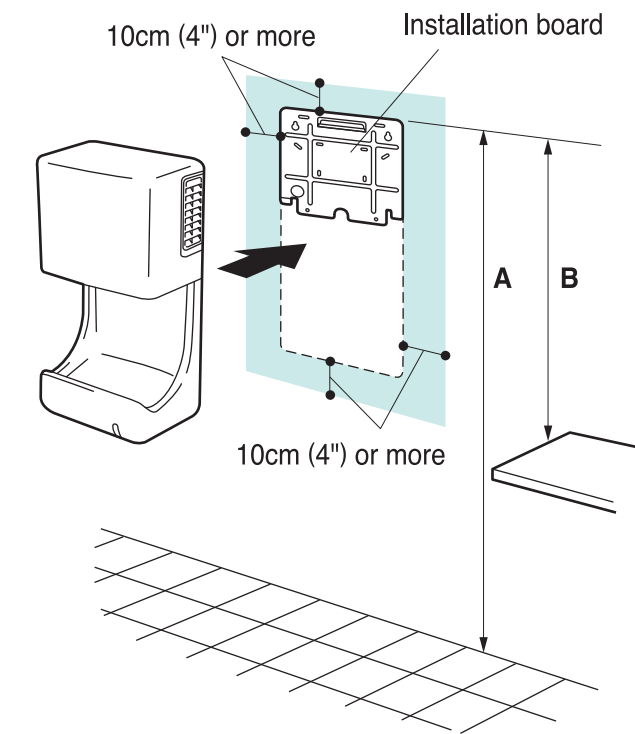


## Accessories

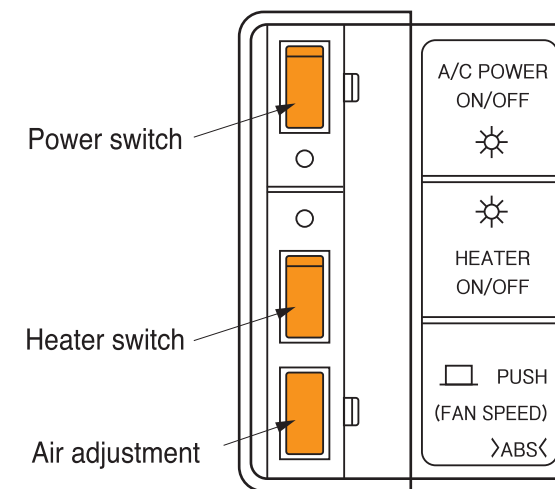
Installation board	1
Wood screw	$\phi$ 3.8×20mm (7/8") (6)
Anchor plug	$\phi$ 4×12mm (1/2") (2)
Tapping screw	$\phi$ 4×12mm (1/2") (2)
Opener	1 (Save this jig after installing the product)

## Recommended installation height

- A** Men 1250mm (49 1/4") | Women 1170mm (46 3/4")
- B** Above the wash basin 500mm (19 7/8")



## Switches (Operation)



Pressing the button changes the air flow (High→Low→Medium)

## Specifications

Voltage / Frequency	Single-phase 120V, 60Hz	
Heater	Hot air ON	Hot air OFF
Airflow	High	
Power consumption	920W	650W
Weight	4.7kg	
Remark	Main body material:ABS resin Main body color:White Power cable:1.8m(AC 120V plug)	

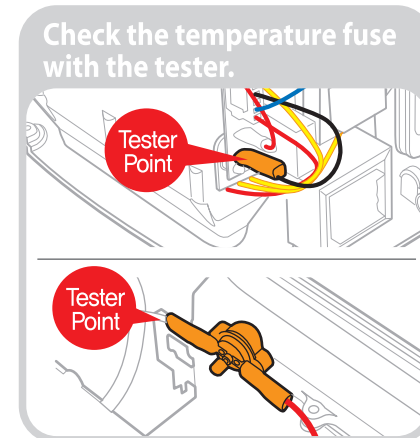
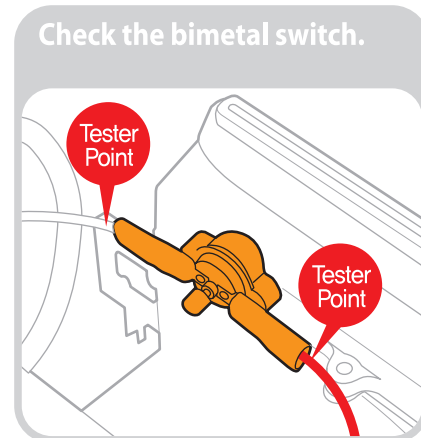
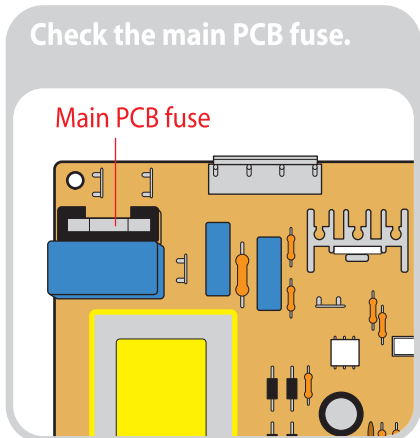
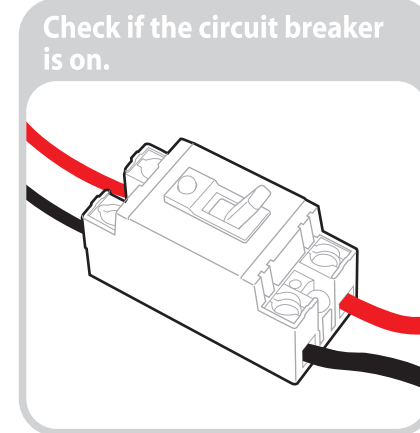
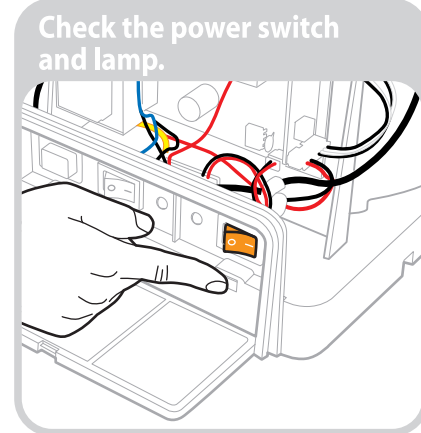
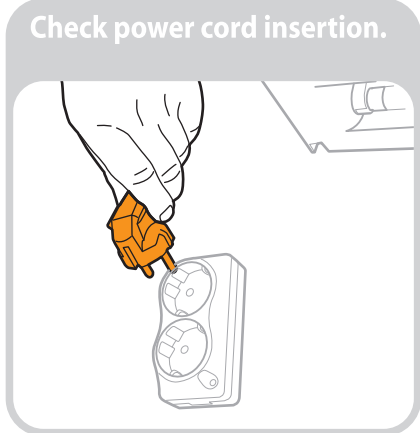
*Hand Dryer*

Maintenance Manual

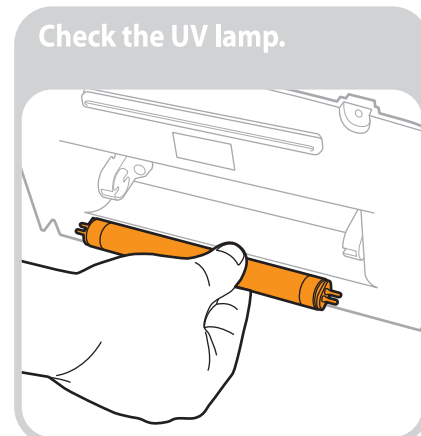
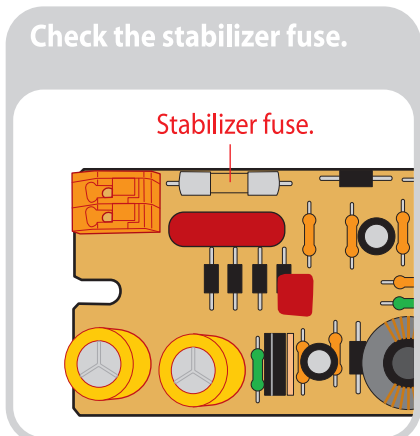
# Problem solving

AIR TOWEL®

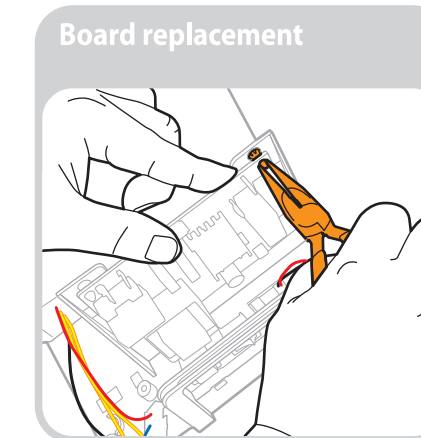
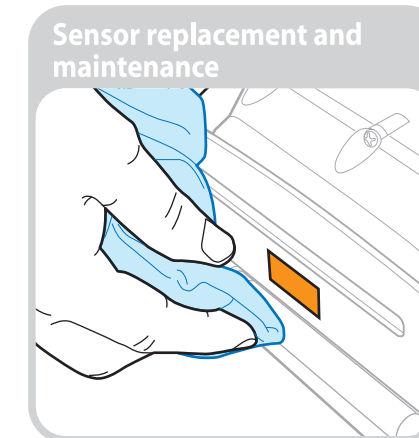
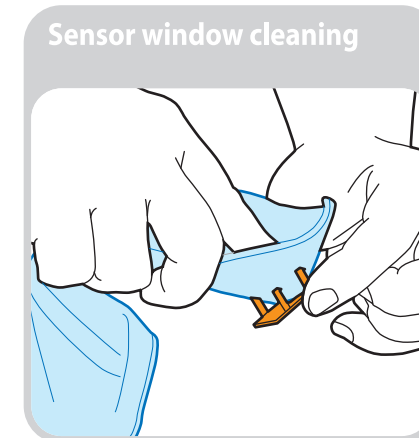
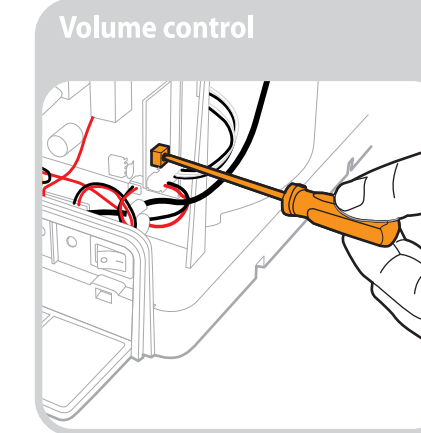
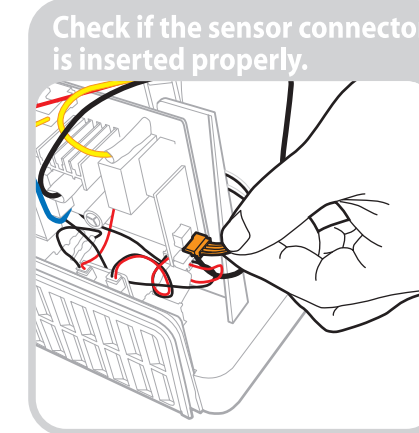
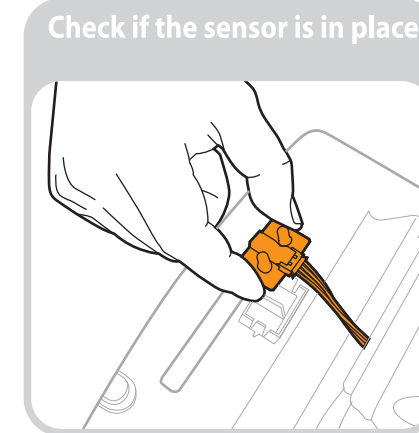
## Power supply failure



## UV lamp failure



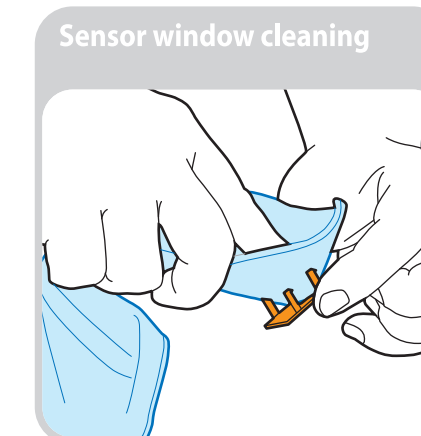
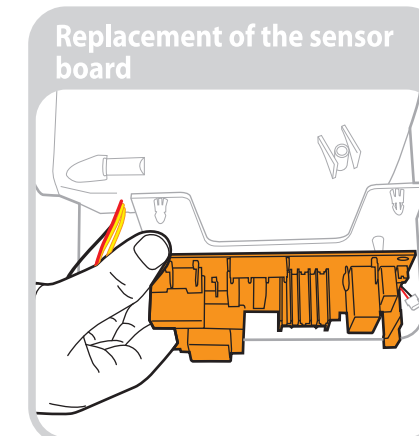
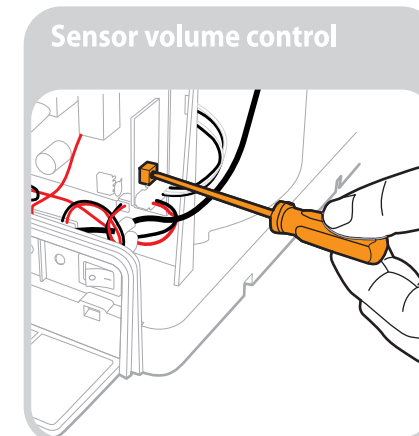
## Functioning without detection



Refer to the main body sensor cleaning (disassembly and assembly) on page 15.

Refer to the board replacement on page 47.

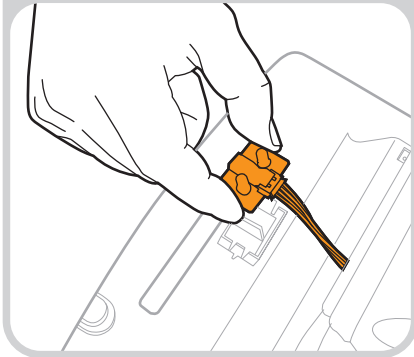
## No functioning for short detection distance



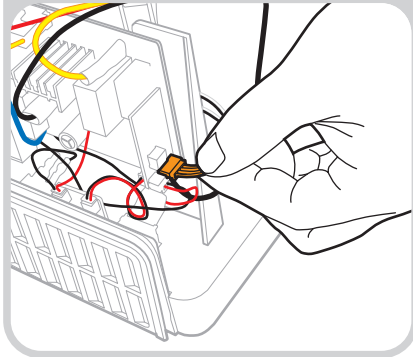
Refer to the board replacement on page 47.

## | No stoppage |

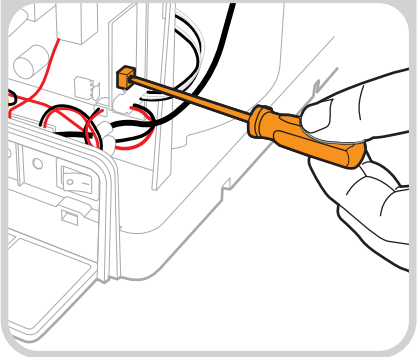
Check if the sensor is in place.



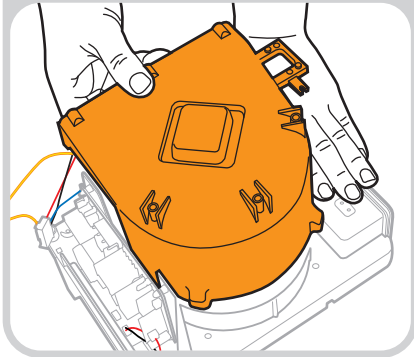
Check if the sensor connector is inserted properly.



Adjust the detection distance.

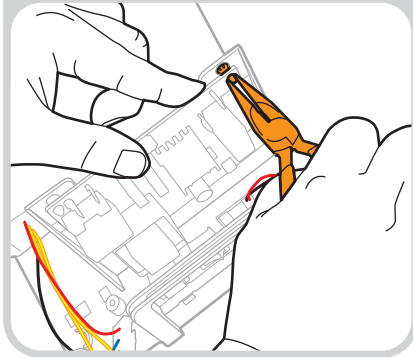


Check if the motor is functioning well.



Refer to the motor maintenance (disassembly and assembly) on page 23.

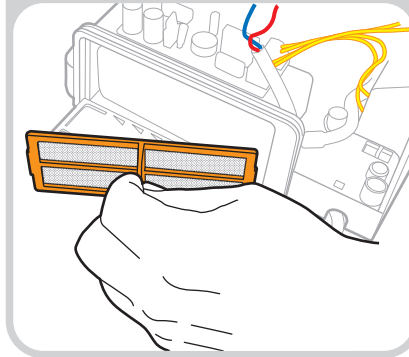
Check the PCB.



Refer to the board replacement on page 47.

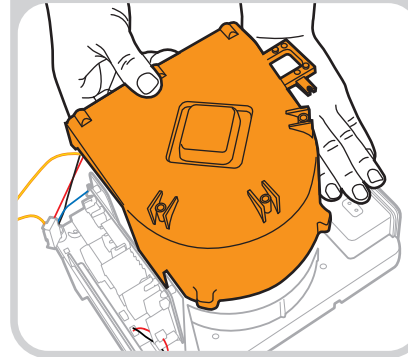
## | Weak wind |

Filter cleaning



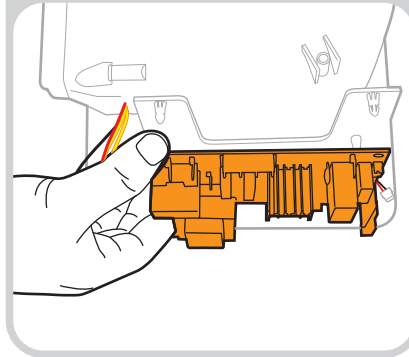
Refer to the filter switch (replacement and check) on page 39.

Motor replacement



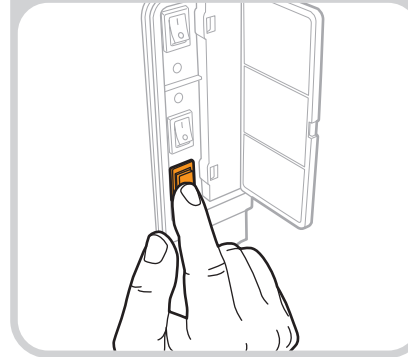
Refer to the motor maintenance (disassembly and assembly) on page 23.

PCB board replacement



Refer to the board replacement on page 47.

Adjust with the speed control switch.



*Hand Dryer*

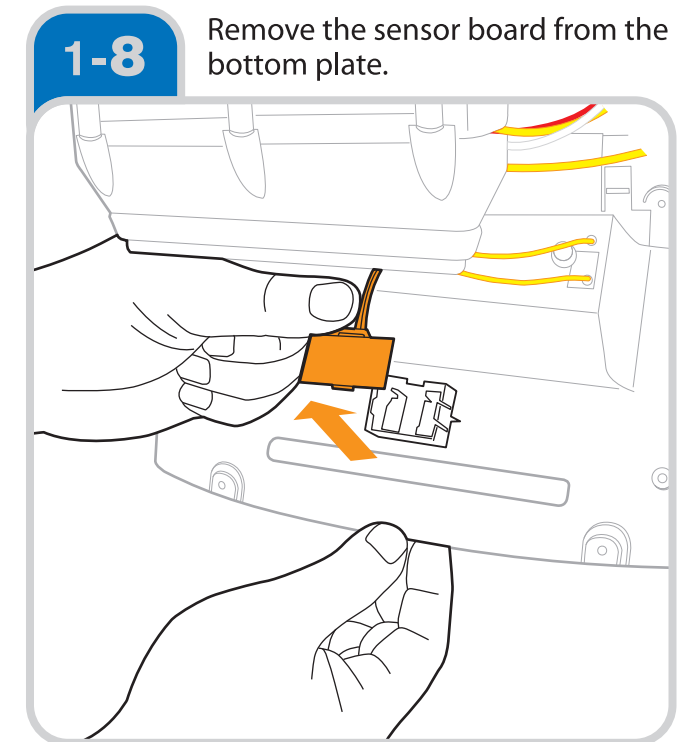
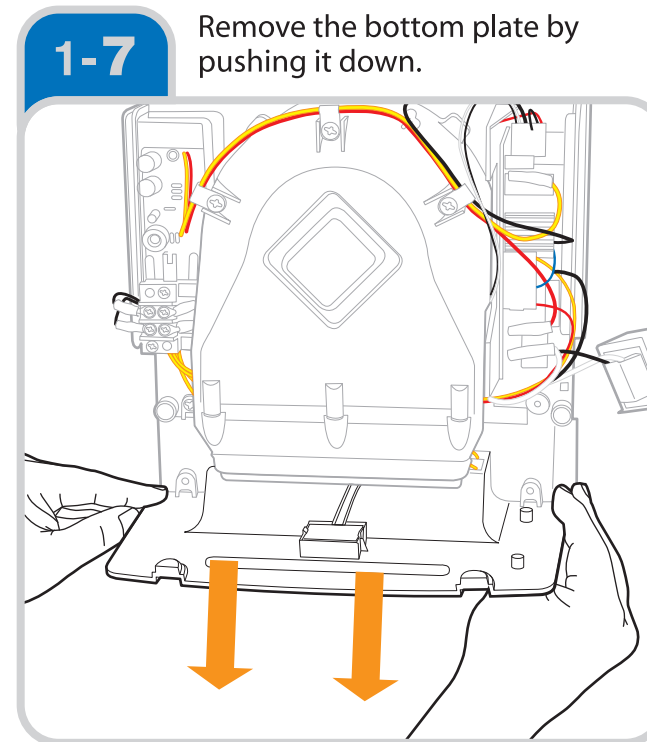
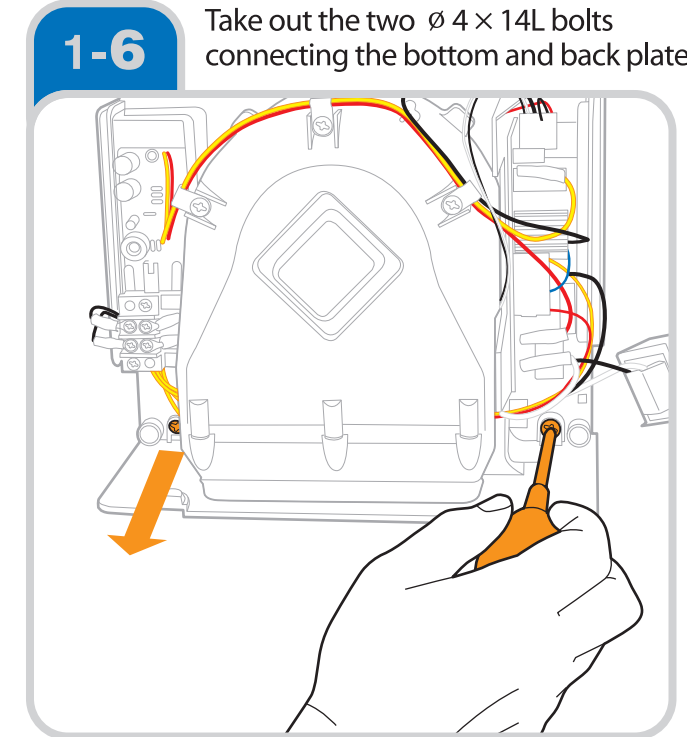
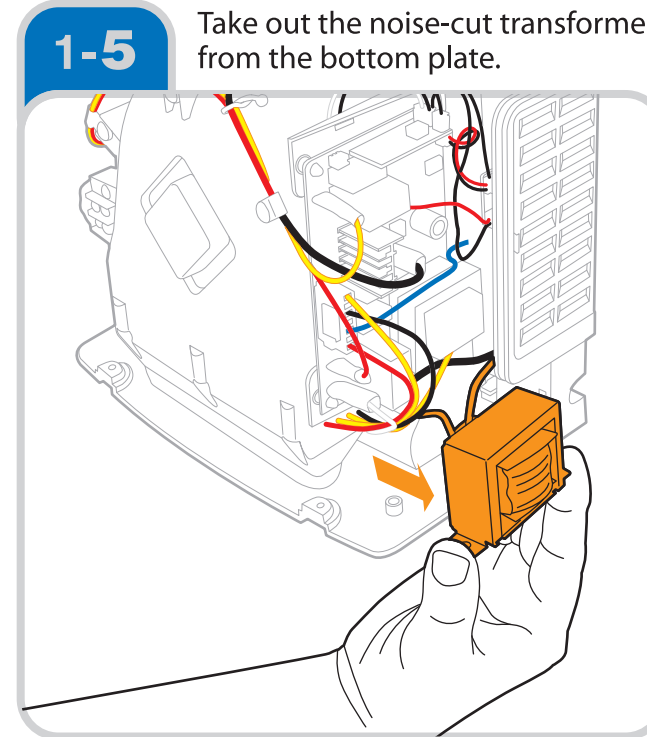
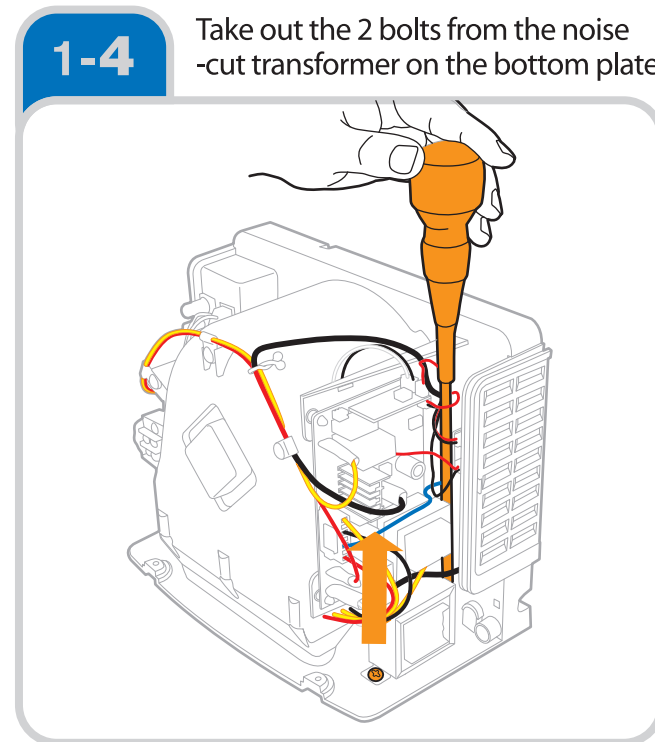
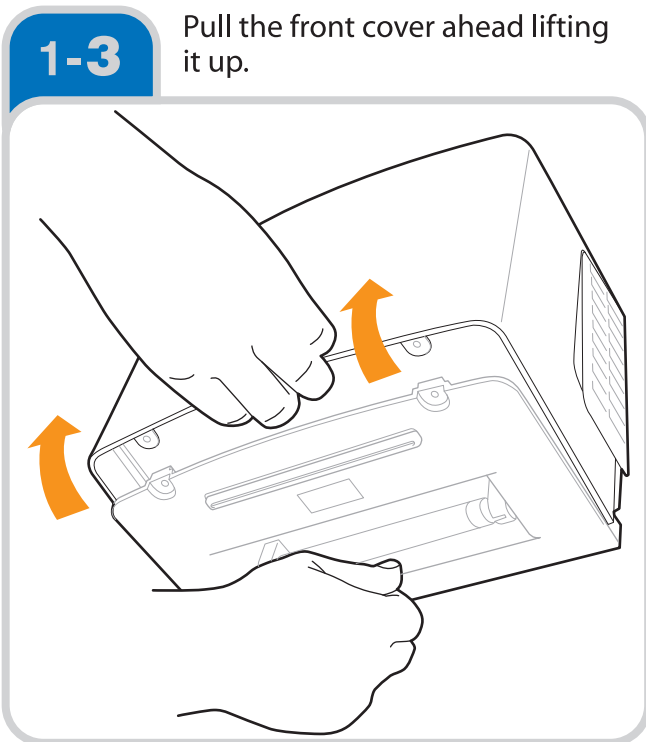
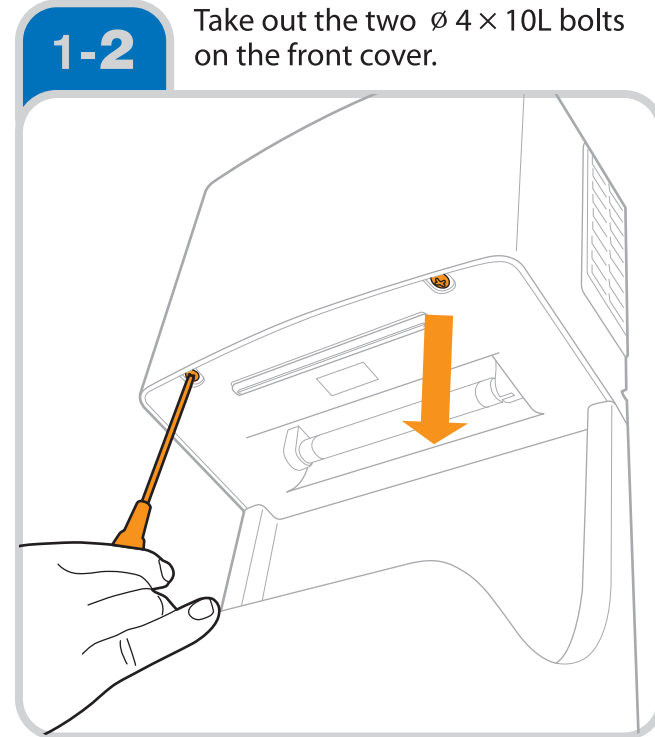
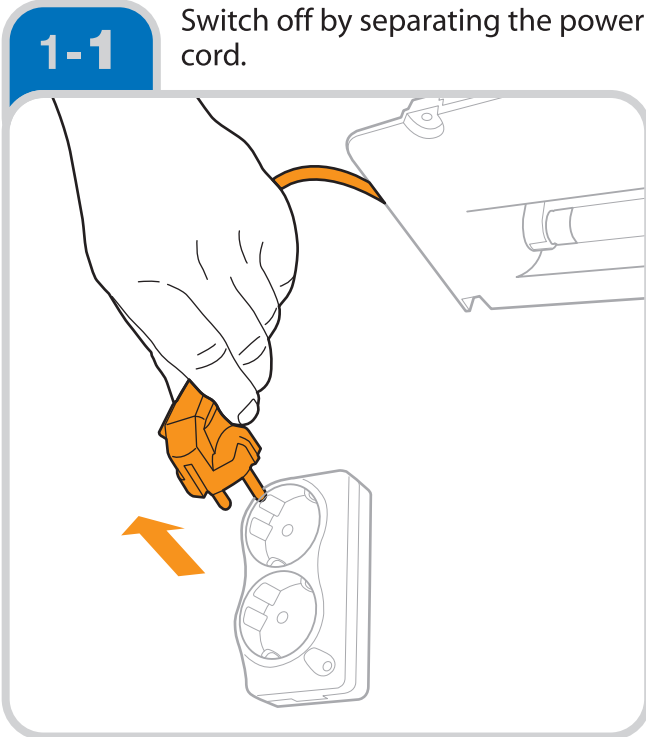
Maintenance Manual

# Main sensor cleaning

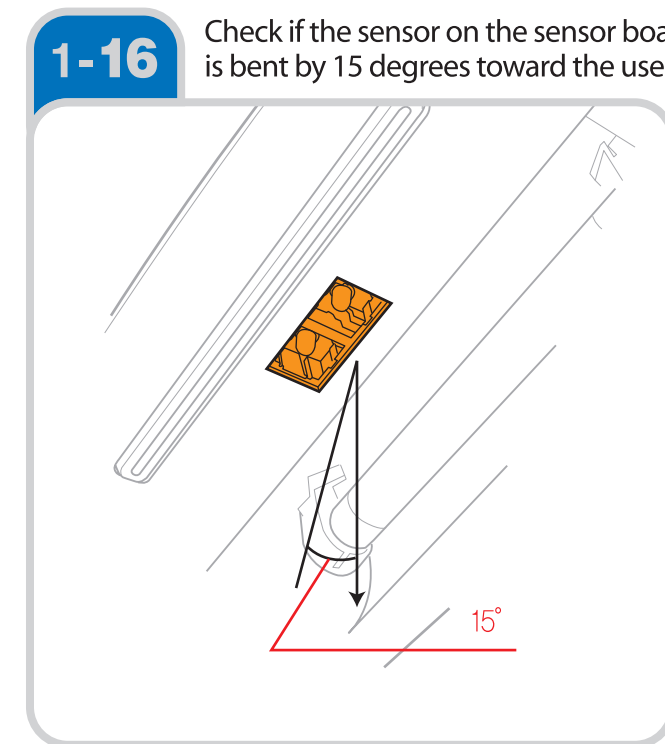
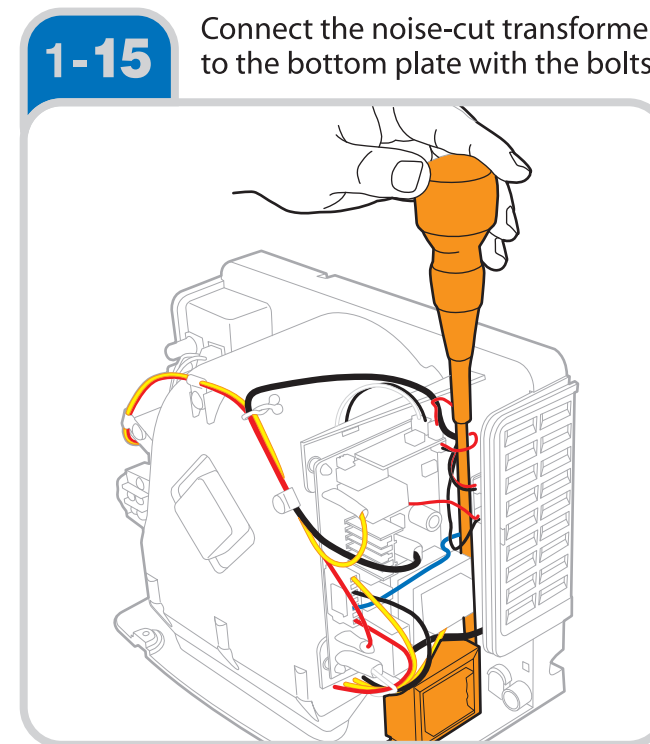
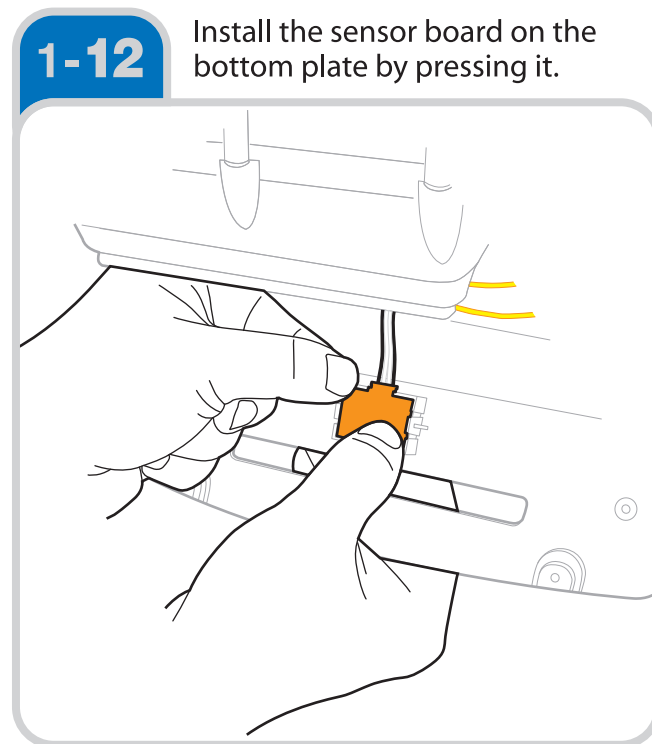
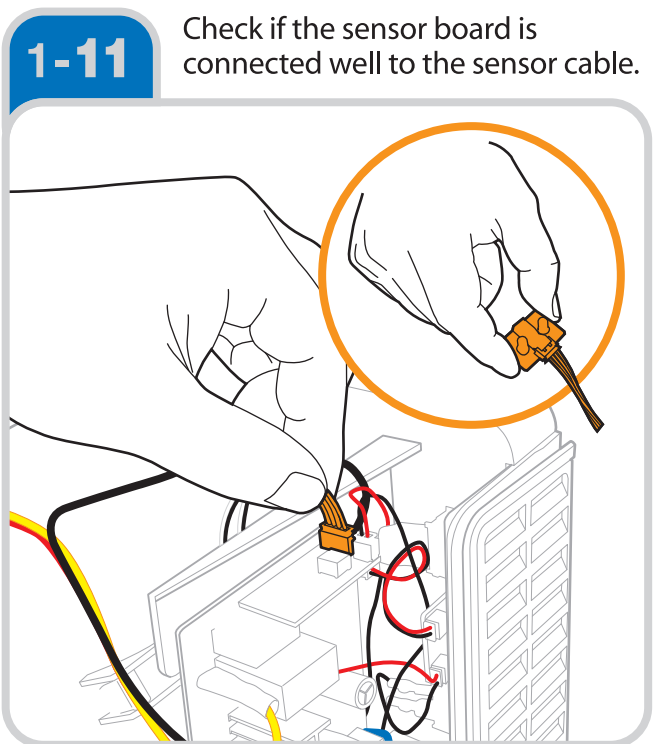
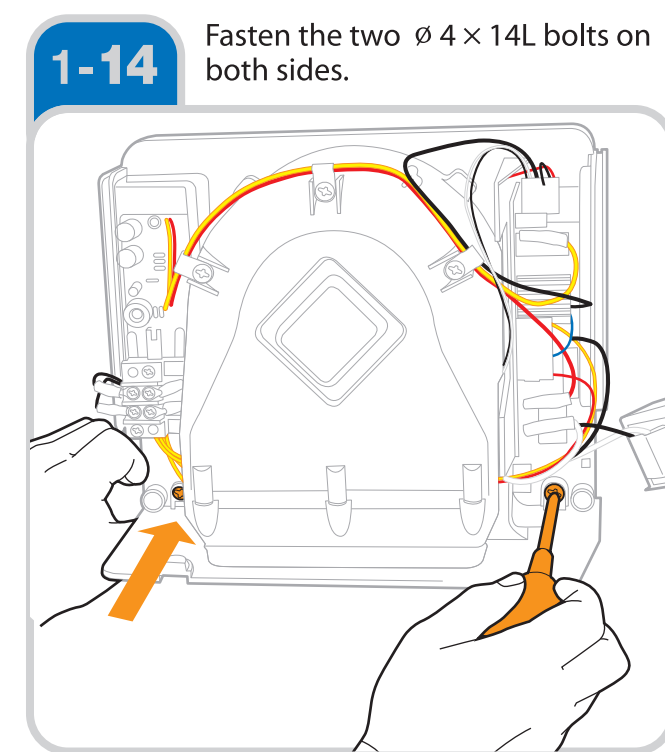
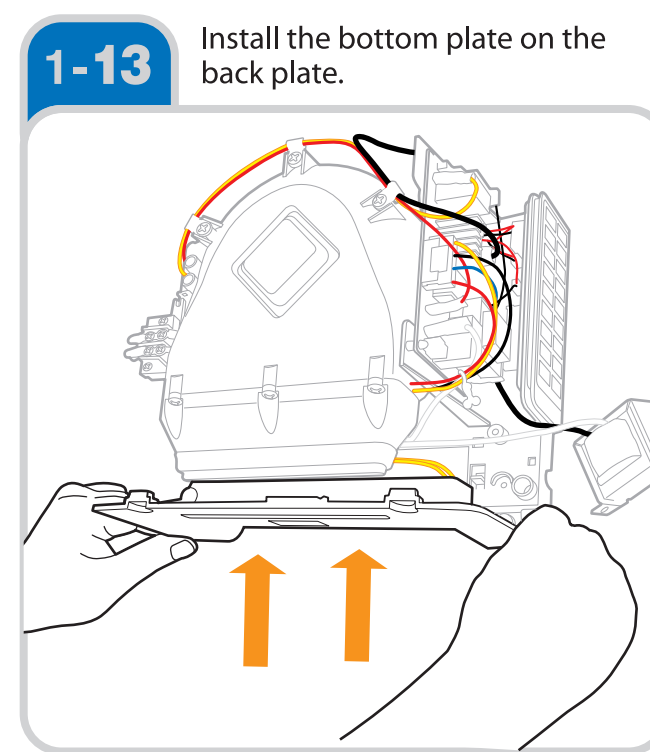
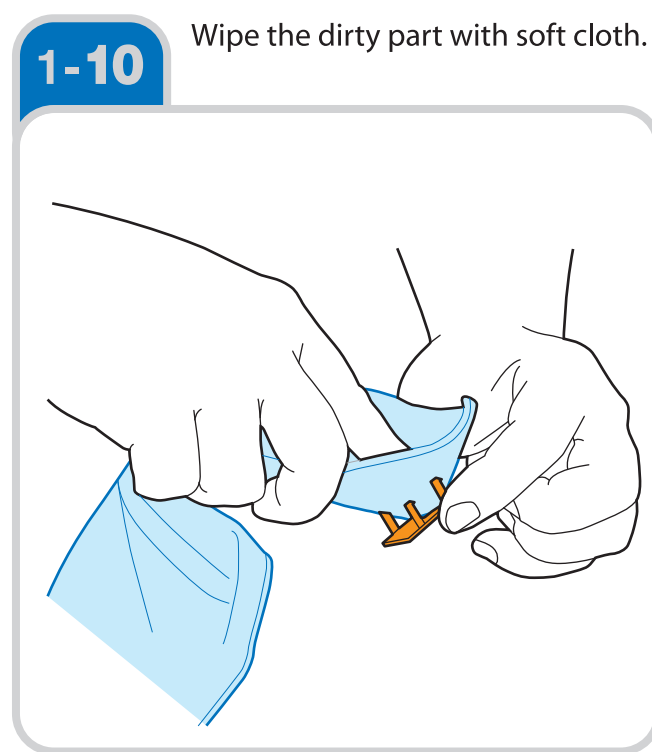
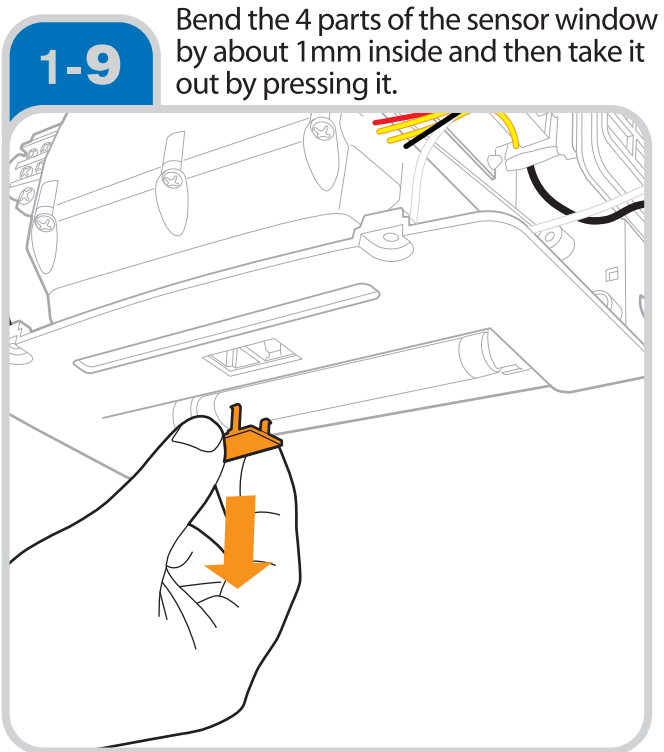
(disassembly and assembly)

AIR TOWEL®





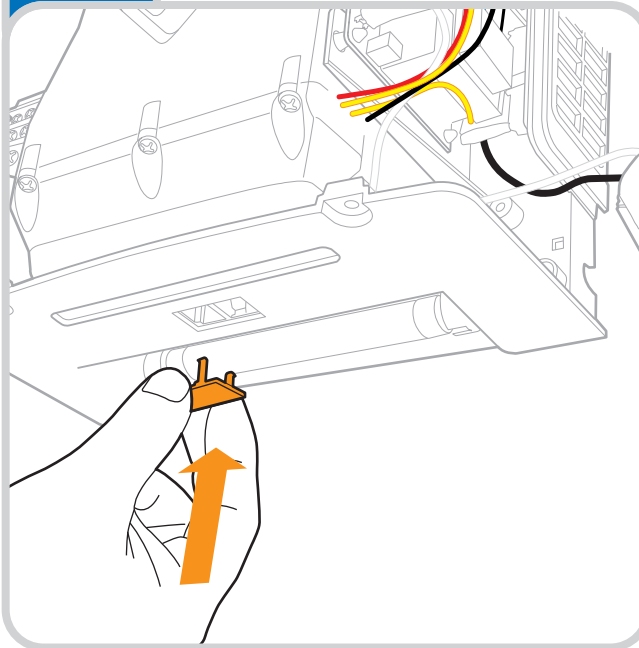
► Be careful not to damage the connection between the sensor board and the bottom plate.



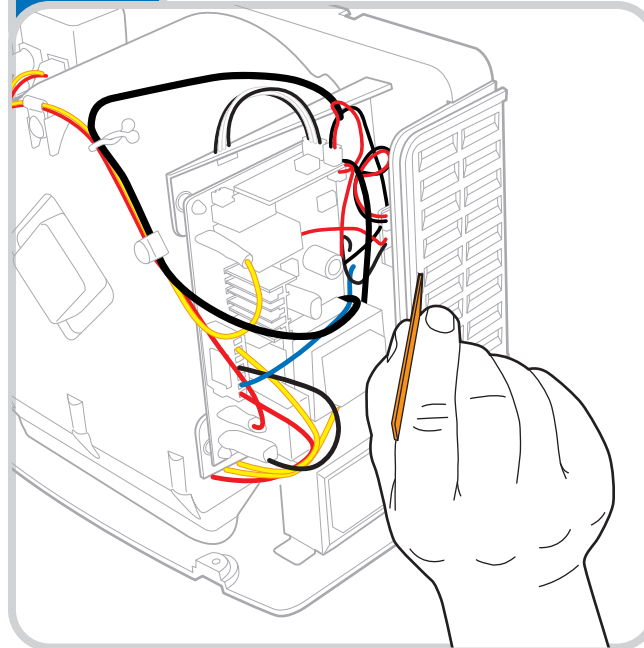
▶ Check if the sensor board comes off.



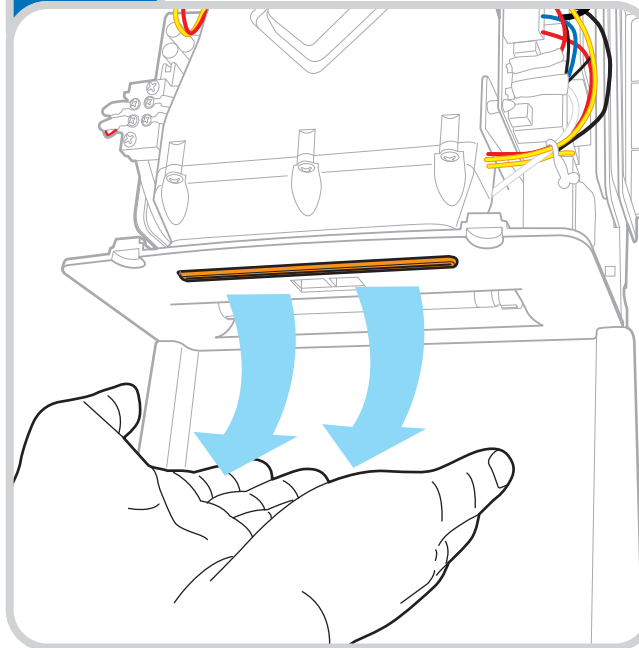
**1-17** Insert the sensor window into the bottom plate and connect them.



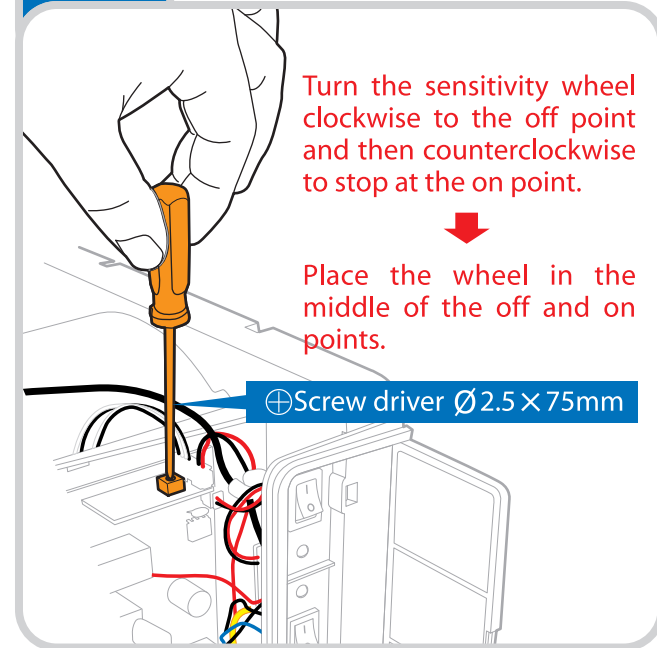
**1-18** Open the switch box cover with the opener.



**1-21** See if the hand is sensed 120mm below the bottom plate.

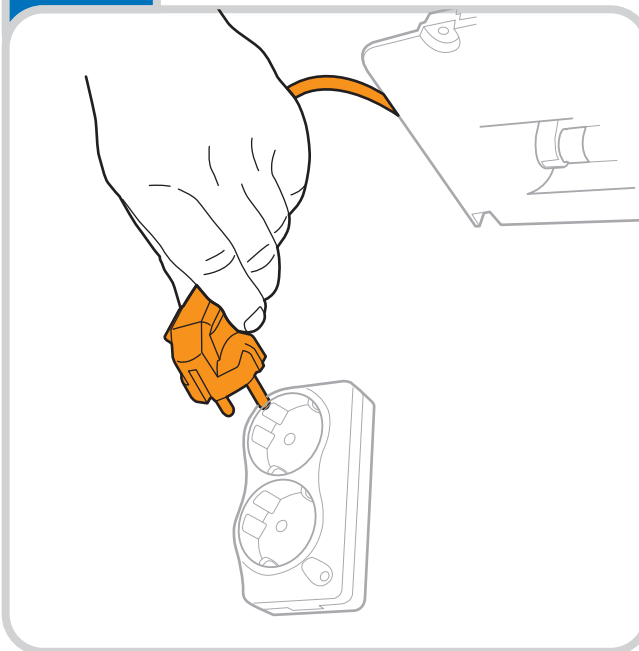


**1-22** Adjust the distance by turning the sensitivity wheel on the main board if necessary.

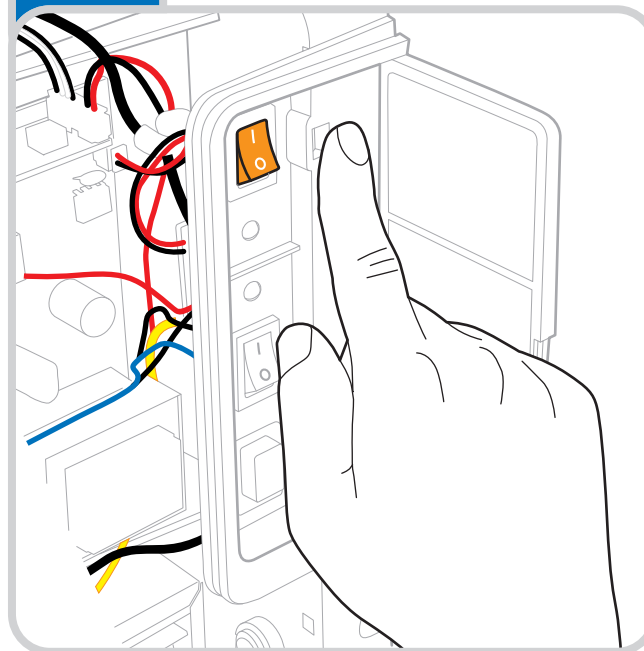


↻ Clockwise - the sensing length shortens.  
↻ Counterclockwise - the length extends.

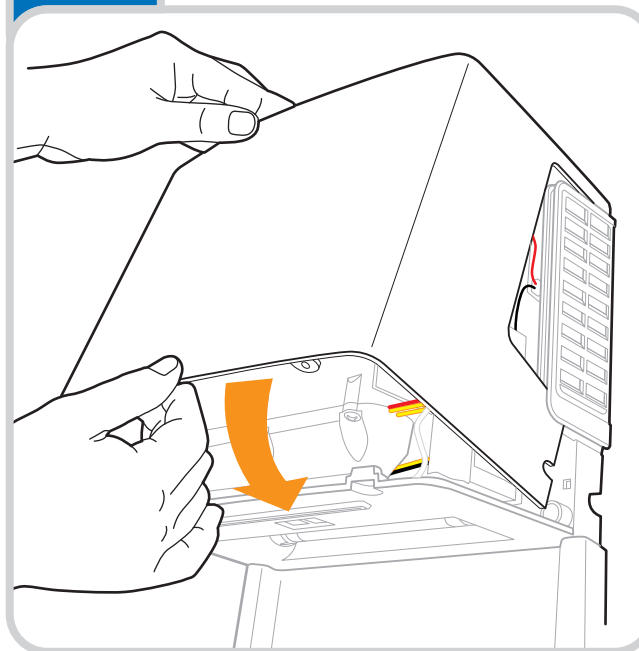
**1-19** Supply power.



**1-20** Switch on.



**1-23** Bolt the front cover with the bottom plate from above.



*Hand Dryer*

Maintenance Manual

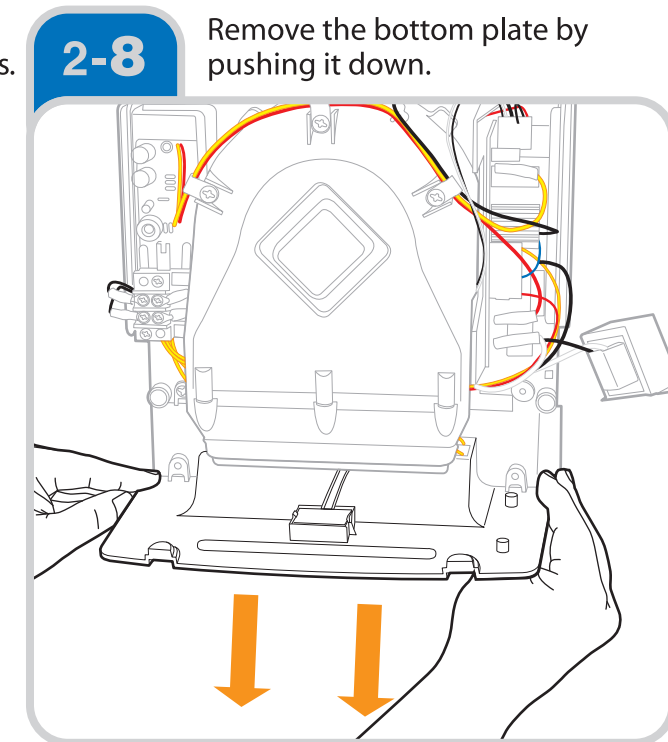
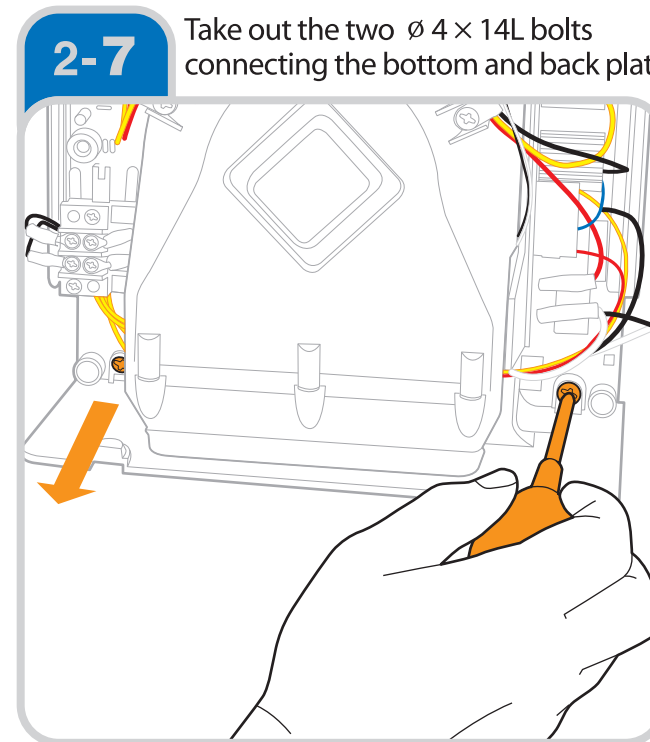
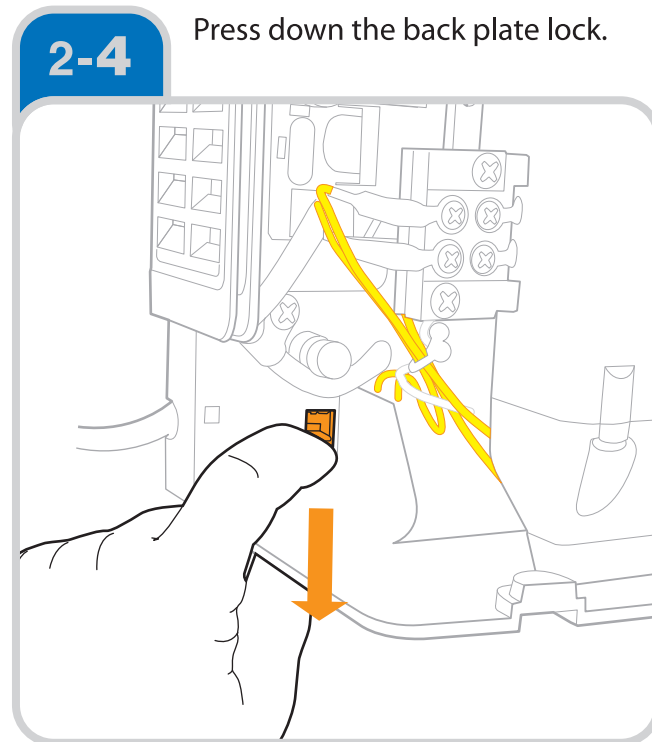
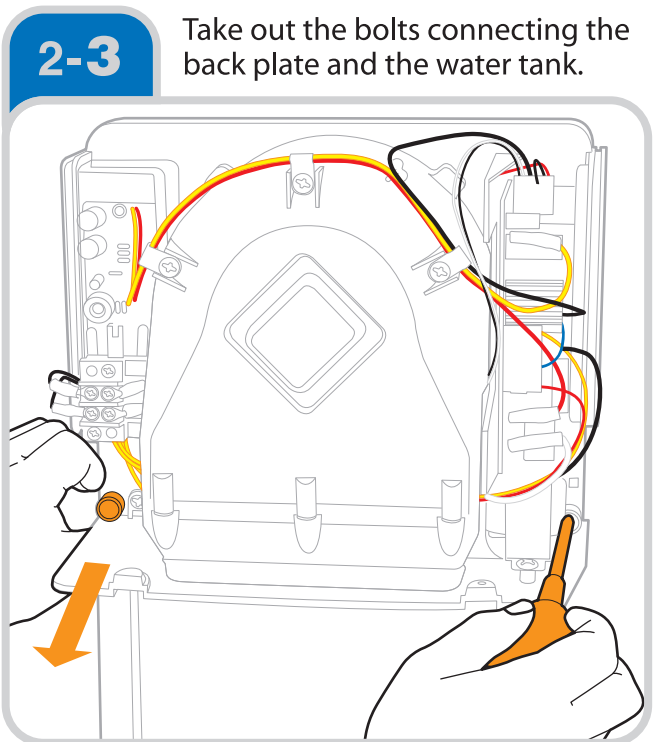
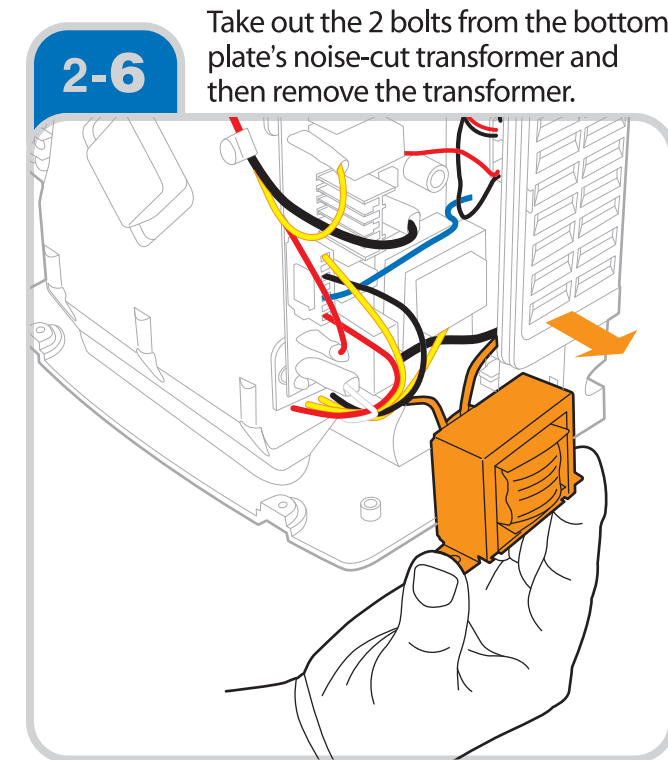
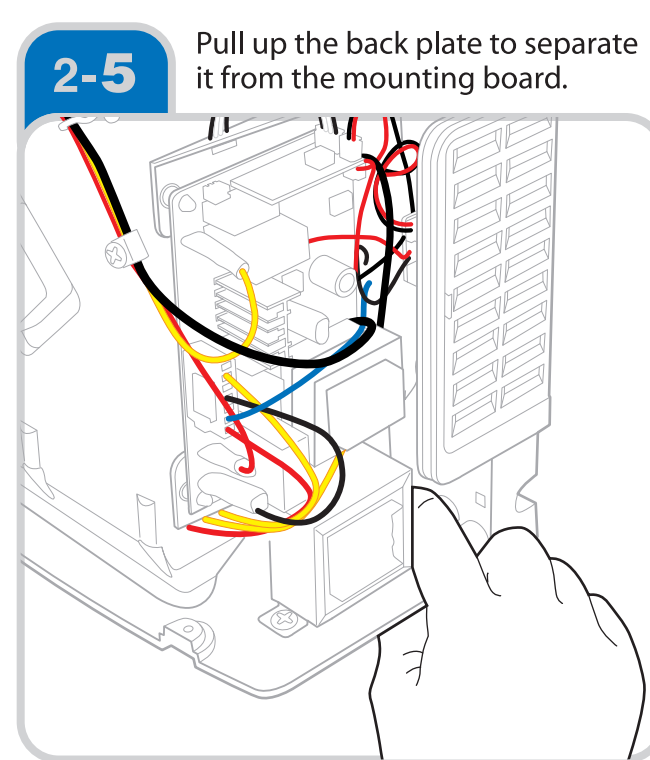
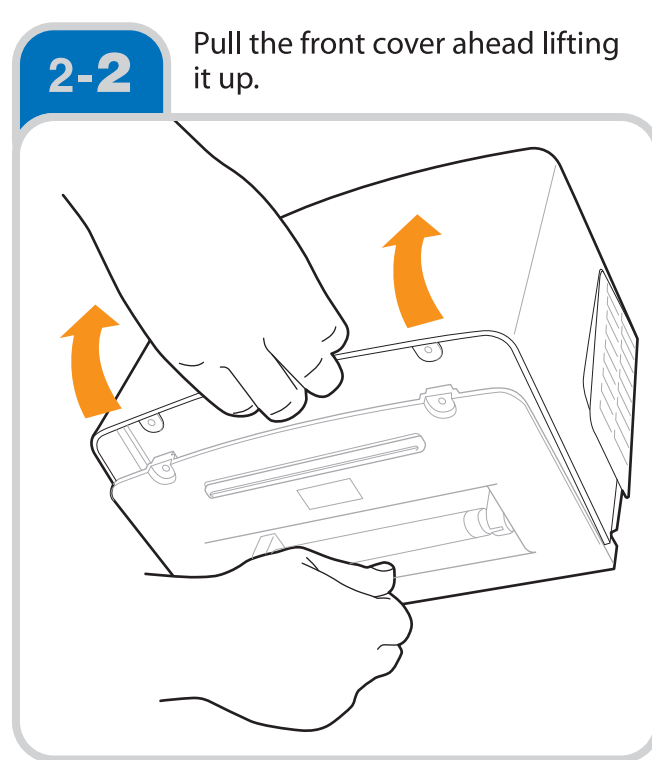
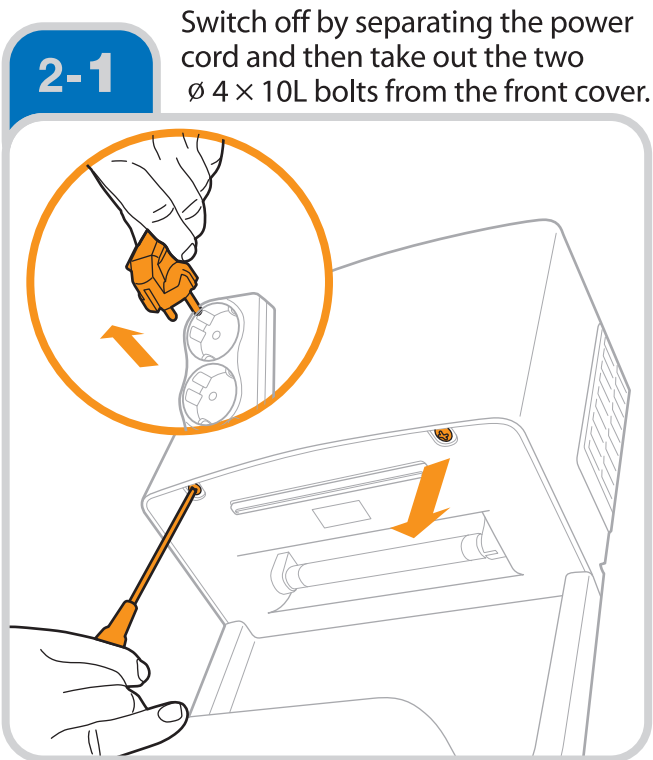
# Motor maintenance

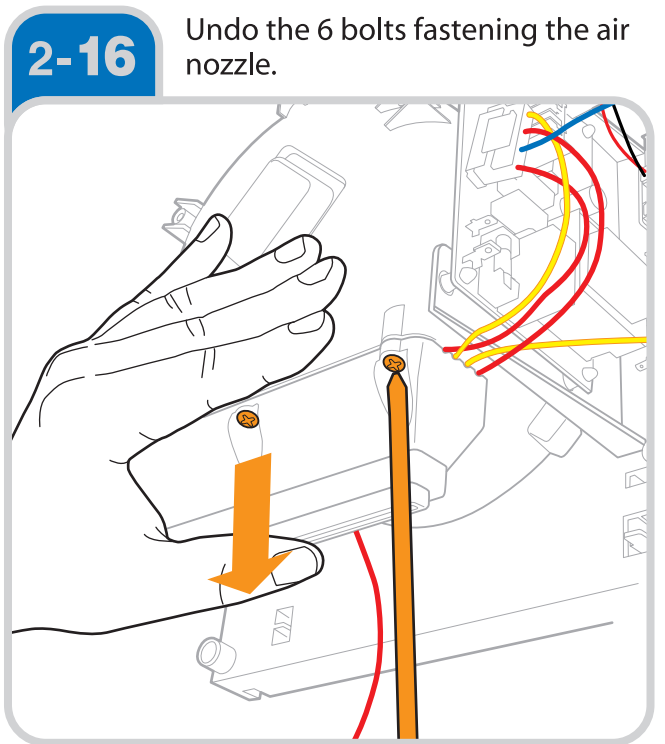
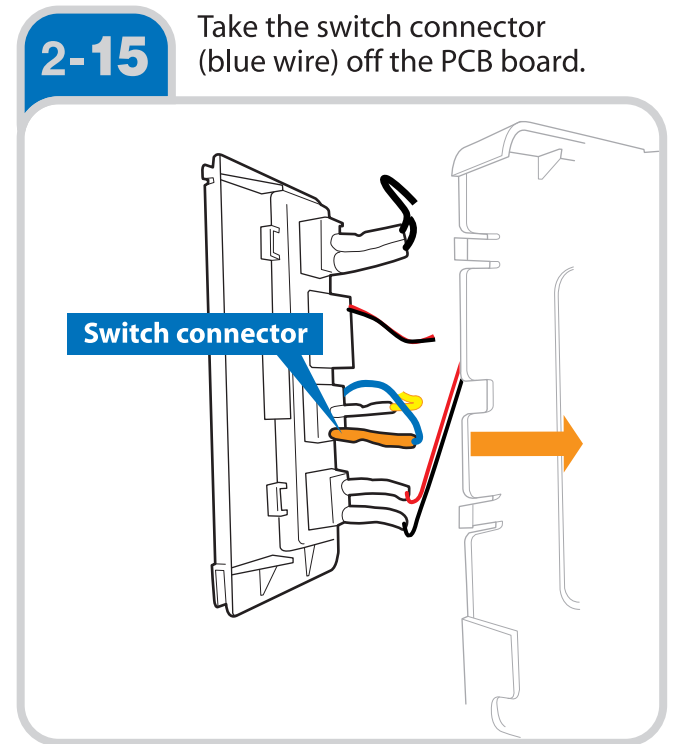
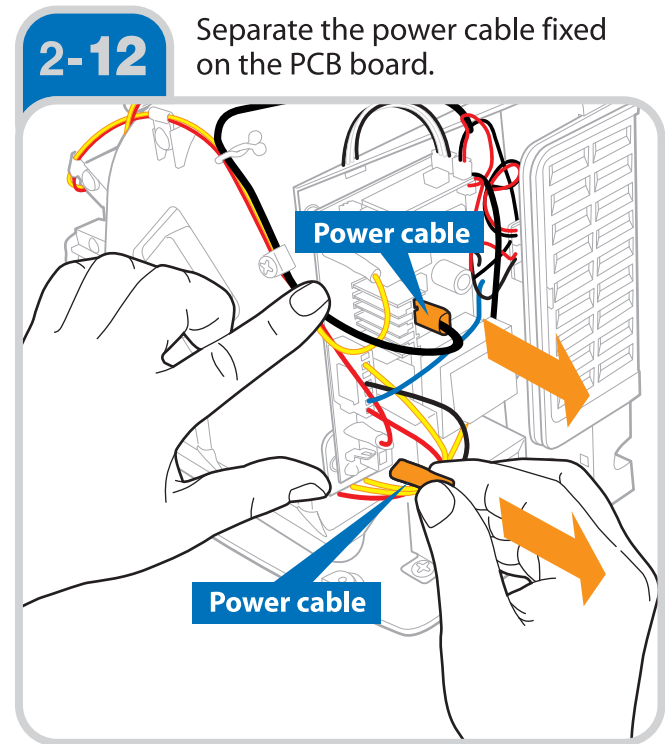
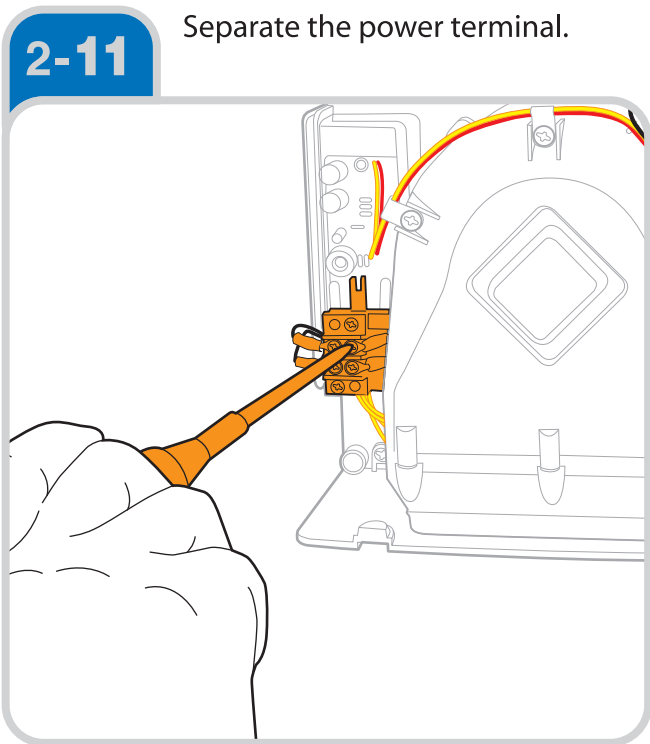
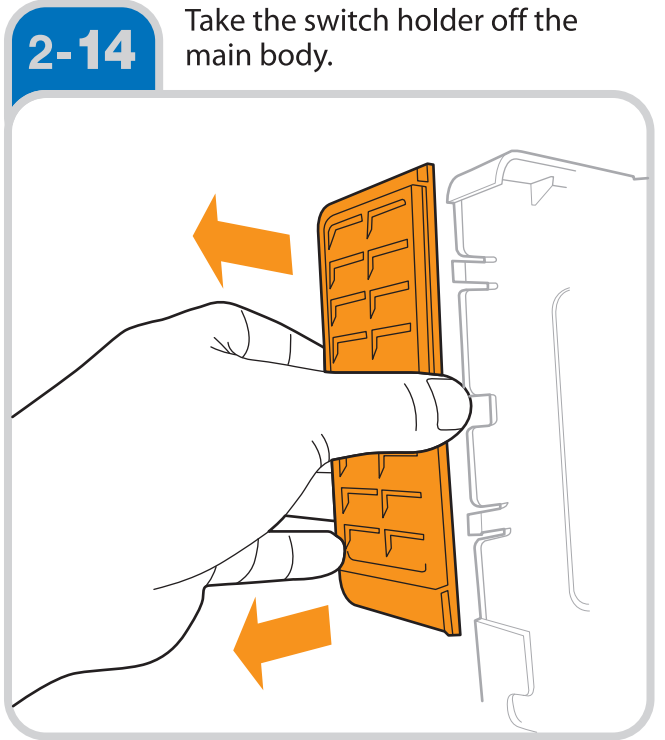
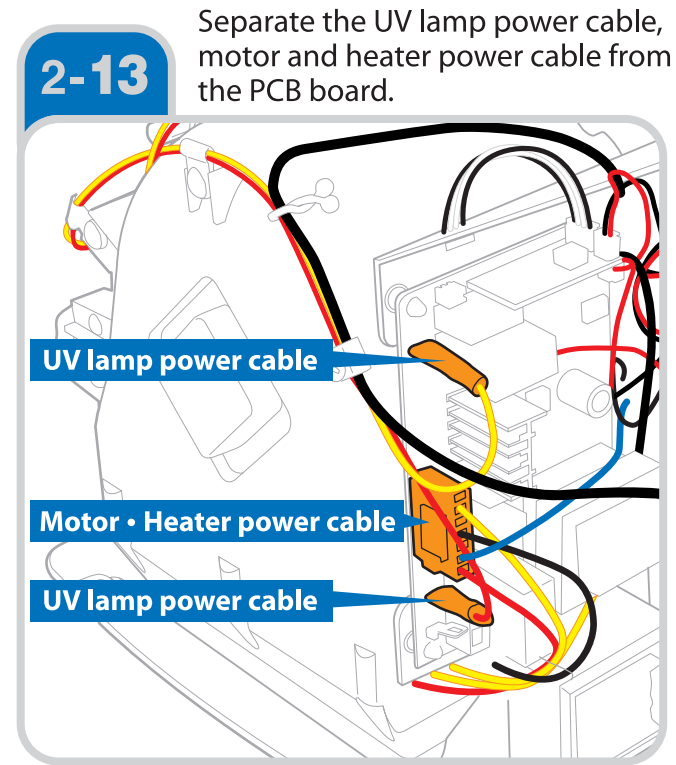
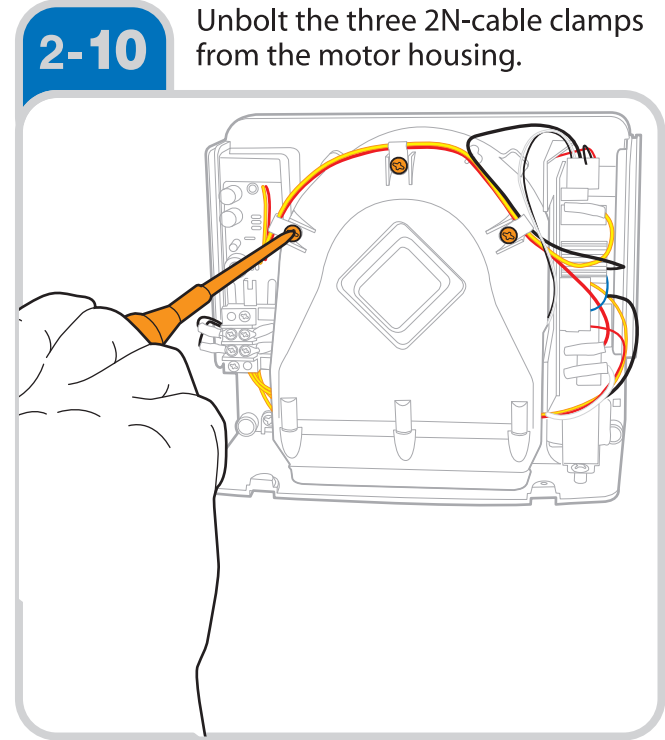
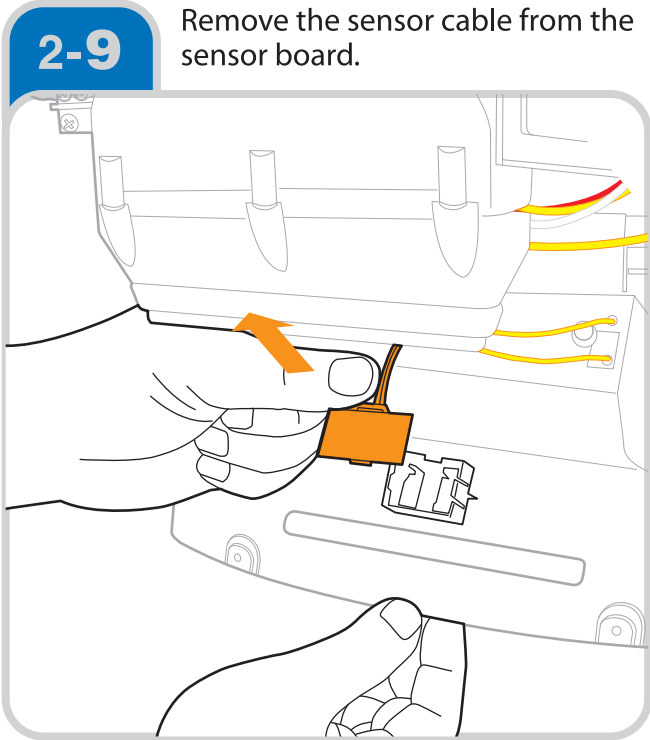
(disassembly and assembly)

AIR TOWEL®

Motor maintenance

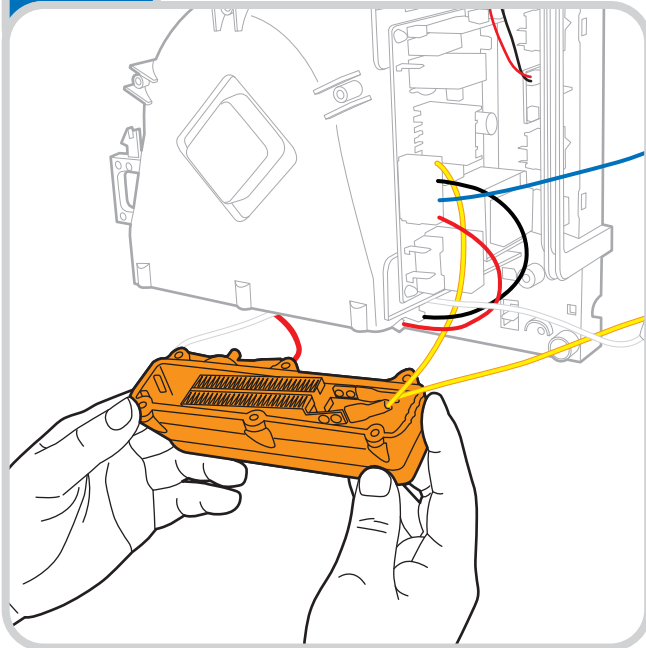
Motor maintenance



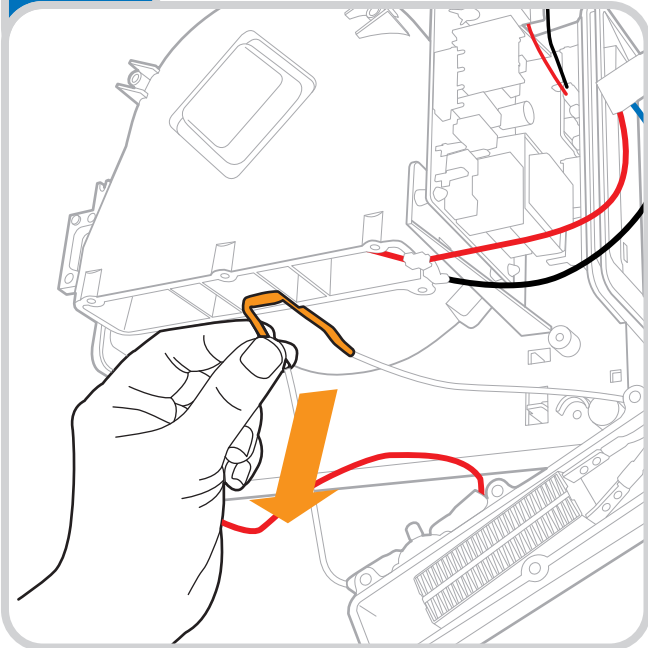




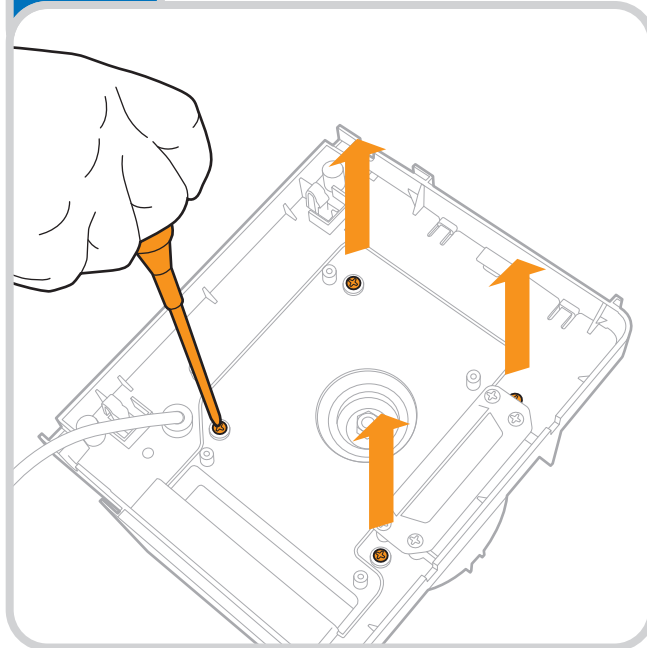
**2-17** Take the nozzle out of the air nozzle section.



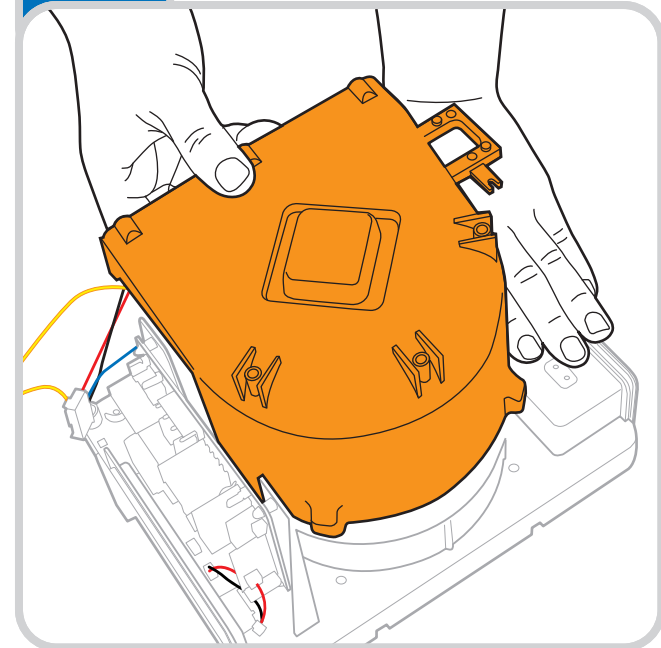
**2-18** Remove the temperature fuse.



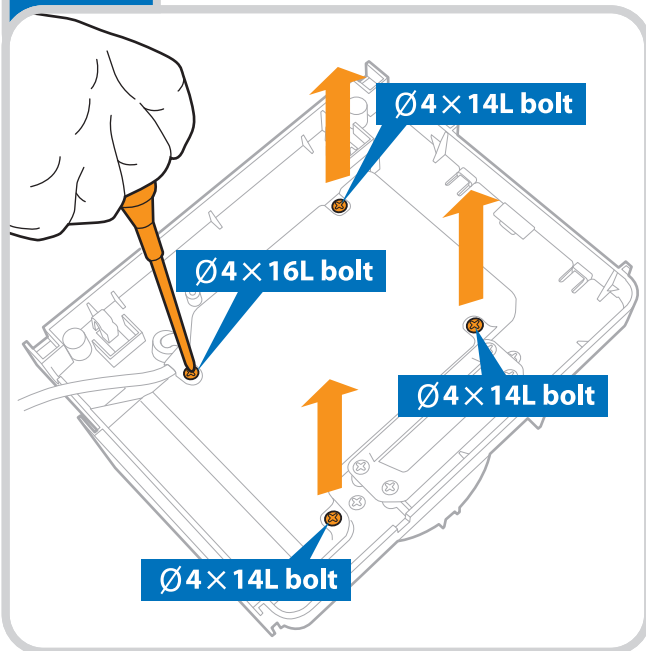
**2-21** Undo the 4 bolts fastening the motor housing.



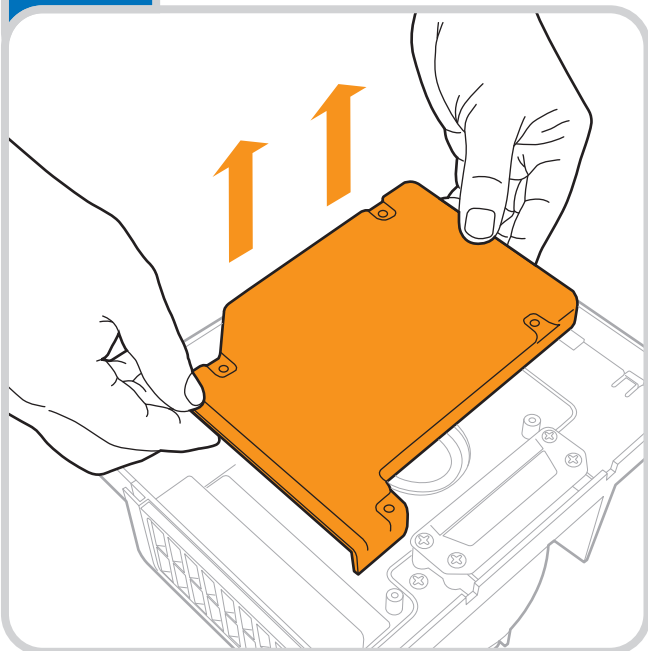
**2-22** Separate the motor housing.



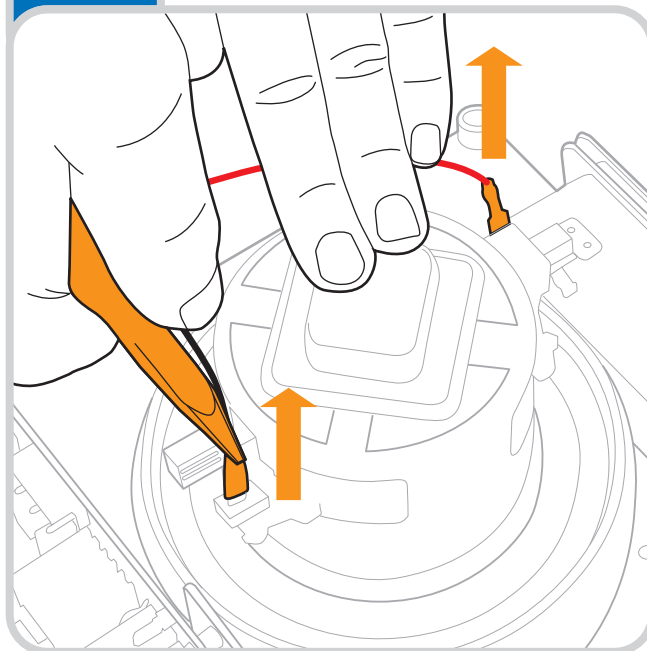
**2-19** Undo the 4 bolts on the back of the back plate.



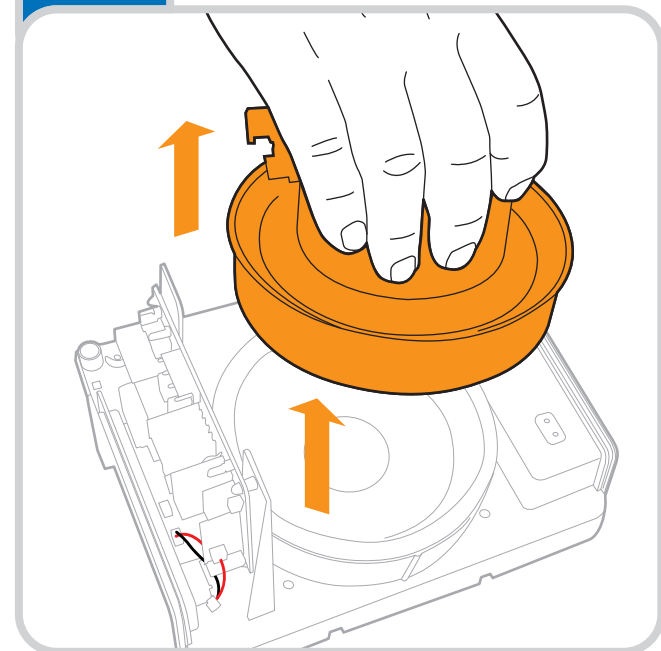
**2-20** Remove the back plate cover.



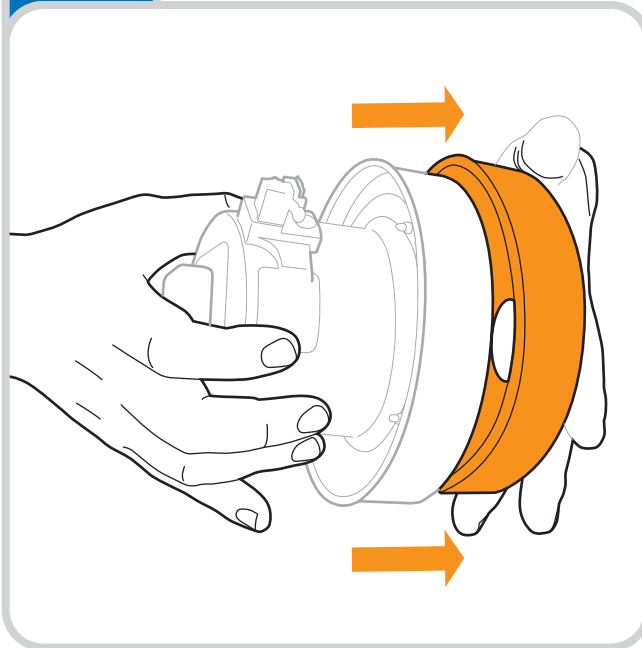
**2-23** Remove the connector linked to the motor housing with the long nose.



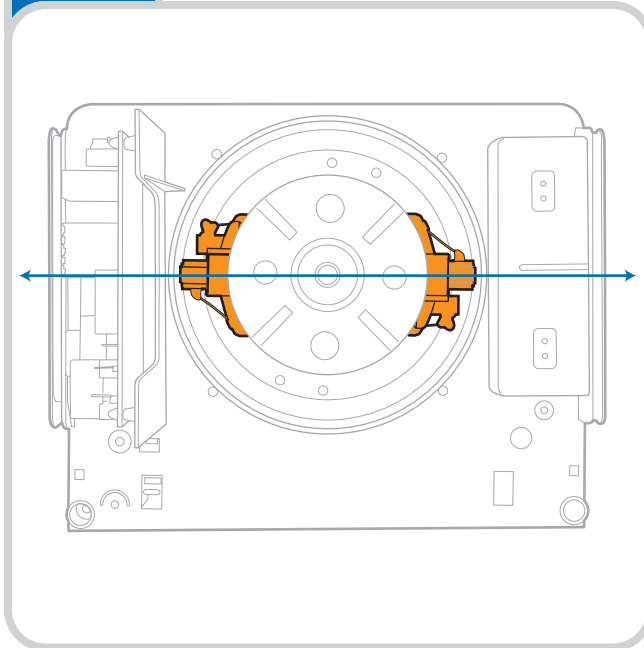
**2-24** Separate and replace the motor.



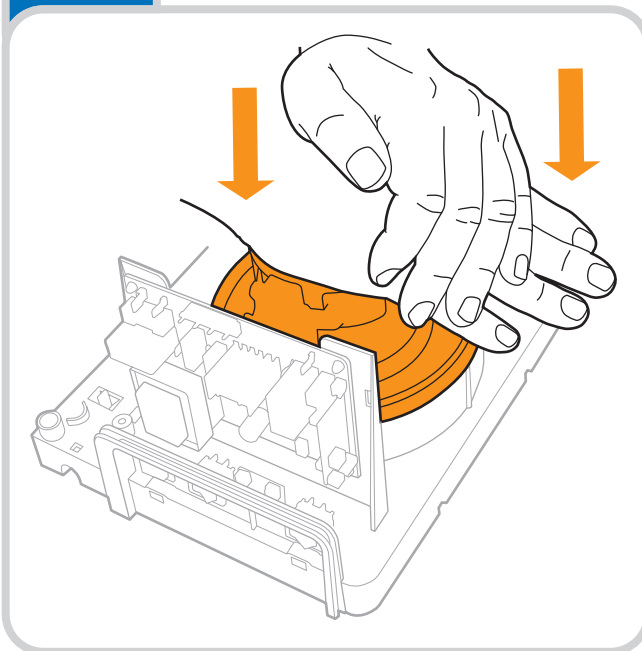
**2-25** Connect the motor rubber with the motor.



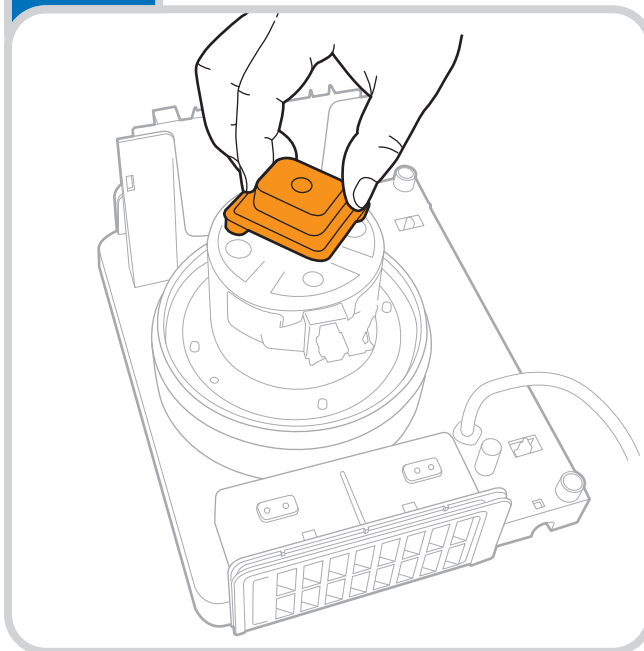
**2-26** Both terminals of the motor should be level when the motor set is linked to the back plate.



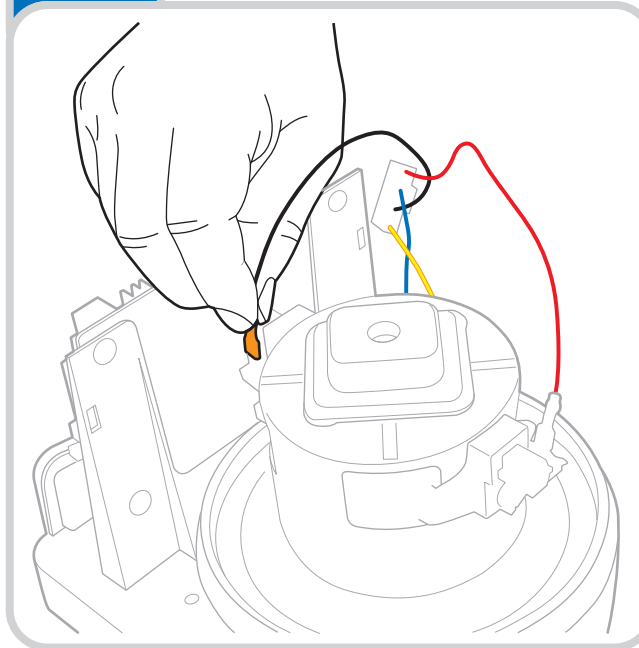
**2-27** Press the upper part of the motor to connect it with the main body.



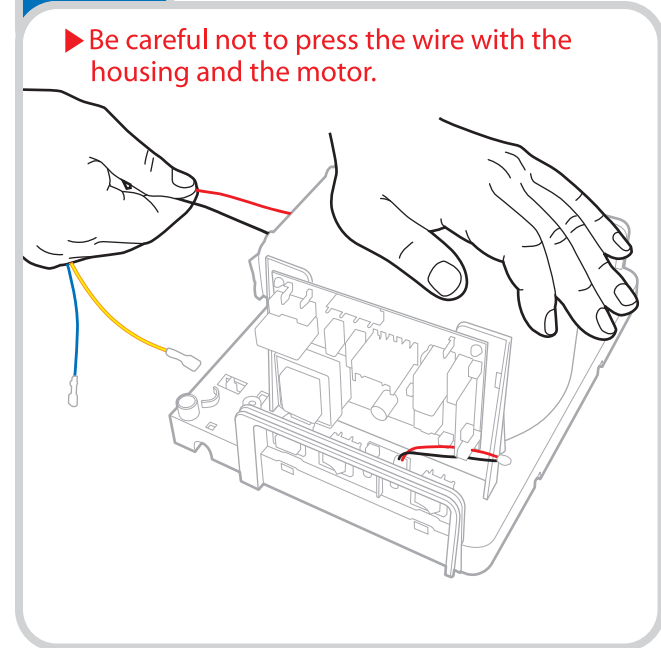
**2-28** Link the 2nd motor rubber with the motor.



**2-29** Connect the wire to the motor and take it out through the left of the nozzle joint on the housing.

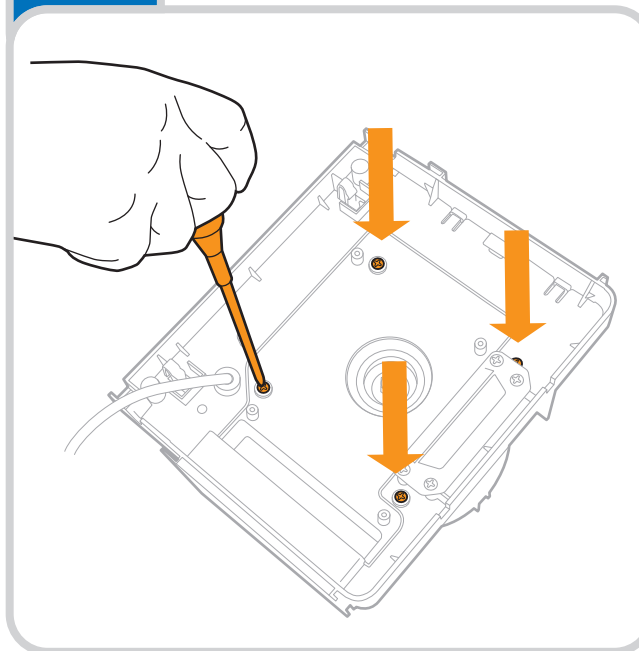


**2-30** Cover the motor housing pulling the motor wire slightly.

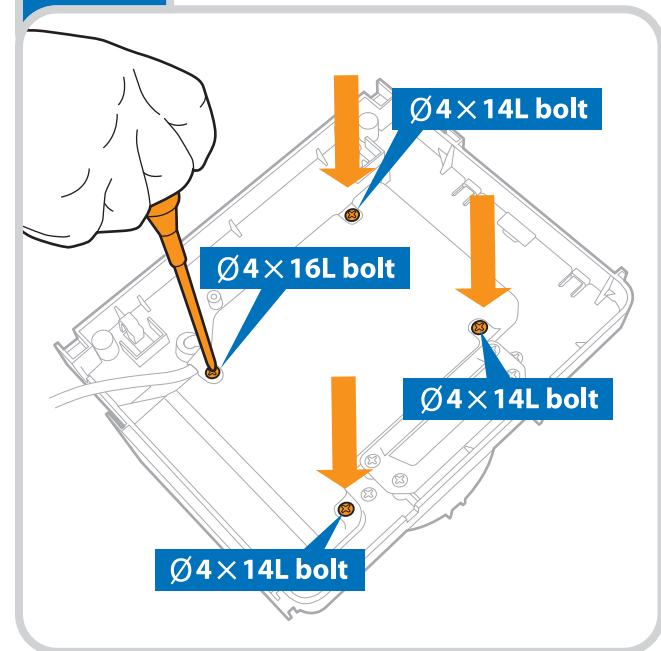


If the connection is not full with a gap between the housing and the back plate, do the 26 to 30 over.

**2-31** Fasten the motor housing with four  $\varnothing 5 \times 16L$  bolts.



**2-32** Assemble the back plate cover and then fasten it with four bolts.

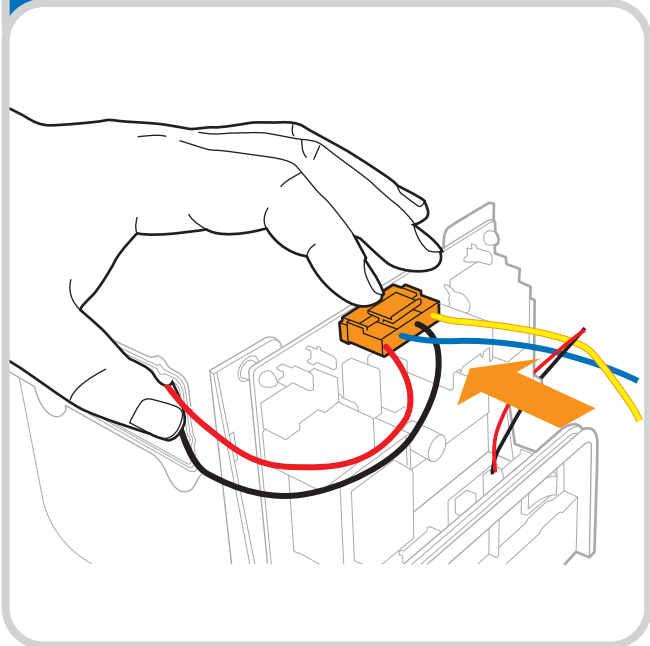




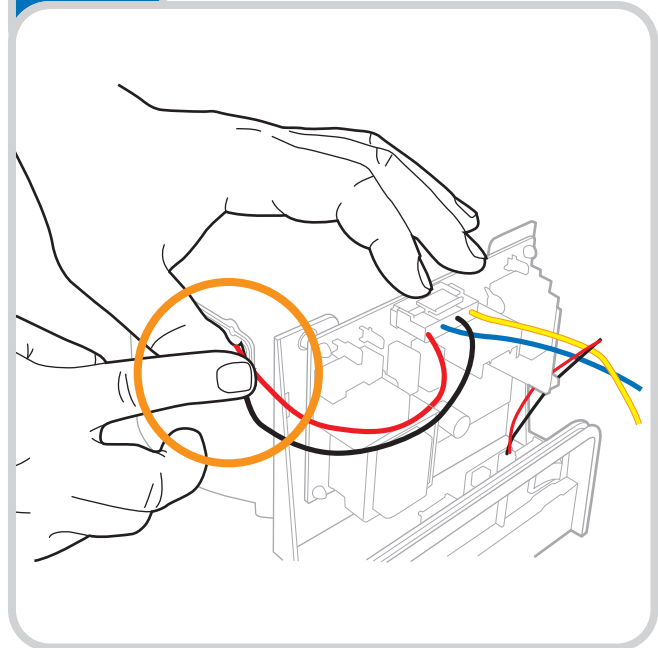
Motor maintenance

Motor maintenance

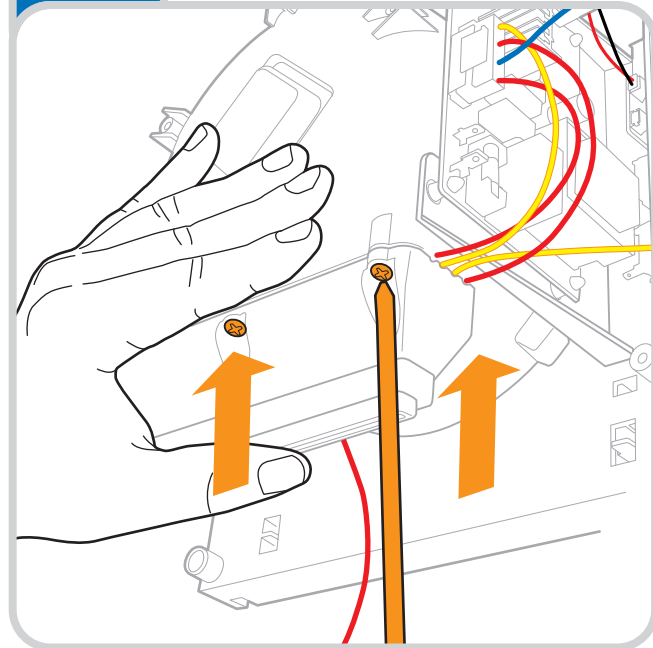
**2-33** Hang the motor cable on the upper and lower holes on the housing's right side for PCB connection.



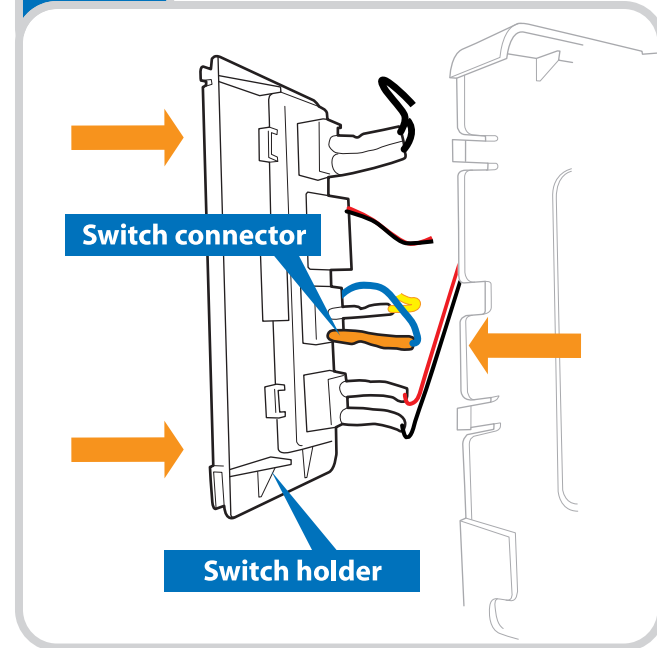
**2-34** Fasten the wire with sponge taped on both sides.



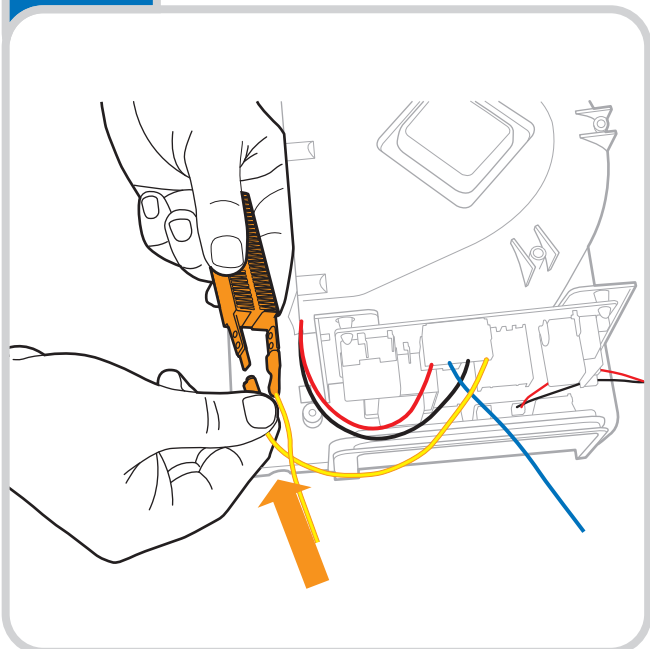
**2-37** Fasten the air nozzle on the motor housing with 6 bolts.



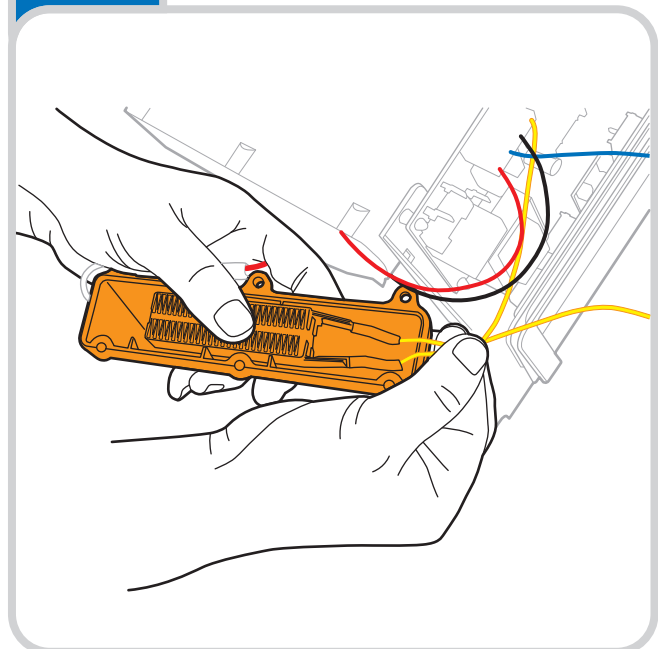
**2-38** Connect the switch connector (blue wire on the PCB board) and then the switch holder to the main body.



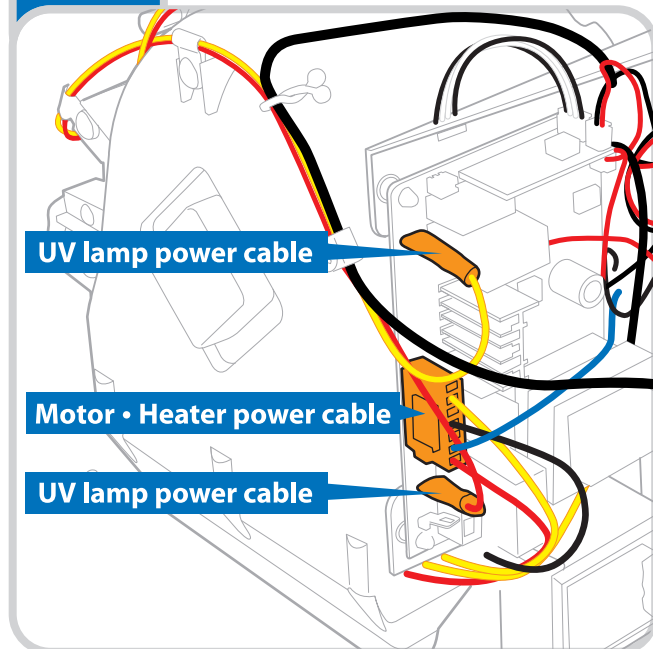
**2-35** Connect the heater wire with the heater.



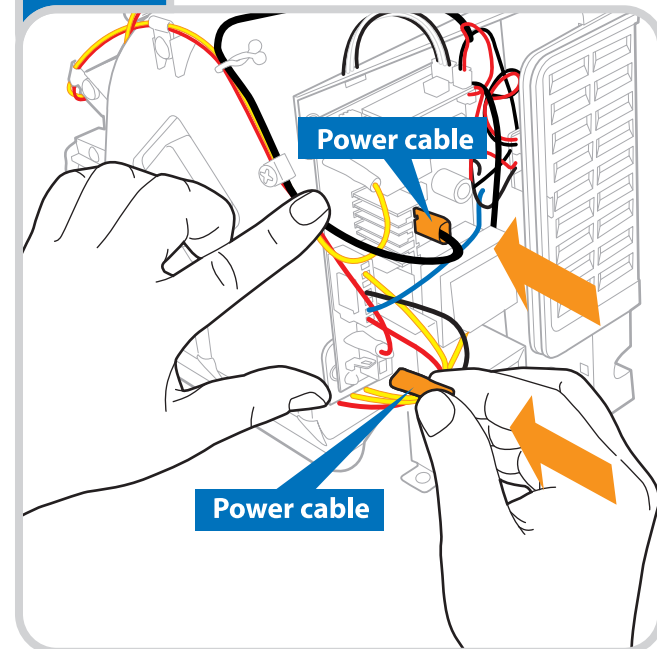
**2-36** Fasten the heater wire using 2 housing center holes.



**2-39** Connect the UV lamp power cable, motor and heater power cable on the PCB board.

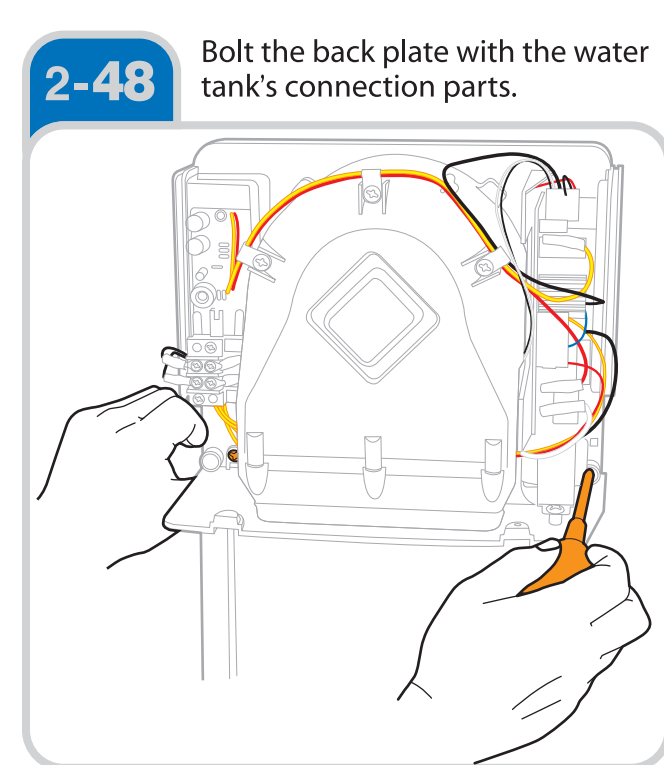
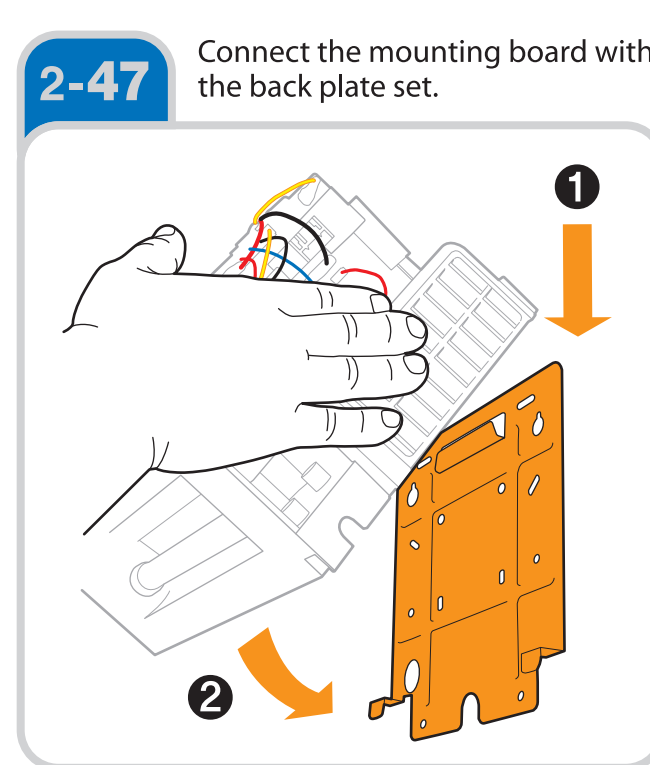
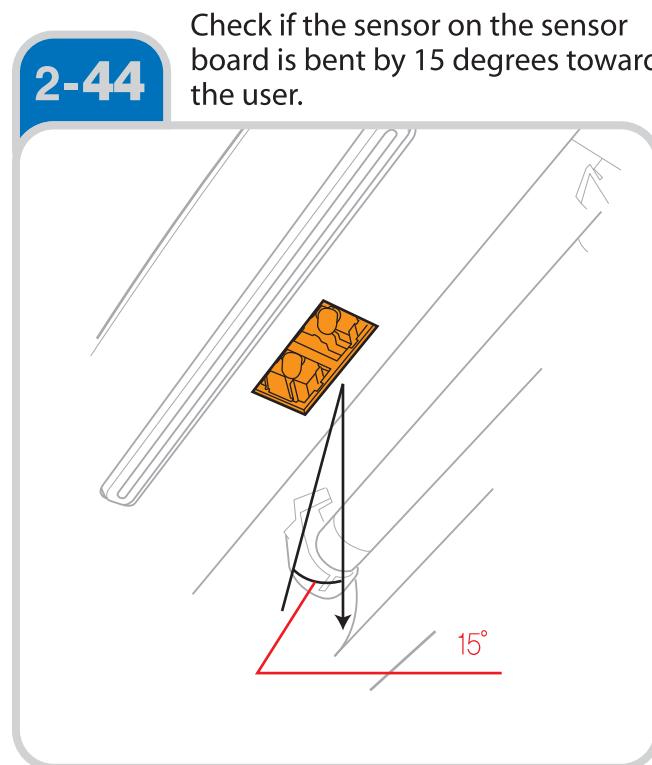
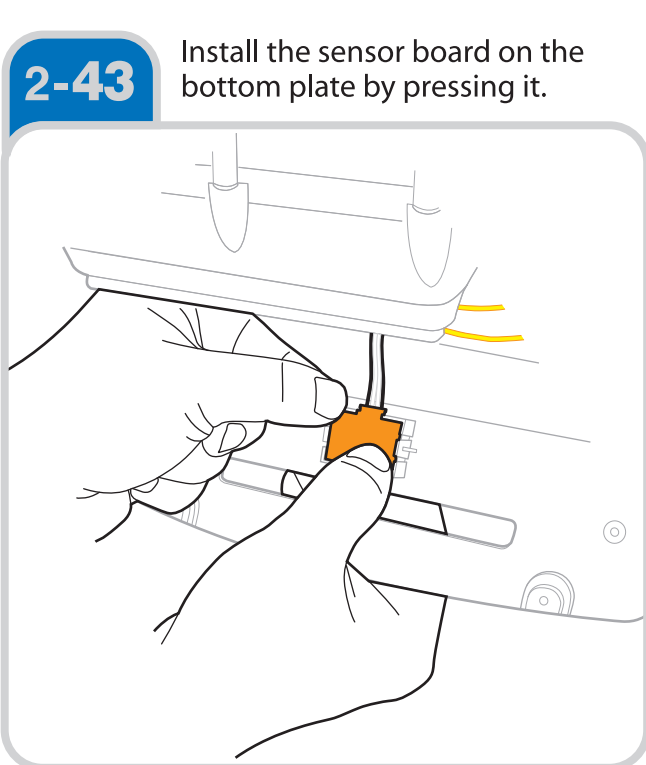
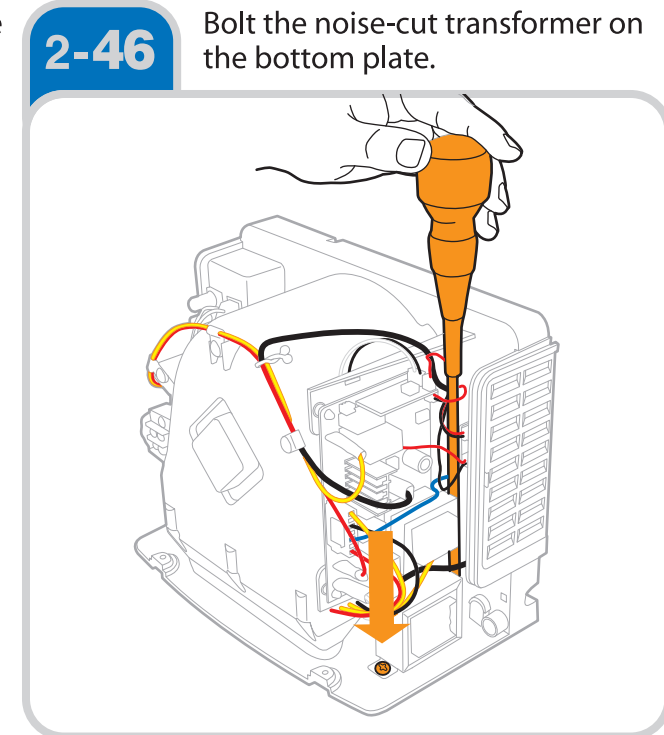
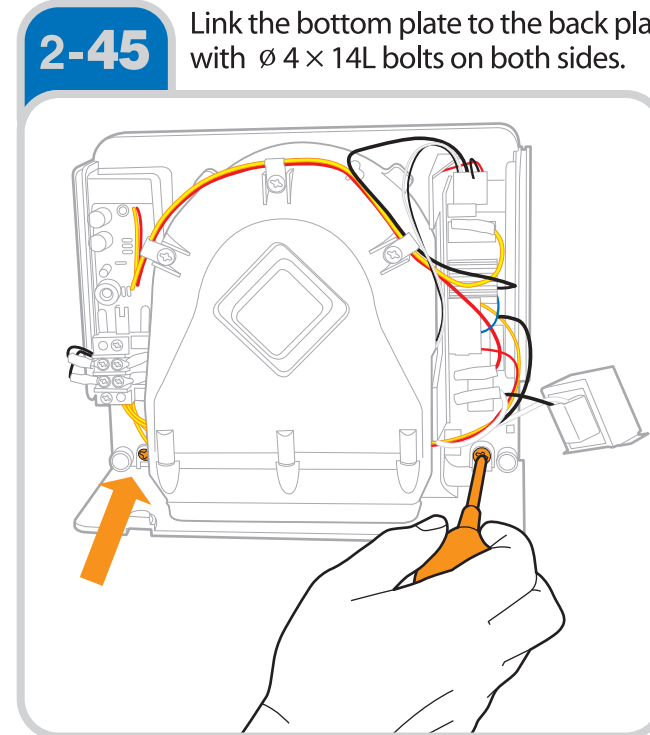
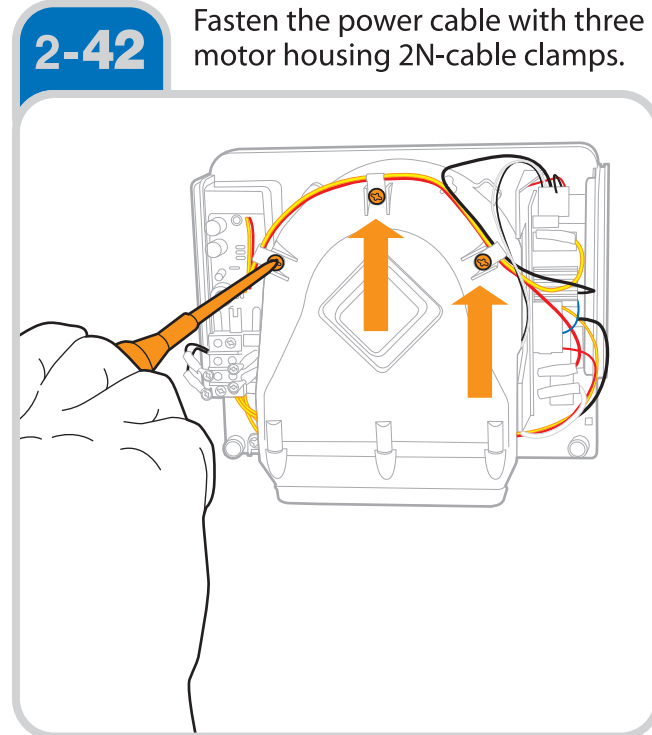
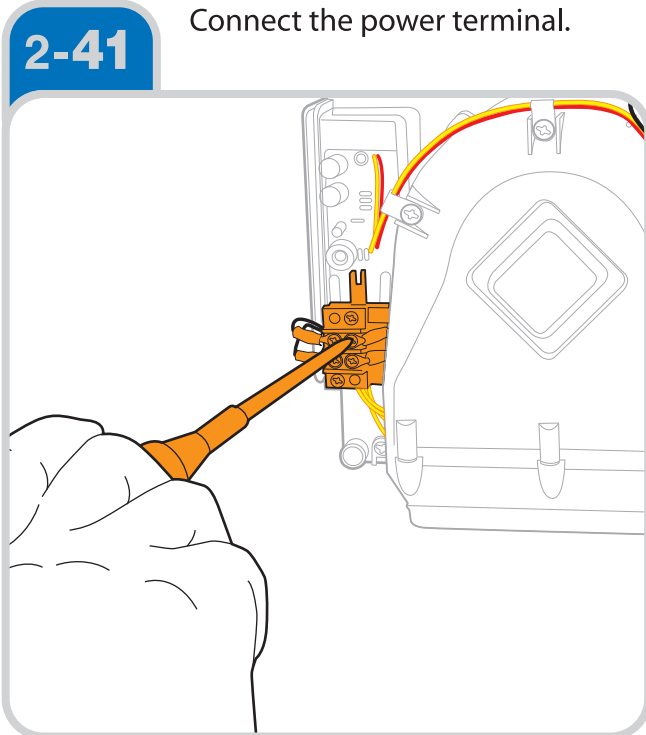


**2-40** Link the power cable fixed on the PCB board.



▶ Limited to the products assembled with the heater

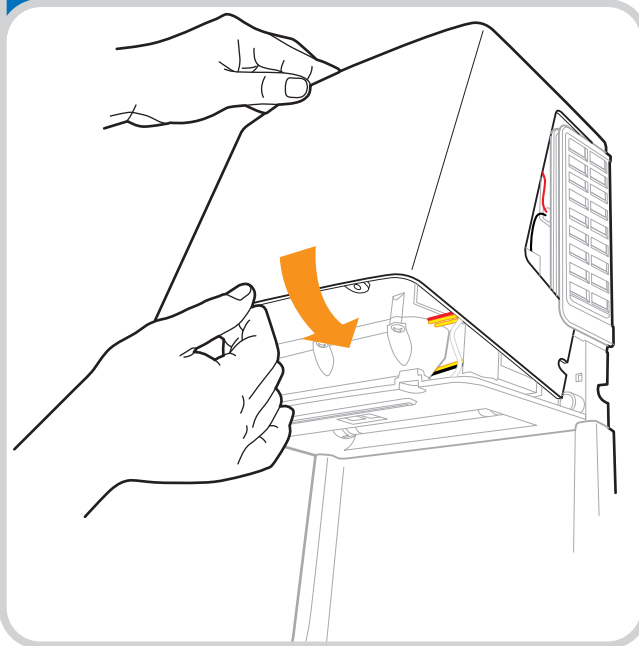




▶ Connect them from above and check if a clicking sound is given when it is pressed from below.

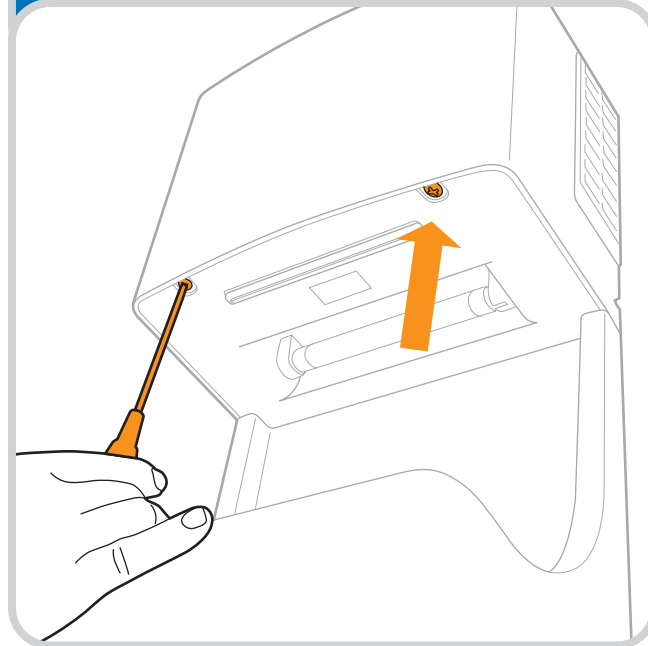
2-49

Connect the front cover from above.



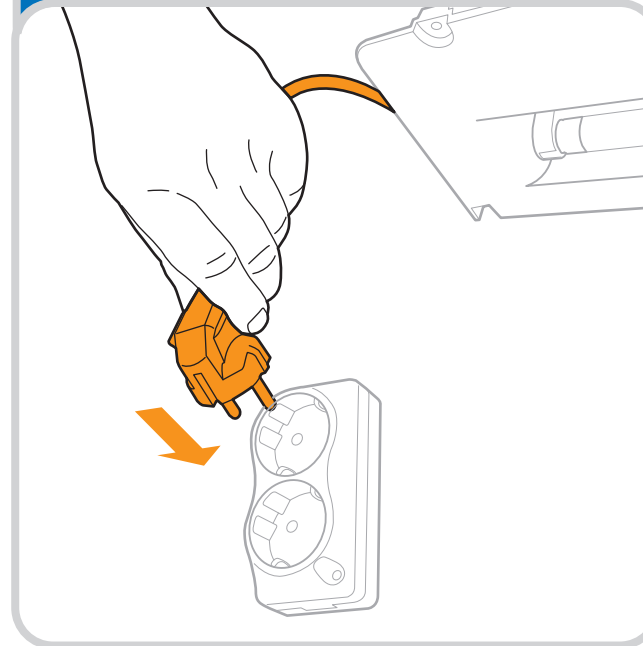
2-50

Fasten the two  $\varnothing 4 \times 10L$  bolts on the front cover.



2-51

Supply power after linking the power cord.



Filter • switch

*Hand Dryer*

Maintenance Manual

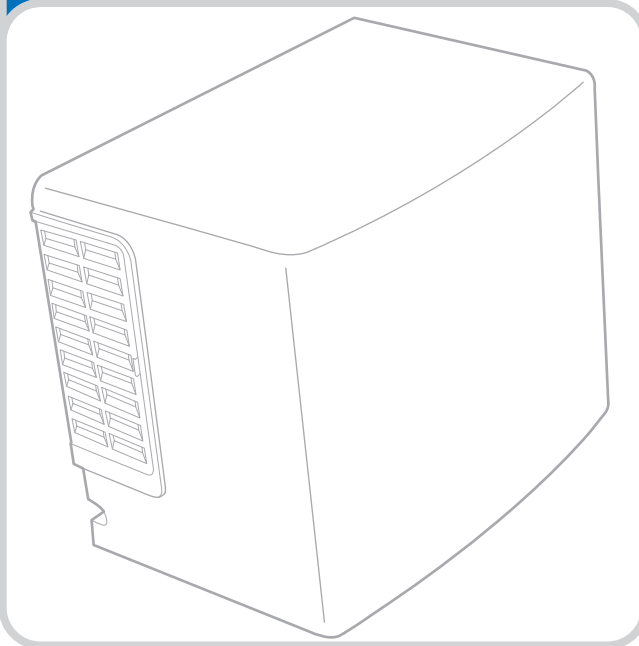
**Filter • switch**  
(replacement and checking)

AIR TOWEL®

Filter • switch

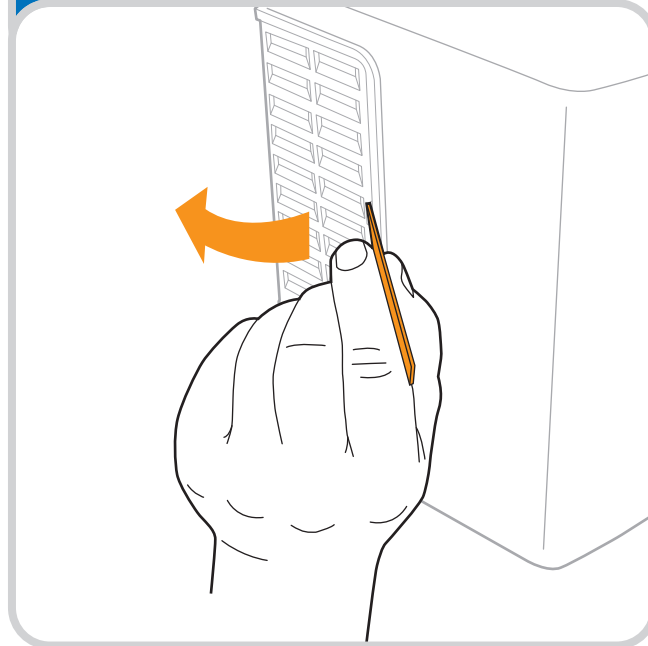
3-1

The vent is on the left of the product and the switch on the right.



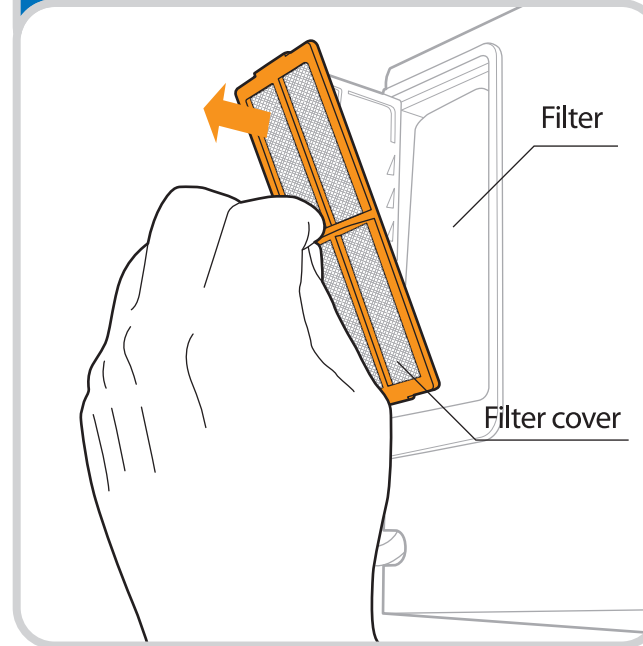
3-2

Open the vent cover with a screwdriver or the given tool.



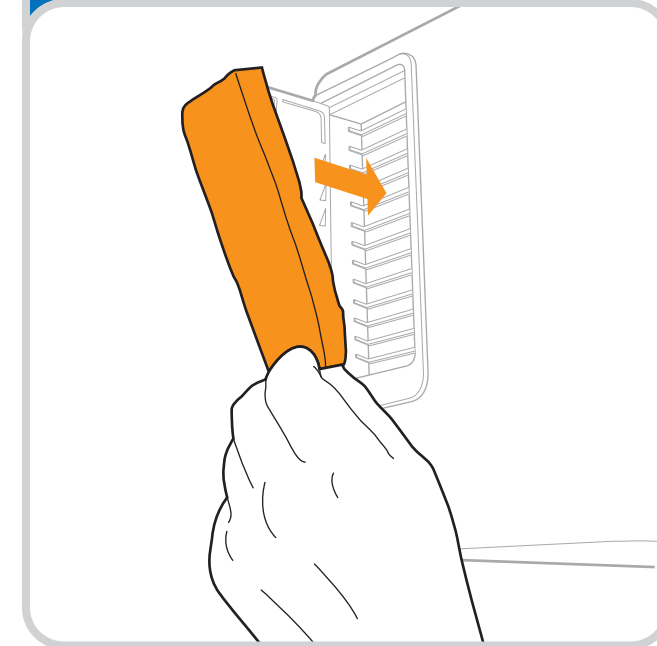
3-3

Separate the filter cover from the filter  
▶ No filter cover the a hepa filter



3-4

Insert a replacement filter.



Speed control

*Hand Dryer*

Maintenance Manual

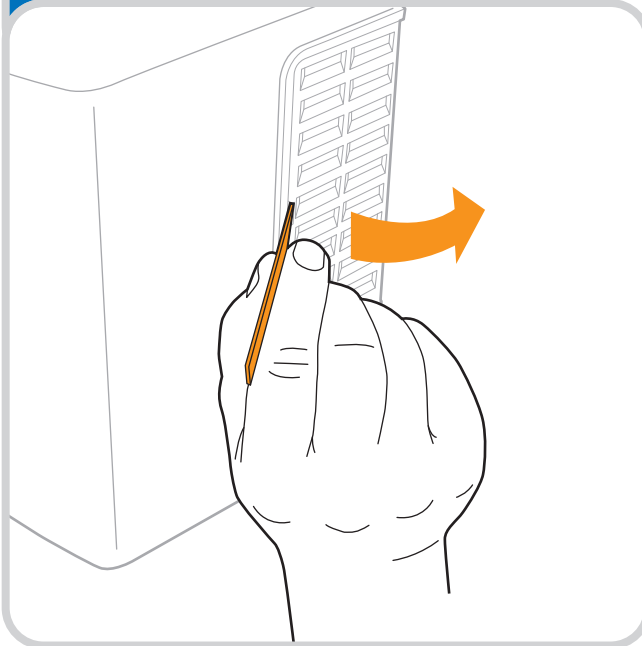
# Speed control

AIR TOWEL®

Speed control

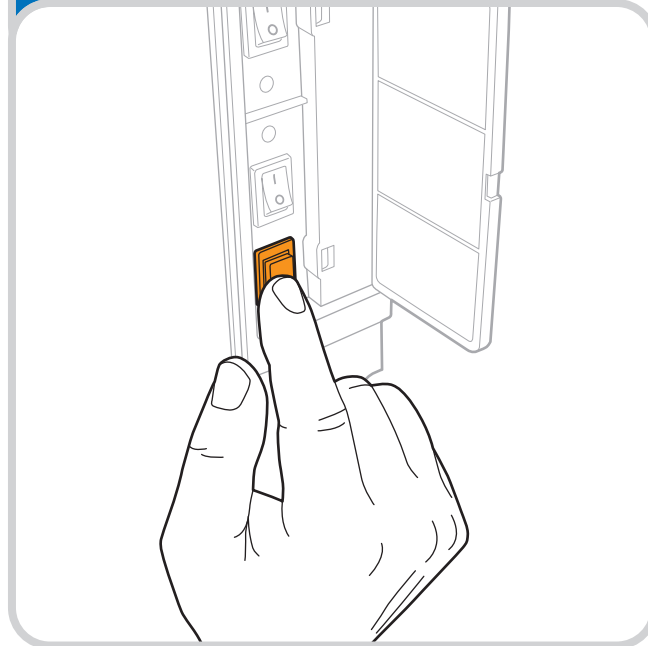
4-1

Open the right-hand cover for speed control.



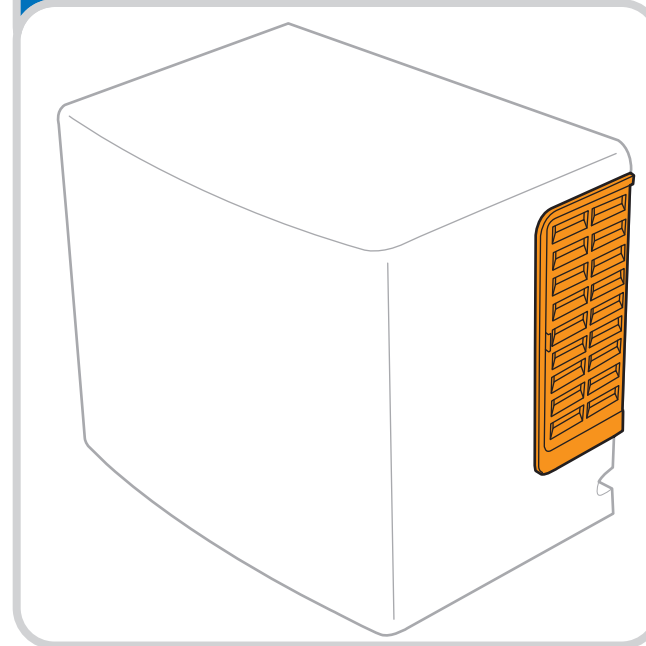
4-2

The speed alters every time the lowest switch in the switch box is pushed before stopping in 5 seconds.



4-3

Initially, the wind speed is at the middle and altered from middle, high to low every time it is pushed.



▶ Limited to the models with the speed control function

*Hand Dryer*

Maintenance Manual

# Board replacement

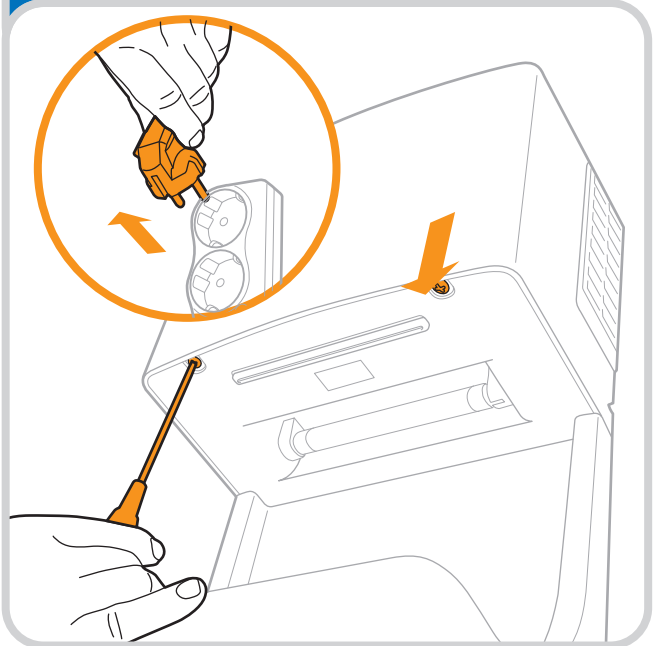
AIR TOWEL®

Board replacement

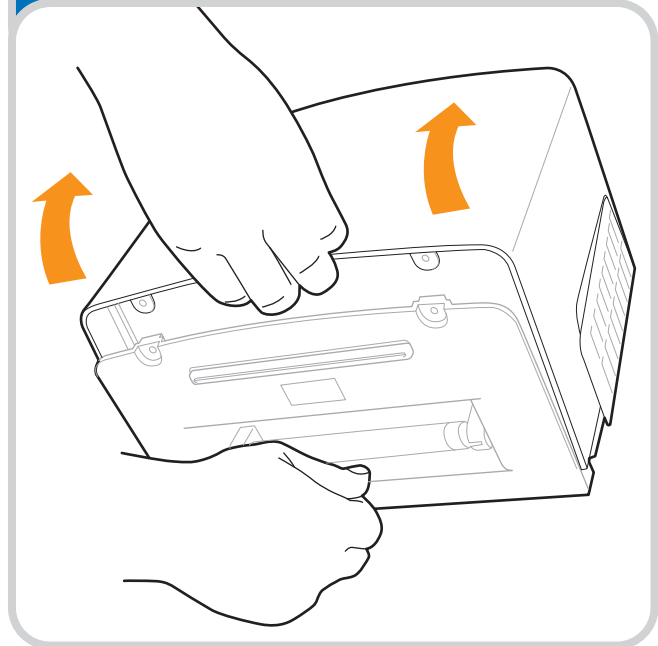
Board replacement



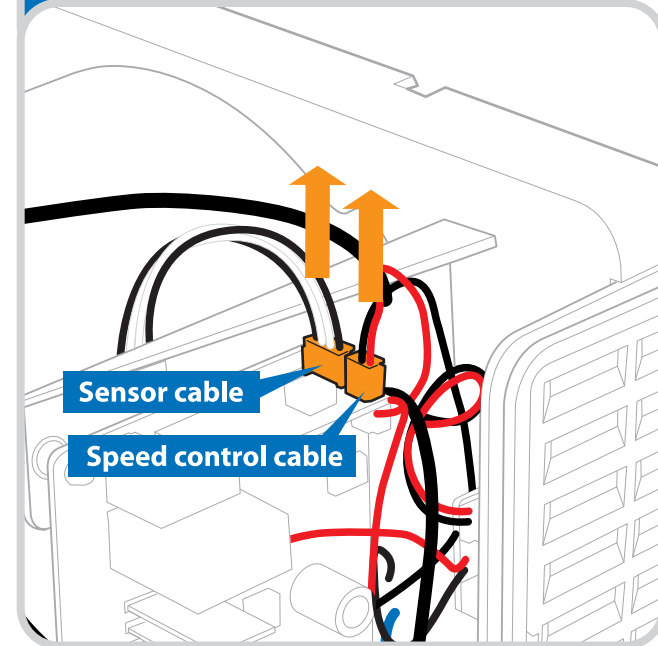
**5-1** Cut power by separating the power cord and take out the two 4-10 bolts on the front cover.



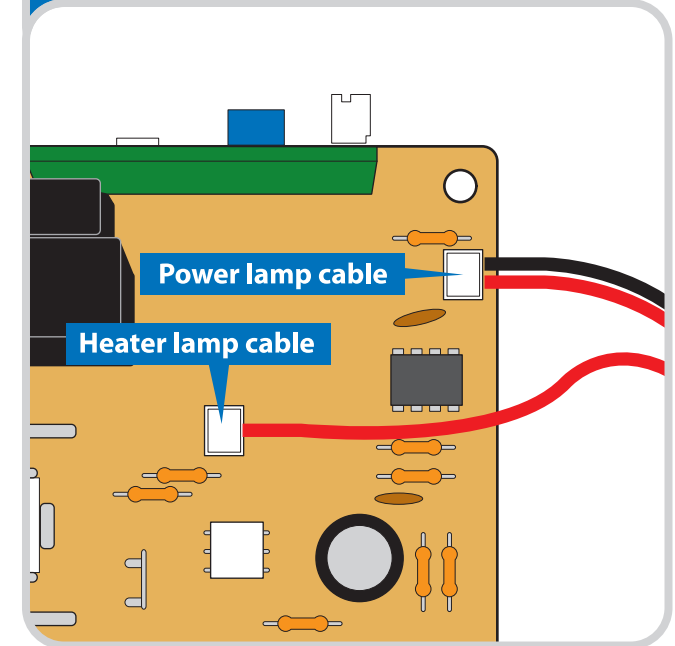
**5-2** Pull the front cover ahead lifting it up.



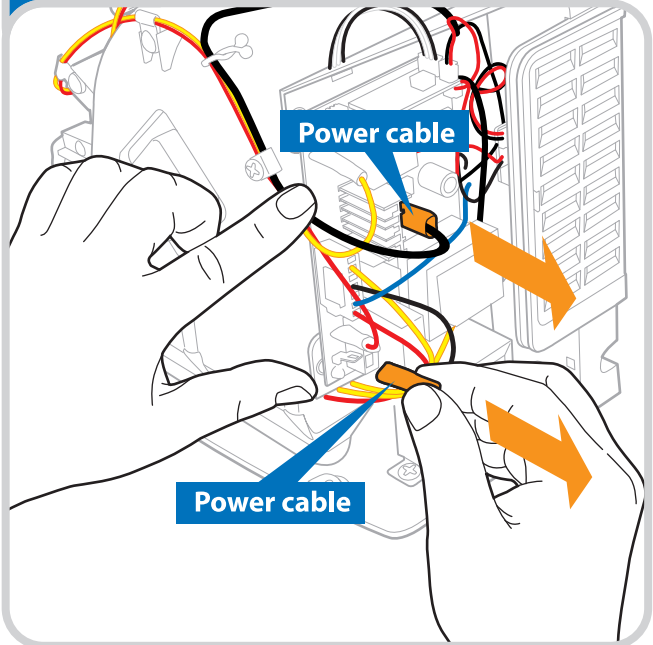
**5-5** Separate the sensor and speed control cable.



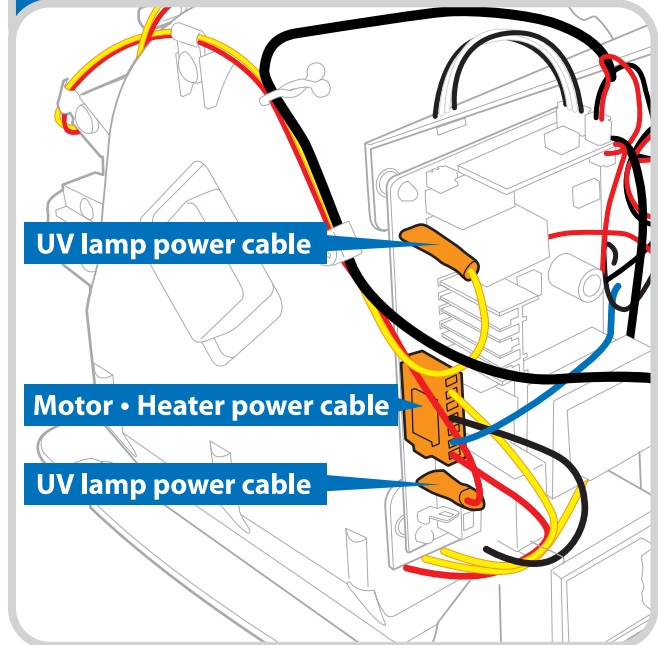
**5-6** Separate the heater lamp and the power lamp cable.



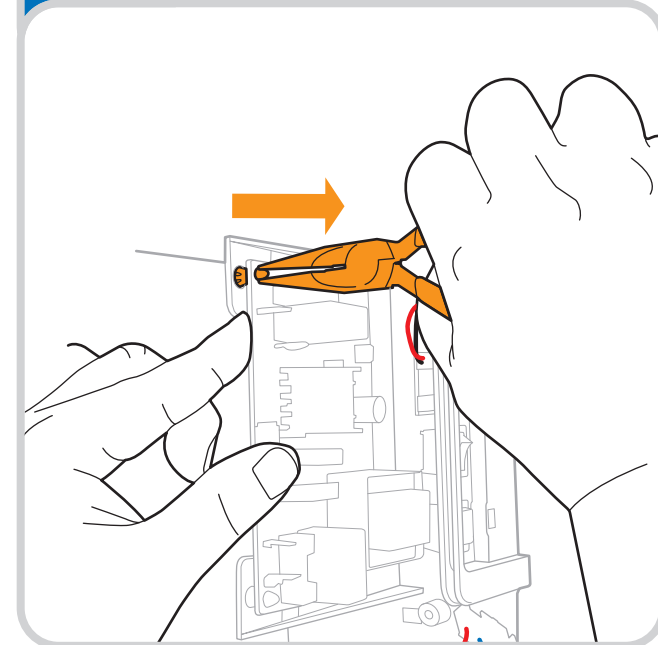
**5-3** Separate the power cable fixed on the PCB board.



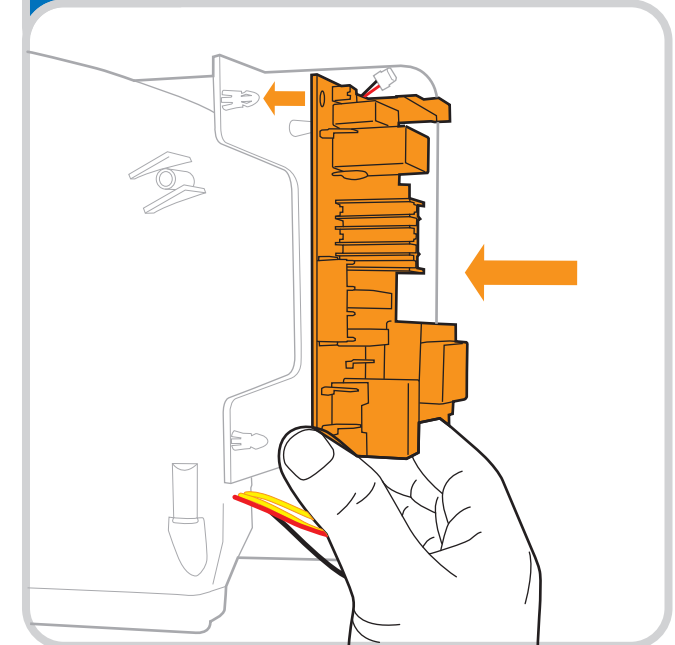
**5-4** Separate the UV lamp power cable, motor and heater power cable from the PCB board.



**5-7** Press the board-fastening support with the long nose and pull the board slightly.



**5-8** Replace the board and fasten it by pressing the support.

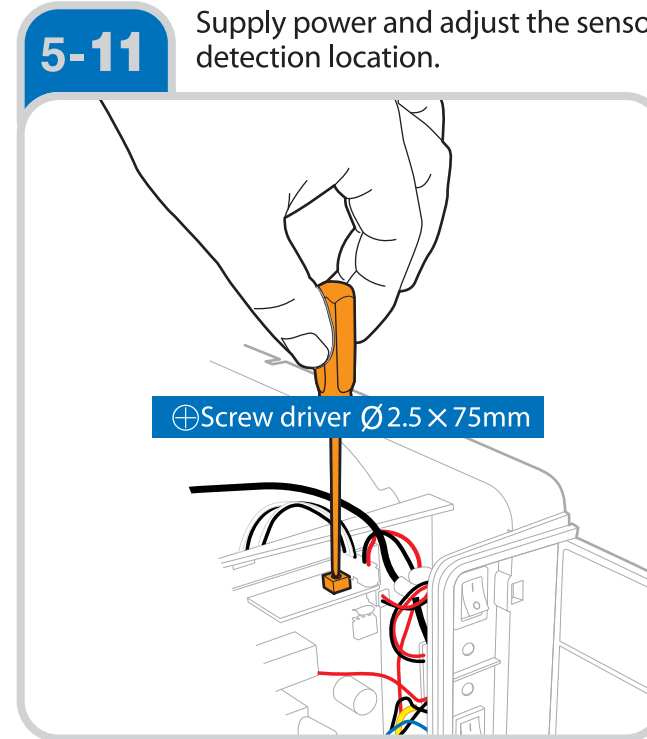
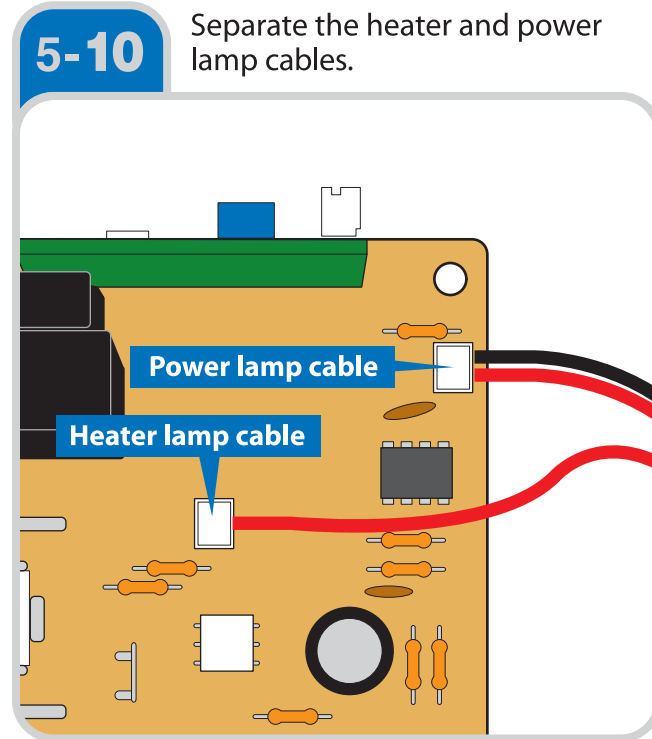
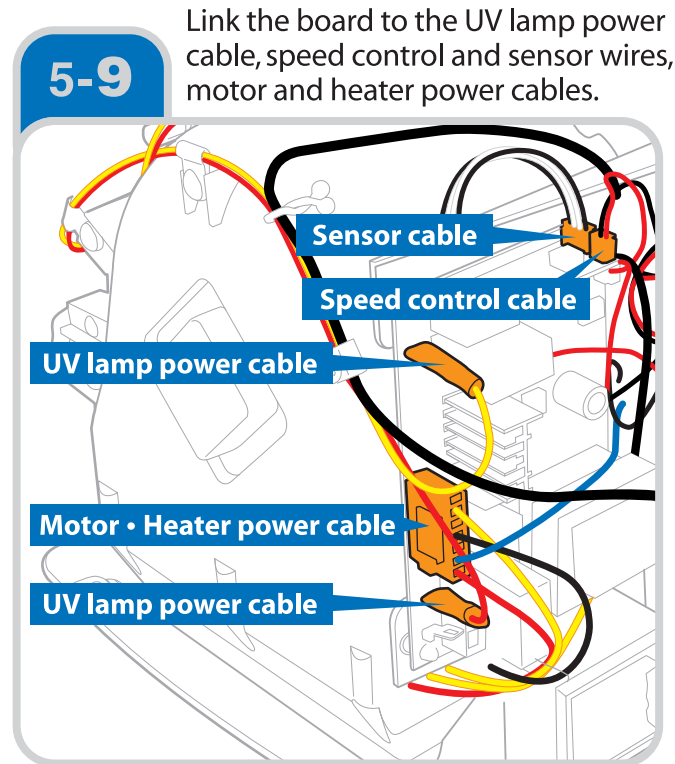


▶ Carry it out in the same way at the 4 parts.

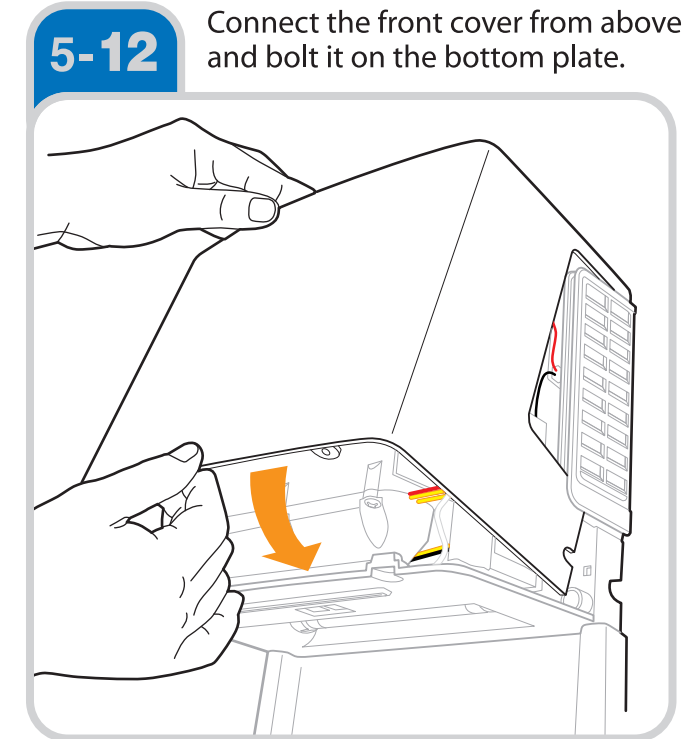
▶ Be sure the board is fully fastened to the support.

Board replacement

Board replacement



(Refer to the sensor control instructions.)



+ + + + + + + + + + + + +

+ + + + + + + + + + + + +

+ + + + + *Hand Dryer* + + + + +

+ + + + Maintenance Manual + + + +

# Lamp and stabilizer replacement

+ + + + + + + + + + + + +

+ + + + + + + + + + + + +

+ + + + + + + + + + + + +

+ + + + + + + + + + + + +

+ + + + + + + + + + + + +

+ + + + + + + + + + + + +

+ + + + + + + + + + + + +

+ + + + + + + + + + + + +

+ + + + + + + + + + + + +

+ + + + + + + + + + + + +

+ + + + + + + + + + + + +

+ + + + + AIR TOWEL® + + + + +

+ + + + + + + + + + + + +

+ + + + + + + + + + + + +

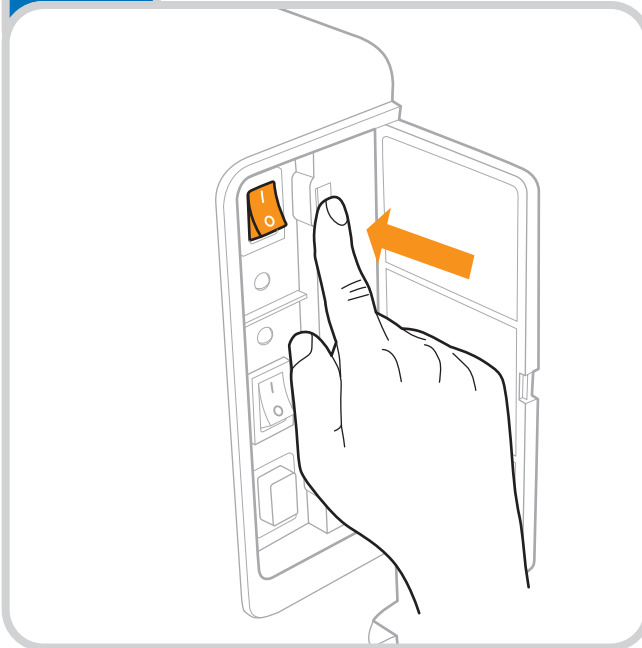
Lamp and stabilizer replacement

Lamp and stabilizer replacement

## Lamp replacement

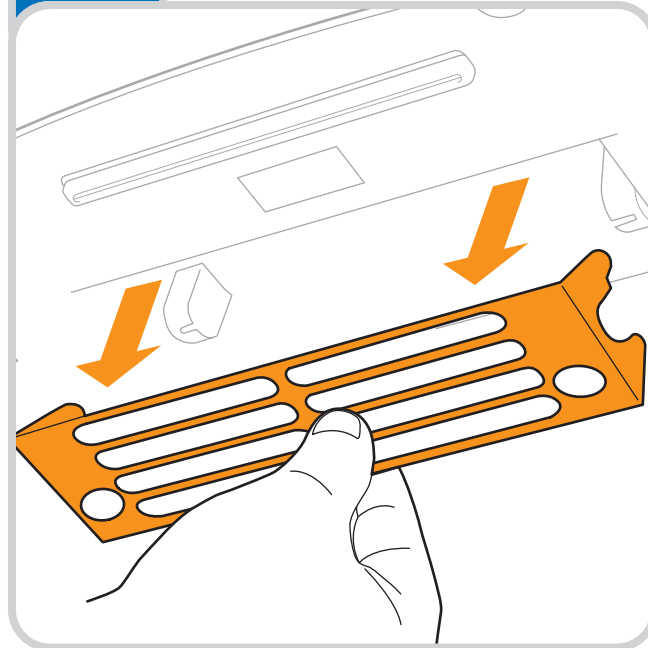
6-1

Cut power.



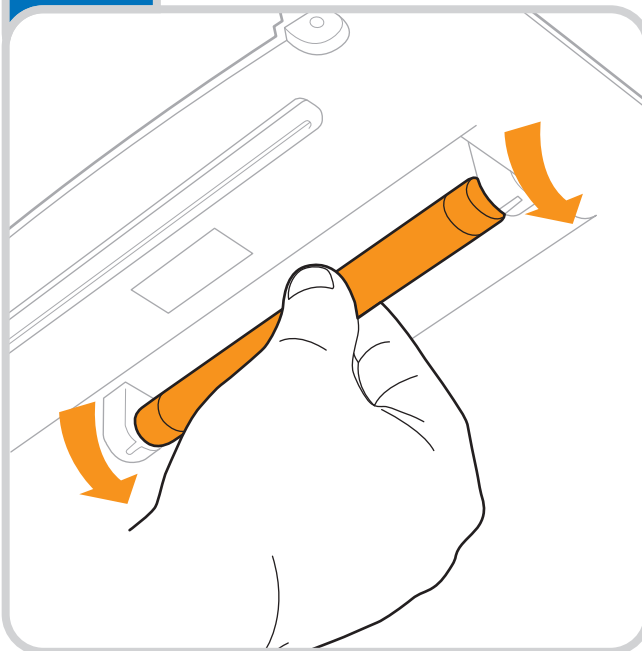
6-2

Remove the lamp protection cover.



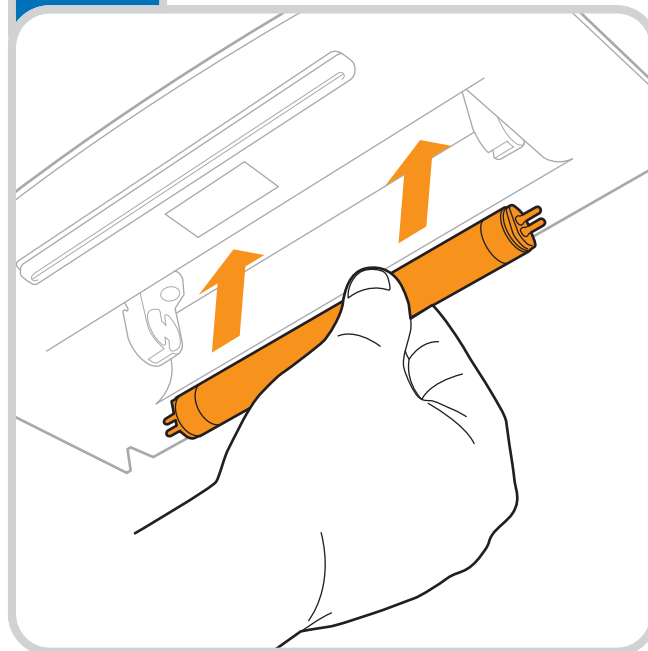
6-3

Turn the lamp of the main body slightly, 90°



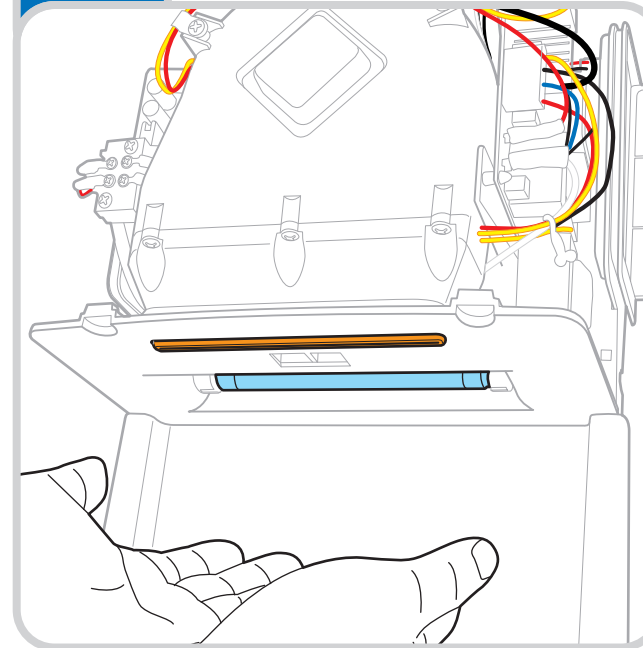
6-4

Remove the lamp from the main body and connect a new one.



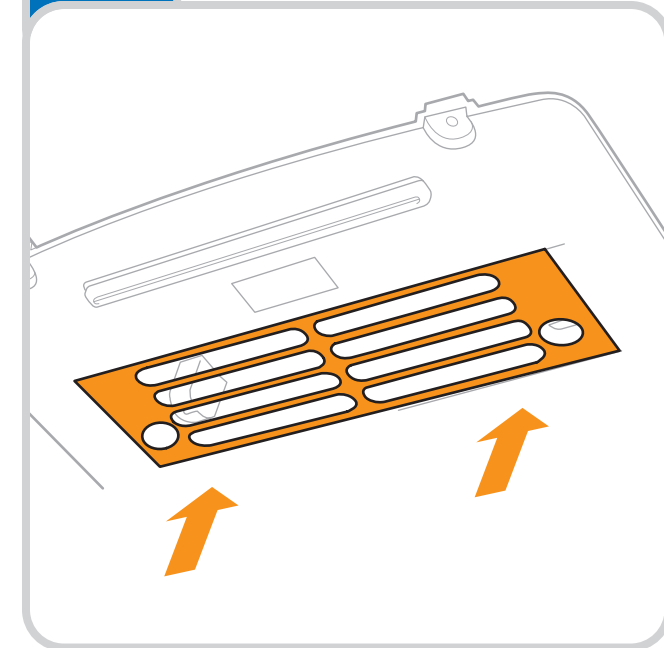
6-5

Supply power and check the lamp by putting your hand on the sensor window.



6-6

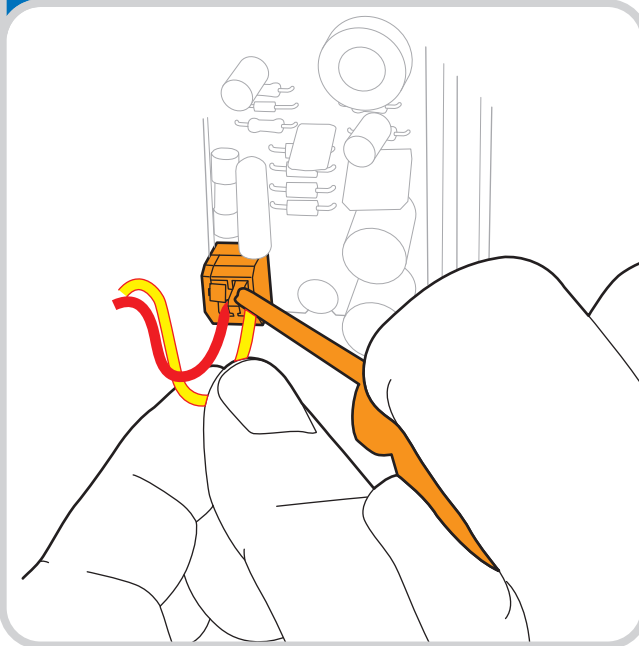
Connect the lamp protection cover.



## Stabilizer replacement

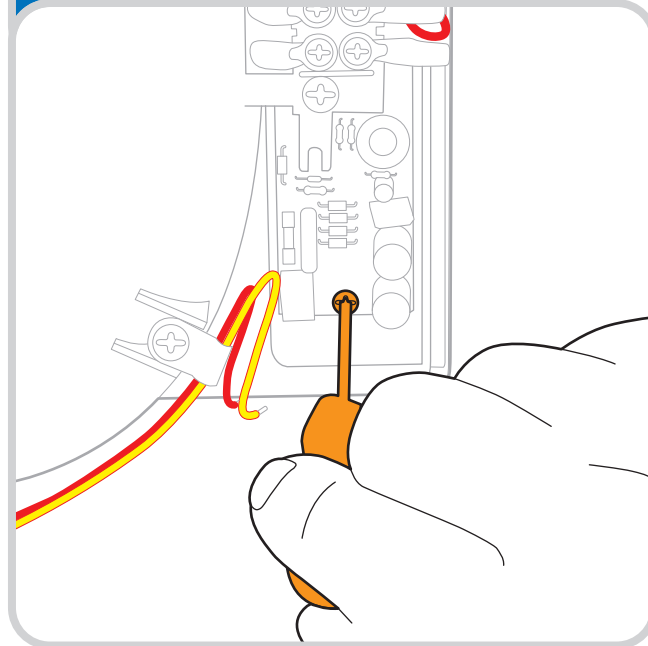
7-1

Separate the wires by pressing the power and lamp connectors.



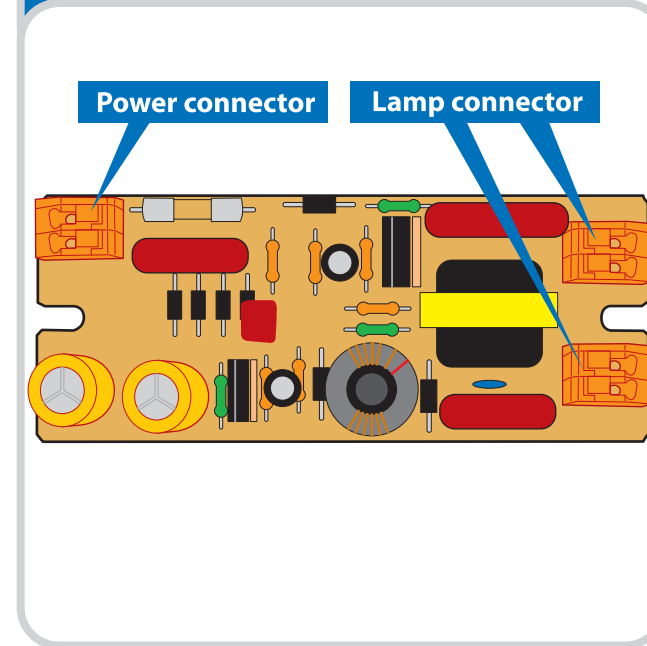
7-2

Unfasten the 2 bolts fastening the stabilizer to separate it.



7-3

Install a new stabilizer.



7-4

Supply power and check the lamp by putting your hand on the sensor window.

