

# GEORGE FOREMAN®

**INDOOR-OUTDOOR**

GRILL FOR 12+ SERVINGS

**INTERIOR-EXTERIOR**

PARRILLA DE 12+ PORCIONES

**INTÉRIEUR-EXTÉRIEUR**

GRIL POUR 12+ PORTIONS



**USE AND CARE MANUAL**

MANUAL DE USO Y CUIDADO

GUIDE D'UTILISATION ET D'ENTRETIEN

GFO201RX

**Register your product at**

[www.prodprotect.com/applica](http://www.prodprotect.com/applica)

**Registre su producto a**

[www.prodprotect.com/applica](http://www.prodprotect.com/applica)

**Enregistrez le produit en ligne á**

[www.prodprotect.com/applica](http://www.prodprotect.com/applica)



[www.georgeforemancooking.com](http://www.georgeforemancooking.com)

## IMPORTANT SAFEGUARDS.

When using electrical appliances, always follow basic safety precautions to reduce the risk of fire, electric shock, and/or injury, including the following:

- Read all instructions.
- Do not touch hot surfaces. Use handles or knobs.
- To protect against electrical shock do not immerse cord, plugs or appliance in water or other liquid.
- Close supervision is necessary when any appliance is used by or near children.
- Unplug from outlet when not in use and before cleaning. Allow to cool before putting on or taking off parts and before cleaning the appliance.
- Do not operate any appliance with a damaged cord or plug, or after the appliance malfunctions or has been damaged in any manner. Contact consumer support.
- The use of accessory attachments not recommended by the appliance manufacturer may cause injuries.
- Do not let cord hang over edge of table or counter, or touch hot surfaces.
- Do not place on or near a hot gas or electric burner, or in a heated oven.
- Extreme caution must be used when moving an appliance containing hot oil or other hot liquids.
- Always attach plug to appliance first, then plug cord into the wall outlet. To disconnect, turn any control to OFF, then remove plug from wall outlet.
- Do not use this appliance for other than intended use.
- Fuel, such as charcoal briquettes, is not to be used with this appliance.
- Use only on properly grounded outlet.
- This appliance is not intended for use by persons (including children) with reduced physical, sensory or mental capabilities, or lack of experience and knowledge, unless they have been given supervision or instruction concerning use of the appliance by a person responsible for their safety.
- Children should be supervised to ensure that they do not play with the appliance.
- This product is not intended for outdoor storage.

## SAVE THESE INSTRUCTIONS.

This product is for household use only.

### SAFETY FEATURES

#### GROUNDING PLUG

As a safety feature, this product is equipped with a grounded plug, which will only fit into a three-prong outlet. Do not attempt to defeat this safety feature. Improper connection of the grounding conductor may result in the risk of electric shock. Consult a qualified electrician if you are in doubt as to whether the outlet is properly grounded.

#### TAMPER-RESISTANT SCREW

Warning: This appliance is equipped with a tamper-resistant screw to prevent removal of the outer cover. To reduce the risk of fire or electric shock, do not attempt to remove the outer cover. There are no user-serviceable parts inside. Repair should be done only by authorized service personnel.

#### ELECTRICAL CORD

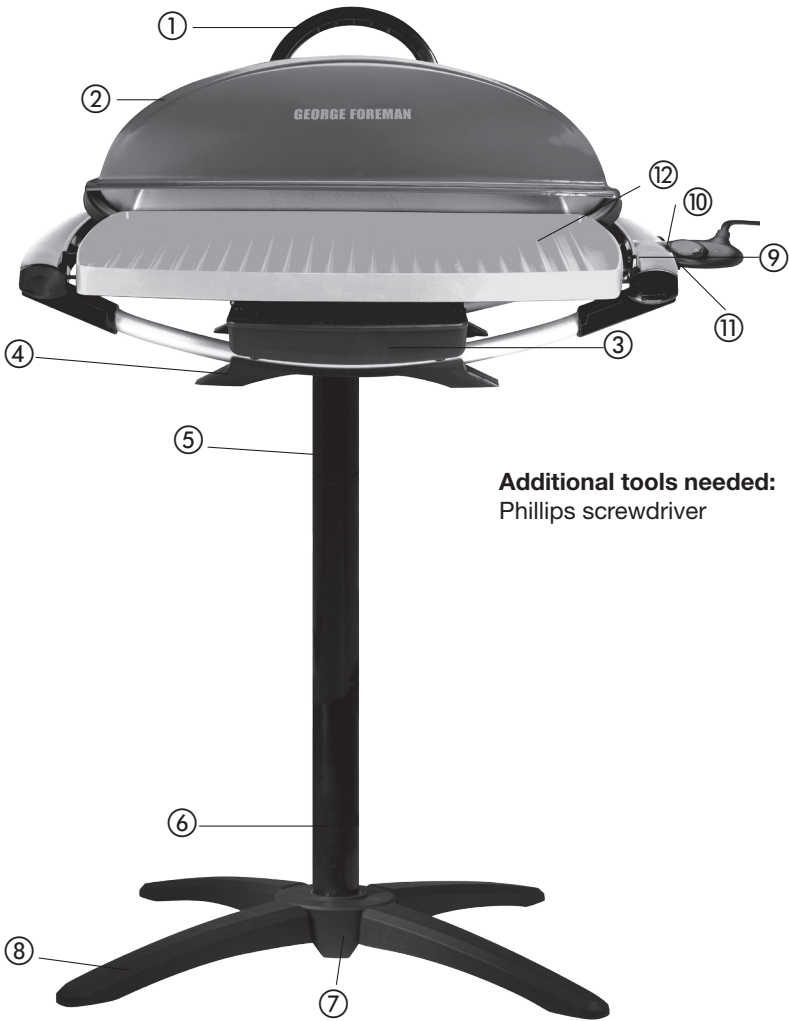
1. A short power cord is provided to reduce the risk resulting from becoming entangled in or tripping over a longer cord.

2. If a long detachable power cord or extension cord is used:

- a) The marked electrical rating of the cord set or extension cord should be at least as great as the electrical rating of the appliance, and
- b) The cord should be arranged so that it will not drape over the countertop or tabletop where it can be pulled on by children or tripped over unintentionally.
- c) Outdoor extension cords should be used with outdoor use products and are surface marked with the suffix letter "W" and with a tag stating, "SUITABLE FOR USE WITH OUTDOOR APPLIANCES".
- d) The extension cord should be kept dry and off the ground.
- e) Store product indoors when not in use – out of reach of children.
- f) Do not clean this product with a water spray or the like.

**Note:** If the power cord is damaged, it should be replaced by qualified personnel; in Latin America, by an authorized service center.

# GETTING TO KNOW YOUR INDOOR-OUTDOOR GRILL



**Additional tools needed:**  
Phillips screwdriver

†1. Lid handle (Part # 22869)

†2. Lid (Part #22865 )

†3. Drip tray (Part # 22868)

†4. Grill base (Part # 22867)

†5. Upper pedestal tube (Part #22872)

†6. Lower pedestal tube (Part # 22871)

†7. Pedestal base (Part # GFO201-01)

†8. Pedestal feet (Part # GFO201-02)

†9. Temperature control probe  
(Part # 22866)

10. Probe receptacle

11. Probe cutout

†12. Ceramic coated grill plate  
(Part # GFO201-03)

**Note:** † indicates consumer replaceable/  
removable parts

## HOW TO USE

This product is for household use only.

## GETTING STARTED

- Remove all packing material, any stickers, and the plastic band around the power plug.
- Remove and save literature.
- Please visit [www.prodprotect.com/applica](http://www.prodprotect.com/applica) to register your warranty.
- Wash grill plate, drip tray and lid with warm, soapy water. Wipe dry.

**Important:** Do not immerse temperature control probe in water or any other liquid. To clean, wipe with a damp cloth and dry thoroughly.

## ASSEMBLY INSTRUCTIONS

1. Assemble pedestal tube by connecting two halves of tube. Insert the tapered end of the Upper Pedestal Tube into the top of the Lower Pedestal Tube and screw the Tubes together.
2. Insert pedestal feet into pedestal base until they click into place. Place pedestal base on a flat, level surface.
3. Insert slotted end of assembled pedestal tube into center hole of pedestal base and push down firmly.
4. Place grill base on top of pedestal tube assembly, ensuring hole in center of grill base engages with tube.
5. Place drip tray securely into position inside grill base.
6. Rotate grill base until the notch on the bottom of the grill plate is aligned with the slot in the upper pedestal tube. Position grill securely on grill base. Attach clip from upper pedestal tube to grill base.
7. Position probe receptacle through probe cutout in top side of grill base.
8. Attach lid handle to lid from the inside using a screwdriver and included screws.
9. Place lid over grill. Your grill is now ready to use!

## GRILLING OUTDOORS

1. Turn temperature control probe to OFF position and attach securely into probe receptacle.
2. Plug into standard electrical outlet. Align desired temperature setting with indicator light. Place lid securely on grill. Allow grill to preheat to desired temperature – for approximately 10 minutes.
3. Carefully remove lid and place food onto grill; cover for most foods. Cook until done, turning at least once halfway through cooking time for most food. Adjust temperature as needed.

**Tip:** Light on temperature control probe will cycle on and off as grill thermostat maintains proper temperature. This is normal operation.

**Note:** Condensation may collect on inside of lid when cooking.

**Important:** Use caution when removing lid.

4. When finished cooking, turn temperature control probe to OFF position. Temperature probe indicator light will go out. Unplug and allow grill to cool before disassembling and cleaning. See CARE AND CLEANING.

**Note:** Temperature control probe may be turned to setting 1 to keep foods warm for short periods of time.

**Note:** Use only plastic or wooden utensils on grill surface.

**Caution:** Grill surfaces are hot during use. Allow grill, drip tray, lid and grill base to cool completely before handling and cleaning.

## USING INDOORS

- To use your grill indoors, simply unclip grill base from upper pedestal tube, then lift grill base off pedestal tube and place on a heat-resistant surface.

**Important:** Never use grill without the grill base securely in place.

**Caution:** Some countertop finishes are more affected by heat than others; make sure the countertop surface can withstand temperatures of 150°F to prevent discoloration or other damage to countertop surface.

## CARE AND CLEANING



**Caution: To avoid accidental burns, allow your grill to cool completely.**

This product contains no user serviceable parts. Refer service to qualified service personnel.

1. Unplug and allow grill to cool before disassembling and cleaning. Thoroughly clean all parts after each use.
2. Remove temperature control probe (DO NOT IMMERGE). Wipe with a damp cloth and dry thoroughly.
3. Remove grill base and empty drip tray.
4. Wash grill plate, drip tray and lid with warm, soapy water. Wipe dry.

**Important:** Do not use metallic scrubbing pads, steel wool or any abrasive cleaners to clean any part of your grill; use only nylon or nonmetallic scrubbing pads.

**Caution:** Temperature control probe receptacle must always be completely dry before use. Make sure receptacle is dry before inserting control probe.

**Note:** This product is not intended for outdoor storage.

# COOKING CHART

The following chart is meant to be used as a guideline only. Cooking time will depend on the thickness of the food. To be sure your food is cooked, USDA recommends using a meat thermometer to test for doneness. Insert the meat thermometer into the thickest part of the meat until the temperature stabilizes.

Food	Temp Setting	Cook Time <small>turn food halfway through cooking</small>	Comments
<b>MEATS</b>			
Hamburgers, fresh, 5 oz.	#4	8-10 min. per side or until 160°F	Shape into patties no more than 1/2- inch thick.
Beef Kabobs	#4	4-6 min. per side for medium rare 5-6 min. per side for medium	Cut meat and veggies into 1-inch cubes. Soak wooden skewers to prevent burning.
Lean, boneless steak (NY Strip, Sirloin, Tenderloin)	#5	Medium rare (130-140°F) 3-4 min per side Medium (140-150°F) 4-6 min. per side Medium well (155-160°F) 6-8 min. per side	Based on a 6 oz. chop, 3/4-1 inch thick
Hot Dogs	#4	3-4 min or until 145°F	Turn for even grilling.
<b>POULTRY</b>			
Boneless, skinless chicken breast	#4	10-12 min. per side or until a minimum temperature of 165°F at the thickest part.	Pound or cut chicken to an even thickness for more even cooking.
Ground Turkey Burgers	#4	8-10 min. per side or until a minimum of 160°F	Shape patties into 1/2-inch thickness
<b>PORK</b>			
Boneless pork chops	#4	6-7 min. per side or until a minimum of 145°F	Based on 3/4-inch thickness. Let rest 2-3 min.
<b>FISH/SEAFOOD</b>			
Salmon fillets (5 oz.), skinless	#5	3-4 min. per side or until a minimum of 145°F	Brush surface of salmon with oil before grilling to prevent sticking.
Shrimp	#5	2-3 min. per side or until pink	Toss shrimp with a little salt before grilling.
Thin fish fillets (Pan fish, tilapia, sole)	#4	3-4 min. per side or until 145°F	Brush with oil to prevent sticking
<b>VEGETABLES</b> - <i>Toss vegetables in oil to add flavor and keep them from drying out. If needed, start on #4 setting then reduce to a lower temperature and cook until tender.</i>			
Asparagus	#4	6-8 min. or until tender, turning half way through grilling	Grilling time will vary depending on diameter.
Bell peppers, seeded and quartered	#4	3-4 min. per side	
Onion slices	#4	4-6 min. per side	1/2-inch thick
Summer squash (yellow, zucchini), sliced	#4	4-5 min. per side	
<b>OTHER</b>			
Refrigerated pizza	#4	12-14 min. or until pizza is hot and cheese is melted.	Frozen pizza is not recommended for grilling.

# ASIAN BARBEQUE BEEF KABOBS

**Prep Time:** 15 min

**Total Time:** 30 min

## Ingredients:

- ½ cup ketchup
- 3 Tbsp. Hoisin sauce
- 1 ½ lbs. sirloin steak, cut into 1 ½ inch pieces
- ½ fresh, peeled and cored pineapple, cut into 1-inch pieces
- 1 green bell pepper, cut into 1-inch pieces

## Directions:

Mix ketchup and Hoisin sauce in bowl. Add beef and toss until coated. Preheat your grill on setting #4. Arrange steak, pineapple and green pepper alternately on 6 (10-inch) skewers. Grill kabobs 10-15 minutes for medium doneness (160°F), turning once and brushing with extra sauce.

Serve with white or brown rice if desired.

**Servings:** 6

# BLACKENED SALMON

*Rub this spicy seasoning into the salmon before grilling.*

**Prep Time:** 5 min

**Total Time:** 15 min

## Ingredients:

- 1 Tbsp. paprika
- ½ Tbsp. cayenne pepper
- ½ Tbsp. onion powder
- 1 tsp. salt
- ¼ tsp. black pepper
- ⅛ tsp. EACH: thyme, basil and oregano
- 2 salmon fillets
- 2 tsp. olive oil

## Directions:

Mix spices together in a small bowl. Preheat your grill on setting #5. Brush the surfaces of the salmon fillets with olive oil; top with spice mixture. Grill 4-5 minutes on each side until done (min. of 145°F).

**Servings:** 2

## CHICKEN FAJITAS

*Wrap up grilled, marinated chicken breast, peppers and onions in warm flour tortillas.*

**Prep Time:** 25 Min, including refrigeration

**Total Time:** 40 Min

### Ingredients:

- 2 Tbsp. vegetable oil
- 1 medium green bell pepper, cored, seeded and cut into strips
- 1 medium red bell pepper, cored, seeded and cut into strips
- 1 medium onion, sliced
- 1 tsp. paprika
- 1 tsp. chili powder
- 1 tsp. cumin
- 1 tsp. garlic powder
- 1 tsp. kosher salt
- 1 Tbsp. fresh lime juice
- 1 ½ lbs. boneless, skinless chicken breast, pounded to ½-inch thickness
- 8 (8-inch) flour tortillas, warmed
- Shredded lettuce, shredded cheese, guacamole, salsa and sour cream, for topping

### Directions:

Place oil into a small mixing bowl. Add peppers and onions; toss to coat. Set aside. Place spices into a sealable plastic bag. Add lime juice and chicken, seal and gently knead chicken to coat. Refrigerate 15-30 minutes. Preheat your grill on setting #4. Cook chicken 5-6 minutes on each side, until done (165°F). Remove chicken from grill; let stand 3 minutes. Cut chicken into strips. Meanwhile, place peppers and onions on grill; cook, turning frequently until tender crisp. To serve, spoon chicken, vegetables and your choice of toppings down center of tortillas; fold in half.

**Servings:** 8

## GRILLED ASPARAGUS WITH FETA CHEESE

**Prep Time:** 5 Min

**Total Time:** 15 Min

### Ingredients:

- 1 lb. fresh asparagus, cleaned and trimmed
- 2 Tbsp. olive oil
- ¼ tsp. crushed red pepper flakes
- ⅓ cup crumbled feta cheese

### Directions:

Preheat your grill on setting #4. Toss asparagus with olive oil and red pepper flakes. Grill covered, 4 to 5 minutes. Turn asparagus and grill an additional 4 min. or until tender crisp. Remove from grill. Top with feta cheese before serving.

**Servings:** 4



# TACO BURGER

**Prep Time:** 20 Min

**Total Time:** 20 Min

## Ingredients:

- 1 lb. ground beef
- 1 pkg. taco seasoning
- 1 small onion, chopped
- 4 hamburger buns
- 4 cheddar cheese slices
- 4 lettuce leaves
- 4 tomato slices
- ¼ cup mayonnaise
- ¼ cup salsa

## Directions:

Preheat your grill on setting #3. Mix hamburger, taco seasoning and onion; shape into 4 (1/2-inch thick) patties. Grill burgers 4 to 5 minutes on each side or until done (160°F). Remove from grill; top with cheese slices. Mix together mayonnaise and salsa. Fill each bun with lettuce, tomato, burger and salsa.

**Servings:** 4

**Variation:** *For slider size burgers, shape into 8 (2 oz.) balls. Flatten slightly and grill 4-5 minutes on each side or until 160°F. Serve on small sandwich buns with toppings.*

# WARRANTY AND CUSTOMER SERVICE INFORMATION

For support or any questions regarding your appliance, call the appropriate 800 number listed within this section. Please DO NOT return the product to the place of purchase. Also, please DO NOT mail product back to manufacturer, nor bring it to a service center. You may also want to consult our Product Protection Center at [www.prodprotect.com/applica](http://www.prodprotect.com/applica) .

## **Three-Year Limited Warranty**

(Applies only in the United States and Canada)

### **What does my warranty cover?**

- Your warranty covers any defect in material or workmanship provided; however, the liability of Spectrum Brands Inc. will not exceed the purchase price of product.

### **How long is the warranty period?**

- Your warranty extends three years from the date of original purchase with proof of purchase.

### **What support does my warranty provide?**

- Your warranty provides you with a reasonably similar replacement product that is either new or factory refurbished.

### **How do you get support?**

- Save your receipt as proof of date of sale.
- Visit the online service website at [www.prodprotect.com/applica](http://www.prodprotect.com/applica), or call toll-free 1-800-231-9786, for general warranty service.
- If you need parts or accessories, please call 1-800-738-0245.

### **What does my warranty not cover?**

- Damage from commercial use
- Damage from misuse, abuse or neglect
- Products that have been modified in any way
- Products used or serviced outside the country of purchase
- Glass parts and other accessory items that are packed with the unit
- Shipping and handling costs associated with the replacement of the unit
- Consequential or incidental damages (Please note, however, that some states do not allow the exclusion or limitation of consequential or incidental damages, so this limitation may not apply to you.)

### **How does state law affect my warranty?**

- This warranty gives you specific legal rights. You may also have other rights that vary from state to state or province to province.

POR FAVOR LEA ESTE INSTRUCTIVO ANTES DE USAR EL PRODUCTO.

# INSTRUCCIONES IMPORTANTES DE SEGURIDAD.

Al utilizar cualquier aparato eléctrico siempre deben tomarse precauciones básicas de seguridad, incluyendo las siguientes:

- Lea todas las instrucciones.
- No toque las superficies calientes. Use las asas o las perillas.
- A fin de protegerse contra un choque eléctrico y lesiones a las personas, no sumerja el cable, los enchufes ni el aparato en agua ni en ningún otro líquido.
- Todo aparato eléctrico usado en la presencia de los niños o por ellos mismos requiere la supervisión de un adulto.
- Desconecte el aparato del tomacorriente cuando no esté en uso y antes de limpiarlo. Espere que el aparato se enfríe antes de instalarlo o retirarle piezas y antes de limpiarlo.
- No use ningún aparato eléctrico que tenga el cable o el enchufe averiado, que presente un problema de funcionamiento o que este dañado. Contactar al departamento de apoyo para el cliente.
- El uso de accesorios no recomendados por el fabricante del aparato puede ocasionar incendio, choque eléctrico o lesiones a las personas.
- No permita que el cable cuelgue del borde de la mesa o del mostrador ni que entre en contacto con superficies calientes.
- No coloque el aparato sobre ni cerca de las hornillas de gas o eléctricas ni adentro de un horno caliente.
- Tome mucha precaución al mover de un lugar a otro un aparato que contenga aceite u otros líquidos calientes.
- Siempre conecte primero el cable al aparato y después, enchúfelo al tomacorriente. Para desconectar, ajuste todo control a la posición de apagado (OFF) y después, retire el enchufe del tomacorriente.
- Este aparato se debe usar únicamente con el fin previsto.
- El combustible, tal como las briquetas de carbón, jamás se debe usar con este aparato.
- Este aparato sólo puede ser enchufado a una toma de conexión a tierra.
- Este aparato no está diseñado para ser usado por personas (incluido niños) con capacidad limitada física, mental o sensoriales disminuidas y falta de experiencia o conocimiento que les impida utilizar el aparato con toda seguridad sin supervisión o instrucción.
- Se debe asegurar la supervisión de los niños para evitar que usen el aparato como juguete.
- Este producto no debe ser almacenado al aire libre.

## CONSERVE ESTAS INSTRUCCIONES. Este aparato eléctrico es para uso doméstico solamente.

### ENCHUFE DE TIERRA

Como medida de seguridad, este producto está equipado con un enchufe de tierra que se conecta a un tomacorriente de tres patas. No trate de alterar esta medida de seguridad. La conexión impropia del conductor de tierra puede resultar en el riesgo de descarga eléctrica. Consulte a un electricista calificado si tiene alguna duda en cuanto a si la salida es correcta a tierra.

### TORNILLO DE SEGURIDAD

**Advertencia:** Este aparato cuenta con un tornillo de seguridad para evitar la remoción de la cubierta exterior del mismo. A fin de reducir el riesgo de incendio o de choque eléctrico, por favor no trate de remover la cubierta exterior. Este producto no contiene piezas reparables por el consumidor. Toda reparación se debe llevar a cabo únicamente por personal de servicio autorizado.

### CABLE ELÉCTRICO

1. El producto se debe proporcionar con un cable eléctrico corto, a fin de reducir el riesgo de tropezar o de enredarse en un cable más largo.

2. Si se utiliza un cable separable o de extensión,
- a) El voltaje eléctrico del cable o del cable de extensión debe ser, como mínimo, igual al del voltaje del aparato, y
  - b) El cable debe acomodarse de modo que no cuelgue del mostrador o de la mesa, para evitar que un niño tire del mismo o que alguien se tropiece accidentalmente.
  - c) Para los productos de uso exterior, se debe usar cables de extensión apropiados para uso externo, y estos cables deben estar marcados con la letra "W" y deben traer etiquetas especificando que son aptos para uso con aparatos para uso exterior.
  - d) Los cables de extensión se deben mantener secos y retirados del piso.
  - e) Cuando los productos no estén en uso, guárdelos adentro, alejados del alcance de los niños.
  - f) No limpie este aparato con rociadores de agua ni productos semejantes.

**Nota:** Si el cordón de alimentación está dañado, en América Latina debe sustituirse por personal calificado o por el centro de servicio autorizado.



**Herramientas  
adicionales necesarias:**  
Destornillador Phillips

- †1. Asa de la tapa (Pieza N°22869)
- †2. Tapa (Pieza N° 22865 )
- †3. Bandeja de goteo (Pieza N° 22868)
- †4. Base de la parrilla (Pieza N° 22867)
- †5. Tubo superior del pedestal (Pieza N° 22872)
- †6. Tubo inferior del pedestal (Pieza N°22871)
- †7. Base del pedestal (Pieza N° GFO201-01)

- †8. Pies de la base pedestal (Pieza N° GFO201-02)
- †9. Control de temperatura (Pieza N° 22866)
- 10. Enchufe del control de temperatura
- 11. Interruptor del control de temperatura
- †12. Placas de cerámica (Pieza N° GFO201-03)

**Nota:** † indica piezas desmontables/  
reemplazables por el consumidor

## COMO USAR

Este producto es para uso doméstico solamente.

## PRIMEROS PASOS

- Retire todo material de empaque y cualquier etiqueta adherida al producto.
- Retire y conserve la literatura.
- Por favor, visite [www.prodprotect.com/applica](http://www.prodprotect.com/applica) para registrar su garantía.
- Lave la base de la parrilla, la parrilla, la bandeja para la grasa y la tapa en agua tibia jabonada. Enjuague y seque bien.

**Importante:** No sumerja el control de temperatura en agua ni en ningún otro líquido. Para limpiarlo, use un paño húmedo y séquelo bien.

## INSTRUCCIONES DE MONTAJE

1. Conecte las dos piezas del tubo del pedestal. Inserte el extremo estrecho del tubo superior del pedestal dentro de la parte de arriba del tubo inferior del pedestal.
2. Inserte los pies del pedestal en la base del pedestal hasta que escuche un clic al encajar en su lugar. Coloque la base del pedestal sobre una superficie plana, nivelada.
3. Inserte el extremo dentado del tubo ensamblado del pedestal en el orificio central de la base y empuje firmemente para abajo.
4. Coloque la base de la parrilla encima del montaje del tubo, asegurándose de que el orificio en el centro de la base encaje con el tubo.
5. Asegure la bandeja de goteo adentro de la base de la parrilla.
6. Rote la base de la parrilla hasta que la muesca en la parte inferior de la placa de a parrilla esté alineada con la ranura en la parte superior del tubo del pedestal. Coloque la parrilla firmemente en la base de la parrilla. Conecte el clip sujetador del tubo superior del pedestal a la base de la parrilla.
7. Inserte el control de temperatura a través de la abertura en la parte superior de la base de la parrilla.
8. Conecte el asa de la tapa desde el interior, utilizando un destornillador y los tornillos incluidos.
9. Coloque la tapa sobre la parrilla. ¡Su parrilla está lista para usar!

## PARA COCINAR AL AIRE LIBRE

1. Ajuste el control de temperatura a la posición de apagado (OFF) y conecte seguramente en su lugar.
2. Enchufe la parrilla a una toma de corriente estándar. Ajuste la temperatura según la luz indicadora y coloque la tapa seguramente sobre la parrilla. Permita que la parrilla se caliente a la temperatura deseada por unos 10 minutos.
3. Retire la tapa con cuidado y coloque los alimentos en la parrilla; cubra para la mayoría de alimentos. Cocine bien, volteando los alimentos durante el ciclo de cocción hasta quedar bien cocidos. Ajuste la temperatura conforme sea necesario.

**Sugerencia:** La luz indicadora del control de temperatura se ilumina intermitentemente indicando que la temperatura se mantiene constante. Esto es normal.

**Nota:** Se puede acumular condensación adentro de la tapa al cocinar.

**Importante:** Tenga cuidado al retirar la tapa.

4. Cuando termine de cocinar, gire el control de temperatura a la posición de apagado (OFF). La luz indicadora del control de temperatura se apaga. Desenchufe y espere que la parrilla se enfríe antes de desarmar y limpiarla. Consulte la sección de CUIDADO Y LIMPIEZA.

**Nota:** Ajuste el control de temperatura al nivel “1” para mantener tibios los alimentos por períodos cortos de tiempo.

**Nota:** Use utensilios de plástico o de madera solamente.

**Precaución:** Las superficies de la parrilla permanecen calientes mientras en uso. Permita que la parrilla, la bandeja de goteo, la tapa y la base de la parrilla se enfríen por completo antes de manejar el aparato y limpiarlo.

## PARA USO EN CASA

- Para utilizar su parrilla en el interior, simplemente desenganche la base de la parrilla del tubo superior del pedestal, luego alce la base fuera del tubo del pedestal y colóquela sobre una superficie resistente al calor.

**Importante:** Nunca use la parrilla sin la base colocada en su lugar.

**Precaución:** Ciertos acabados de superficies de mostradores son más susceptibles al calor; asegúrese de que la superficie del mostrador pueda resistir una temperatura de 150° F para evitar decoloración o cualquier otro daño a la superficie del mostrador.

## CUIDADO Y LIMPIEZA



**Precaución:** Para evitar quemaduras, deje que la parrilla se enfríe por completo antes de limpiarla.

Este producto no contiene piezas reparables por el consumidor. Para servicio, por favor acuda a personal calificado.

1. Desconecte la parrilla y permita que se enfríe por completo antes de desarmarla y limpiarla. Limpie bien todas las piezas después de cada uso.
2. Desconecte el control de temperatura y NO LO SUMERJA. Límpielo con un paño humedecido y séquelo bien.
3. Retire la parrilla y limpie la bandeja de goteo.
4. Lave la base de la parrilla, la parrilla, la bandeja de goteo y la tapa con agua tibia jabonada. Puede usar una almohadilla plástica de restregar para remover las manchas persistentes. Enjuague y seque bien.

**Importante:** No limpie ninguna parte de la parrilla con almohadillas de fibras metálicas ni limpiadores abrasivos; use almohadillas no metálicas o de nailon solamente.

**Precaución:** Asegúrese de que el control de temperatura esté completamente seco antes de conectarlo a la parrilla.

**Nota:** Este producto no debe ser almacenado al aire libre.

# TABLA DE COCCIÓN

La siguiente tabla se debe utilizar solamente como una guía. El tiempo de cocción dependerá del grosor de los alimentos. Para asegurarse de que su alimento está cocinado adecuadamente, el Departamento de Agricultura de los Estados Unidos (USDA) recomienda utilizar un termómetro para carnes para comprobar el punto de cocción del alimento. Inserte el termómetro en la parte más gruesa de la carne hasta que la temperatura se establezca.

ALIMENTO	AJUSTE DE TEMPERATURA	TIEMPO DE COCCIÓN <small>Voltee el alimento a mitad del tiempo de cocción</small>	COMENTARIOS
<b>CARNES</b>			
Hamburguesas, de carne fresca, 5 onzas	#4	8 a 10 minutos por cada lado o hasta alcanzar 160°F	Forme en hamburguesas de no más de ½ pulgada de grosor.
Carne al pincho	#4	4 a 6 minutos por cada lado para un término medio crudo 5 a 6 minutos por cada lado para término medio	Corte la carne y los vegetales en cubitos de 1 pulgada. Remoje los pinchos de madera para evitar quemaduras.
Bistec sin grasa ni hueso (filete de lomo, cortado tipo NY, tipo sirloin)	#5	Medio crudo (130 a 140°F) 3 a 4 minutos por cada lado Término medio (140 a 150°F) 4 a 6 minutos por cada lado Término medio cocinado (155 a 160°F) 6 a 8 minutos por cada lado	Basado en un grosor de ¾ de pulgada. Para lograr un bistec más jugoso, deje reposar de 2 a 3 minutos.
Perros calientes	#4	3 a 4 minutos o hasta alcanzar 145°F	Voltee para cocinar de manera uniforme.
<b>AVES</b>			
Pechuga de pollo sin hueso ni piel	#4	10 a 12 minutos por cada lado o hasta alcanzar una temperatura mínima de 165°F en la parte más gruesa	Golpee o corte el pollo a un grosor uniforme para cocinar de manera más uniforme.
Hamburguesas de carne molida de pavo	#4	8 a 10 minutos por cada lado o hasta alcanzar una temperatura mínima de 160°F	Forme en hamburguesas de ½ pulgada de grosor.
<b>CERDO</b>			
Chuletas de cerdo sin hueso	#4	6 a 7 minutos por cada lado o hasta alcanzar una temperatura mínima de 145°F	Basado en un grosor de ¾ de pulgada. Deje reposar por 2 a 3 minutos.
<b>PESCADO/MARISCOS</b>			
Filetes de salmón (5 onzas), sin piel	#5	3 a 4 minutos por cada lado o hasta alcanzar una temperatura mínima de 145°F	Utilizando un cepillo, úntele aceite a la superficie del salmón antes de cocinarlos para evitar que se pegue.
Camarones	#5	2 a 3 minutos o hasta que tenga un color rosado	Mezcle los camarones con un poco de sal antes de cocinarlos.
Filetes de pescado finitos (pescado de bandeja, tilapia, lenguado)	#4	3 a 4 minutos por cada lado o hasta alcanzar 145°F	Úntele aceite con un cepillo para evitar que se pegue.

ALIMENTO	AJUSTE DE TEMPERATURA	TIEMPO DE COCCIÓN <small>Voltee el alimento a mitad del tiempo de cocción</small>	COMENTARIOS
<b>VEGETALES</b> - <i>Mezcle los vegetales en aceite para añadir sabor y evitar que se sequen. Si es necesario, comience con el ajuste de temperatura #4 y luego reduzca a una temperatura más baja y cocinelos hasta que se ablanden.</i>			
Espárragos	#4	6 a 8 minutos o hasta se ablanden, volteandolos a mitad del tiempo de cocción.	El tiempo de cocción variará de acuerdo al diámetro que tengan.
Pimientos, sin semillas y cortados en cuartos	#4	3 a 4 minutos por cada lado	
Cebollas en rebanadas	#4	4 a 6 minutos por cada lado	½-inch thick
Calabacines de verano (calabacín amarillo, verde) en rebanadas	#4	4 a 5 minutos por cada lado	
<b>OTROS ALIMENTOS</b>			
Pizza refrigerada	#4	12 a 14 minutos o hasta que la pizza esté caliente y el queso se haya derretido	No se recomienda asar una pizza congelada.

## CARNE AL PINCHO CON SALSA DE BARBACOA ASIATICA

**Tiempo de preparación:** 15 minutos

**Tiempo total:** 30 minutos

### Ingredientes:

½ taza de salsa de tomate (ketchup)

3 cucharadas de salsa Hoisin

1 ½ libras de filete de lomo(tipo sirloin), cortado en pedazos de 1 ½ pulgadas

½ piña fresca, pelada y sin el corazón, cortada en pedazos de 1 pulgada

1 pimiento verde, cortado en pedazos de 1 pulgada

### Preparación:

Mezcle la salsa de tomate y la salsa Hoisin en un recipiente. Añada la carne y revuelva hasta que esté cubierta con la mezcla. Precaliente su parrilla en el ajuste de temperatura #4. Coloque la carne, la piña y el pimiento verde alternadamente en 6 pinchos (de 10 pulgadas). Ase los pinchos de 10 a 15 minutos para un término medio de cocción (160°F), volteando una vez y untandoles la salsa extra con un cepillo.

Sirva con arroz blanco o integral, si lo desea.

**Rinde 6 porciones**



## SALMÓN DORADO

*Unte esta sazón picante en el salmón antes cocinarlo.*

**Tiempo de preparación:** 5 minutos

**Tiempo total:** 25 minutos

### Ingredientes:

- 1 cucharada de pimentón
- ½ cucharada de pimienta roja (de cayena)
- ½ cucharada de cebolla en polvo
- 1 cucharadita de sal
- ¼ cucharadita de pimienta negra
- 1/8 cucharadita de CADA ESPECIA; tomillo, albahaca y oregano
- 2 filetes de salmón
- 2 cucharaditas de aceite de oliva

### Preparación:

Mezcle las especias en un recipiente pequeño. Precaliente su parrilla en el ajuste de temperatura #5. Unte aceite de oliva en las superficies de los filetes de salmón utilizando un cepillo; cubra con la mezcla de especias. Cocine de 4 a 5 minutos por cada lado hasta que estén cocinados (temperatura mínima de 145°F).

**Rinde 2 porciones**

## FAJITAS DE POLLO

*Envuelva la pechuga de pollo adobada, los pimientos y cebollas asados en tortillas de harina calientes.*

**Tiempo de preparación:** 25 minutos, incluyendo el tiempo de refrigeración

**Tiempo total:** 40 minutos

### Ingredientes:

- 2 cucharadas de aceite vegetal
- 1 pimiento verde mediano, sin la vena ni semilla y cortados en tiras
- 1 pimiento rojo, sin la vena ni semillas y cortado en tiras
- 1 cebolla mediana, rebanada
- 1 cucharadita de pimentón
- 1 cucharadita de chile en polvo
- 1 cucharadita de comino
- 1 cucharadita de ajo en polvo
- 1 cucharadita de sal gruesa
- 1 cucharada de jugo de lima fresco
- 1 ½ libras de pechuga de pollos, sin hueso ni piel, golpeada a un grosor de ½ pulgada
- 8 (de 8 pulgadas) de tortillas de harina, calentadas
- Lechuga rallada, queso rallado, guacamole, salsa y crema agría, como cobertura

### Preparación:

Coloque aceite en un recipiente pequeño. Añada los pimientos y la cebolla; mezcle para cubrirlos bien. Coloque hacia un lado. Coloque las especias en una bolsa sellable. Añada el jugo de lima y el pollo, selle y amase el pollo ligeramente para cubrirlo. Refrigere por 15 a 30 minutos. Precaliente su parrilla en el ajuste de temperatura #4. Cocine el pollo de 5 a 6 minutos por cada lado, hasta que esté cocinado (165°F). Retire el pollo de la parrilla; deje reposar por 3 minutos. Corte el pollo en tiras. Mientras tanto, coloque los pimientos y la cebolla en la parrilla; cocine volteando frecuentemente hasta que estén blandos y crujientes. Para servir, con una cuchara coloque el pollo, los vegetales y sus ingredientes preferidos en el centro de las tortillas; doble a la mitad.

**Rinde 8 porciones**

# ESPÁRRAGOS ASADOS CON QUESO FETA

**Tiempo de preparación:** 5 minutos

**Tiempo total:** 15 minutos

## **Ingredientes:**

- 1 libra de espárragos frescos, limpiados y recortados
- 2 cucharadas de aceite de oliva
- ¼ cucharadita de pimienta roja triturada
- 1/3 taza de queso feta desmenuzado

## **Preparación:**

Pre caliente su parrilla en el ajuste de temperatura #4. Cocine cubierto de 4 a 5 minutos. Volte los espárragos y cocine 4 minutos adicionales o hasta que estén blandos y crujientes. Retire de la parrilla. Cubra con queso feta antes de servir.

**Rinde 4 porciones.**

# HAMBURGUESA ESTILO TACO

**Tiempo de preparación:** 20 minutos

**Tiempo total:** 20 minutos

## **Ingredientes:**

- 1 libra de carne de res molida
- 1 paquete de sazón para tacos
- 1 cebolla pequeña, picada
- 4 panecillos de hamburguesas
- 4 rebanadas de queso cheddar
- 4 hojas de lechuga
- 4 rebanadas de tomate
- ¼ taza de mayonesa
- ¼ taza de salsa

## **Preparación:**

Pre caliente su parrilla en el ajuste de temperatura #3. Mezcle la carne molida, la sazón para tacos y la cebolla; forme en 4 hamburguesas (de ½ pulgada de grosor). Cocine las hamburguesas de 4 a 5 minutos por cada lado o hasta que estén cocinadas (160°F). Retire de la parrilla; cubra con las rebanadas de queso. Mezcle la mayonesa y la salsa. Llène cada panecillo con lechuga, tomate, hamburguesa y salsa.

**Rinde 4 porciones**

**Variación:** *Para preparar mini hamburguesas, forme en 8 bolas (de 2 onzas). Aplástelas ligeramente y cocine de 4 a 5 minutos por cada lado o hasta alcanzar 160°F. Sirva en un panecillo pequeño de sándwich con los ingredientes deseados.*

# INFORMACIÓN DE GARANTÍA Y SERVICIO AL CLIENTE

Para servicio, reparaciones o preguntas relacionadas al producto, por favor llame al número del centro de servicio que se indica para el país donde usted compró su producto. NO devuelva el producto al fabricante. Llame o lleve el producto a un centro de servicio autorizado. Usted también puede consultar a nuestro Centro de Protección del Producto en [www.prodprotect.com/applica](http://www.prodprotect.com/applica).

## **Tres Años de Garantía Limitada**

(No aplica en México, Estados Unidos y Canada)

### **¿Qué cubre mi garantía?**

- Su garantía cubre cualquier defecto de material o de mano de obra, siempre y cuando la responsabilidad de Spectrum Brands, Inc. no exceda el precio de compra del producto.

### **¿Por cuánto tiempo es válida la garantía?**

- Su garantía se extiende por tres años a partir de la fecha original de compra mientras que tenga una prueba de la compra.

### **¿Qué tipo de asistencia provee mi garantía?**

- Su garantía le brinda un producto de reemplazo similar que sea nuevo o que ha sido restaurado de fábrica.

### **¿Cómo se puede obtener asistencia?**

- Conserve el recibo original de compra.
- Para servicio al cliente y para registrar su garantía, visite [www.prodprotect.com/applica](http://www.prodprotect.com/applica), o llame al número 1-800-231-9786, para servicio al cliente
- Por favor llame al número del centro de servicio autorizado. 1-800-738-0245.

### **¿Qué no cubre mi garantía?**

- Los productos que han sido utilizados en condiciones distintas a las normales.
- Los daños ocasionados por el mal uso, el abuso o negligencia.
- Los productos que han sido alterados de alguna manera.
- Los daños ocasionados por el uso comercial del producto.
- Los productos utilizados o reparados fuera del país original de compra.
- Las piezas de vidrio y demás accesorios empacados con el aparato.
- Los gastos de tramitación y embarque asociados al reemplazo del producto.
- Los daños y perjuicios indirectos o incidentales.

### **¿Cómo afecta a mi garantía la ley estatal?**

- Esta garantía le otorga derechos legales específicos y el consumidor podría tener otros derechos que varían de una región a otra.

# IMPORTANTES CONSIGNES DE SÉCURITÉ.

Lorsqu'on utilise des appareils électriques, il faut toujours respecter certaines règles de sécurité fondamentales, notamment les suivantes :

- Lire toutes les instructions.
- Ne pas toucher aux surfaces chaudes. Utiliser les poignées ou les boutons de l'appareil.
- Afin d'éviter les risques de choc électrique, ne pas immerger le cordon, la fiche ou l'appareil dans l'eau ou dans d'autres liquides.
- Exercer une étroite surveillance lorsque l'appareil est utilisé à proximité d'un enfant ou lorsqu'un enfant s'en sert.
- Débrancher l'appareil lorsqu'il n'est pas en marche et avant le nettoyage. Le laisser refroidir avant d'installer ou de retirer des pièces, et avant de le nettoyer.
- Ne pas utiliser un appareil dont la fiche ou le cordon sont abîmés, qui présente un problème de fonctionnement, ou qui est endommagé de quelque façon que ce soit. Communiquer avec le Service de soutien à la clientèle.
- L'utilisation d'accessoires non recommandés par le fabricant de l'appareil présente des risques de blessures.
- Ne pas laisser le cordon pendre du rebord d'une table ou d'un comptoir, ou toucher une surface chaude.
- Ne pas placer l'appareil sur un brûleur au gaz ou électrique ou près d'un tel appareil, ni dans un four chaud.
- Faire preuve d'une grande prudence au moment de déplacer un appareil qui contient de l'huile chaude ou d'autres liquides chauds.
- Toujours fixer la fiche à l'appareil d'abord, puis brancher le cordon dans la prise de courant. Pour débrancher l'appareil, mettre tout bouton de commande en position d'arrêt (OFF), puis débrancher l'appareil de la prise de courant.
- N'utiliser cet appareil que pour les fonctions auxquelles il est destiné.
- Ne pas utiliser de combustible, tel que des briquettes de charbon, avec cet appareil.
- Utiliser l'appareil seulement s'il est branché dans une prise de courant correctement mise à la terre.
- Cet appareil n'est pas conçu pour être utilisé par des personnes (notamment des enfants) dont les capacités physiques, sensorielles ou mentales sont réduites ou qui manquent d'expérience ou de connaissances, à moins qu'elles ne soient supervisées ou dirigées par une personne responsable de leur sécurité pendant l'utilisation.
- Les enfants doivent être supervisés afin d'éviter qu'ils jouent avec l'appareil.
- Cet appareil ne doit pas être entreposé à l'extérieur.
- S'assurer que les pattes sont assemblées et fixées correctement.
- Voir les instructions au sujet de l'assemblage du support dans la rubrique « INSTRUCTIONS D'ASSEMBLAGE » de la page 4.

## CONSERVER CES INSTRUCTIONS.

L'appareil est conçu pour une utilisation domestique seulement.

### FICHE POLARISÉE

Cet appareil est doté d'une fiche polarisée (l'une des broches est plus large que l'autre). Afin de réduire les risques de chocs électriques, la fiche se branche dans une prise polarisée dans un sens seulement. Si la fiche n'entre pas complètement dans la prise, tourner la fiche. Si la fiche n'entre toujours pas, communiquer avec un électricien qualifié. Ne pas tenter de modifier la fiche.

### VIS INDESERRABLE

AVERTISSEMENT: L'appareil est doté d'une vis indesserrable empêchant l'enlèvement du couvercle extérieur. Pour réduire les risques d'incendie ou de secousses électriques, ne pas tenter de retirer le couvercle extérieur. L'utilisateur ne peut pas remplacer les pièces de l'appareil. En confier la réparation seulement au personnel des centres de service autorisés.

### CORDON

1. Un cordon d'alimentation court est fourni pour éviter qu'un cordon long s'emmêle ou fasse trébucher.
2. Des rallonges électriques sont disponibles et peuvent être utilisées avec prudence.
3. Si vous utilisez un cordon d'alimentation amovible long ou une rallonge :

- a) le calibre indiqué du cordon ou de la rallonge doit être au moins aussi élevé que celui de l'appareil;
- b) si l'appareil est mis à la terre, la rallonge doit être de type mise à la terre avec 3 broches;
- c) le cordon électrique doit être disposé de façon à ce qu'il ne pendre pas du comptoir ou de la table, qu'il ne soit pas à la portée des enfants et qu'il ne fasse pas trébucher;
- d) la rallonge utilisée avec un appareil d'extérieur doit être conçue pour l'extérieur. Ce type de rallonge comporte le suffixe « W » inscrit sur sa surface et une étiquette mentionnant que la rallonge CONVIENT À L'UTILISATION AVEC UN APPAREIL D'EXTÉRIEUR;
- e) la rallonge doit demeurer sèche et ne pas être en contact avec le sol;
- f) le produit doit être rangé à l'intérieur et hors de portée des enfants lorsqu'il ne sert pas; et
- g) ce produit ne doit pas être nettoyé à l'aide d'un jet d'eau ou d'une méthode similaire.

**Remarque:** Si le cordon d'alimentation est endommagé, le faire remplacer par un technicien qualifié ou, en Amérique latine, par un centre de service autorisé.

## FAMILIARISATION AVEC VOTRE GRIL INTÉRIEUR-EXTÉRIEUR



**Outils supplémentaires  
requis : Tournevis crucifo**

- †1. Poignée du couvercle (Part # 22869)
  - †2. Couvercle (Part #22865 )
  - †3. Plateau d'égouttage (Part # 22868)
  - †4. Base du grill (Part # 22867)
  - †5. Tube supérieur du support (Part #22872)
  - †6. Tube inférieur du support (Part # 22871)
  - †7. Base du support (Part # GFO201-01)
  - †8. Pieds du support (Part # GFO201-02)
  - †9. Sonde de commande de la température (Part # 22866)
  - 10. Logement de la sonde
  - 11. Découpe de la sonde
  - †12. Plaque du grill revêtue de céramique (Part # GFO201-03)
- Remarque :** Le symbole † indique une pièce amovible/remplaçable par l'utilisateur.

# UTILISATION

Cet appareil est conçu pour un usage domestique seulement.

## POUR COMMENCER

- Retirer tout matériau d'emballage, toute étiquette et la bande de plastique entourant la fiche.
- Retirer et conserver la documentation.
- Visiter le [www.prodprotect.com/applica](http://www.prodprotect.com/applica) pour enregistrer la garantie.
- Laver la plaque du grill, le plateau d'égouttage et le couvercle avec de l'eau chaude savonneuse. Bien sécher.

**Important:** Ne pas immerger la sonde de commande de la température dans l'eau ou dans un autre liquide. Pour la nettoyer, l'essuyer à l'aide d'un linge humide et bien la sécher.

## INSTRUCTIONS D'ASSEMBLAGE

1. Assembler le tube du support en joignant les deux moitiés du tube. Insérer l'extrémité fuselée du tube supérieur du support dans le haut du tube inférieur du support, puis visser les tubes ensemble.
2. Insérer le pied du support dans la base du support jusqu'à ce qu'un déclic se fasse entendre. Placer le support sur une surface plane et de niveau.
3. Insérer l'extrémité fendue du tube du support assemblé dans le trou au centre de la base du support, puis pousser fermement vers le bas.
4. Placer la base du grill au dessus du tube du support, et s'assurer que le trou situé au centre de la base du grill est aligné avec le tube.
5. Placer le plateau d'égouttage solidement dans la base du grill.
6. Faire pivoter la base du grill jusqu'à ce que l'encoche sur la base de la plaque du grill soit alignée avec la fente du tube supérieur du support. Placer le grill solidement sur la base du grill. Fixer l'attache du tube supérieur du support à la base du grill.
7. Passer le logement de la sonde dans la découpe de la sonde sur la partie supérieure de la base du grill.
8. Fixer la poignée du couvercle au couvercle, à partir de l'intérieur, à l'aide d'un tournevis et des vis incluses.
9. Placer le couvercle sur le grill. Le grill est prêt à être utilisé!

## UTILISATION À L'EXTÉRIEUR

1. Tourner la sonde de commande de la température à la position d'arrêt (OFF) et la fixer solidement dans son logement.
2. Brancher l'appareil dans une prise de courant standard. Aligner le réglage de température voulu avec le témoin. Placer le couvercle solidement sur le grill. Laisser le grill préchauffer à la température voulue, soit pendant environ 10 minutes.
3. Soulever le couvercle soigneusement et placer les aliments sur le grill; pour la plupart des aliments, vous devrez remettre le couvercle sur le grill. Cuire jusqu'à ce que les aliments soient cuits, en prenant soin de les retourner au moins une fois à la mi-cuisson pour ce qui est de la plupart des aliments. Ajuster la température selon le besoin.

**Conseil :** Le témoin situé sur la sonde de commande de la température s'allumera et s'éteindra en alternance pendant que le thermostat du grill maintient la bonne température. Cela est normal.

**Remarque :** Pendant la cuisson, de la condensation pourrait se former à l'intérieur du couvercle.

**Important:** Faire preuve de prudence lors du retrait du couvercle.

- Après la cuisson, tourner la sonde de commande de la température à la position d'arrêt (OFF). Le témoin de la sonde de commande de température s'éteindra. Débrancher le gril et le laisser refroidir avant de le désassembler et de le nettoyer. Voir la section ENTRETIEN ET NETTOYAGE.

**Remarque :** Il est possible de régler la sonde de commande de la température à la position 1 pour garder les aliments chauds pendant une courte période de temps.

**Remarque :** Se servir uniquement d'ustensiles en plastique ou en bois sur la surface antiadhésive.

**Mise en garde :** Les surfaces du gril sont très chaudes durant l'utilisation. Laisser le gril, le plateau d'égouttage, le couvercle et la base du gril refroidir complètement avant de les manipuler et de les nettoyer.

## UTILISATION À L'INTÉRIEUR

- Pour utiliser le gril à l'intérieur, détacher puis retirer la base du gril du tube supérieur du support, et placer la base sur une surface résistante à la chaleur.

**Important:** Ne jamais utiliser le gril si sa base n'est pas solidement en place.

**Mise en garde :** Certains finis de comptoir sont plus sensibles à la chaleur; s'assurer que la surface du comptoir peut résister à une température de 65 °C (150 °F) pour éviter de la décolorer ou de l'endommager.

## ENTRETIEN ET NETTOYAGE



**Mise en garde :** Pour éviter les brûlures accidentelles, laisser refroidir le gril complètement avant de le nettoyer.

Cet appareil ne contient aucune pièce réparable par l'utilisateur. Confier la réparation à un technicien qualifié.

- Débrancher le gril et le laisser refroidir avant de le désassembler et de le nettoyer. Nettoyer toutes les pièces à fond après chaque utilisation.
- Retirer la sonde de commande de la température (NE PAS IMMERGER DANS L'EAU). Essuyer à l'aide d'un linge humide et bien sécher.
- Enlever la base du gril et vider le plateau d'égouttage.
- Laver la plaque du gril, le plateau d'égouttage et le couvercle avec de l'eau chaude savonneuse. Bien sécher.

**Important:** Ne pas utiliser de tampons à récurer métalliques, de laine d'acier ou tout autre nettoyant abrasif pour nettoyer n'importe quelle partie du gril. Utiliser uniquement des tampons à récurer en nylon ou non métalliques.

**Mise en garde :** Le logement de la sonde de commande de la température doit toujours être complètement sec avant l'utilisation. S'assurer que le logement de la sonde est sec avant d'y insérer la sonde de commande.

**Remarque :** Cet appareil ne doit pas être entreposé à l'extérieur.

# TABLEAU DE CUISSON

Le tableau suivant est fourni uniquement à titre indicatif. Le temps de cuisson dépend de l'épaisseur des aliments. Pour s'assurer que les aliments sont cuits, la USDA recommande d'utiliser un thermomètre à viande pour vérifier si les aliments ont atteint leur point de cuisson. Insérer le thermomètre dans la partie la plus épaisse de la viande et attendre que la température se stabilise.

ALIMENT	RÉGLAGE DE LA TEMPÉRATURE	TEMPS DE CUISSON <small>Tourner les aliments à mi-cuisson</small>	CONSEILS/ REMARQUES
<b>VIANDE</b>			
Hamburgers, frais, 115 g (5 oz)	#4	8-10 min par côté ou jusqu'à 71 °C (160 °F)	Former des galettes de 1,3 cm (1/2 po) au plus
Brochettes de bœuf	#4	4-6 min par côté pour mi-saignant 5-6 min par côté pour à point	Découper la viande et les légumes en cubes de 2,5 cm (1 po). Faire tremper les broches en bois pour éviter qu'elles ne brûlent.
Bifteck maigre, désossé (contre-filet, surlonge, filet)	#5	Mi-saignant (55-60 °C/130-140 °F) 3-4 min par côté À point (60-65 °C/140-150 °F) 4-6 min par côté À point/bien cuit (68-71 °C/155-160 °F) 6-8 min par côté	Fondé sur une épaisseur de 1,9 cm (3/4 po). Pour un bifteck plus saignant, laisser reposer 2-3 min avant de servir.
Hot Dogs	#4	3-4 min ou jusqu'à 62 °C (145 °F)	Tourner pour un grillage uniforme.
<b>VOLAILLE</b>			
Poitrine de poulet désossée, sans la peau	#4	10-12 min par côté ou jusqu'à température minimale de 71 °C (165 °F) dans la partie la plus épaisse.	Aplatir la viande au maillet ou couper le poulet en morceaux de même épaisseur pour une cuisson plus uniforme.
Burgers de dinde hachée	#4	8-10 min par côté ou jusqu'à température minimale de 71 °C (160 °F)	Former des galettes de 1,3 cm (1/2 po) d'épaisseur
<b>PORC</b>			
Côtelettes de porc désossé	#4	6-7 min par côté ou jusqu'à température minimale de 62 °C (145 °F)	Fondé sur une épaisseur de 1,9 cm (3/4 po). Laisser reposer 2-3 min
<b>POISSON / FRUITS DE MER</b>			
Filets de saumon 140 g/5 oz), sans peau	#5	3-4 min par côté ou jusqu'à température minimale de 62 °C (145 °F)	Brosser la surface du saumon avec de l'huile avant le grillage pour éviter qu'il ne colle.
Crevettes	#5	2-3 min par côté ou jusqu'à rose	Remuer les crevettes dans un peu de sel avant le grillage.
Minces filets de poisson (perche, tilapia, sole)	#4	3-4 min par côté ou jusqu'à 62 °C (145 °F)	Brosser d'huile pour éviter qu'ils ne collent
<b>LÉGUMES</b> - <i>Tremper les légumes dans l'huile pour ajouter de la saveur et éviter qu'ils ne sèchent. Au besoin, commencer la cuisson à 4, puis réduire la température et faire cuire jusqu'à ce qu'ils soient tendres.</i>			
Asperges	#4	6-8 min ou jusqu'à ce qu'elles soient tendres; tourner à mi-cuisson pendant le grillage.	Le temps de grillage varie selon le diamètre des aliments.



ALIMENT	RÉGLAGE DE LA TEMPÉRATURE	TEMPS DE CUISSON <small>Tourner les aliments à mi-cuisson</small>	CONSEILS/ REMARQUES
Poivrons, épépinés et en quartiers	#4	3-4 min par côté	
Oignons tranchés	#4	4-6 min par côté	1,2 cm (1/2 po) d'épaisseur
Courges d'été (jaunes, zucchini), tranchées	#4	4-5 min par côté	
<b>AUTRE</b>			
Pizza réfrigérée	#4	12-14 min ou jusqu'à ce que la pizza soit chaude et que le fromage ait fondu.	Il n'est pas recommandé de griller une pizza surgelée.

## BROCHETTES DE BŒUF ASIATIQUES

**Temps de préparation :** 15 min

**Temps total :** 30 min

### Ingrédients :

- 125 ml (½ tasse) de ketchup
- 45 ml (3 c. à table) de sauce hoisin
- 750 g de bifteck de surlonge, découpé en morceaux de 4 cm
- 1/2 ananas frais, pelé et cœur enlevé, coupé en morceaux de 2,5 cm (1 po)
- 1 poivron vert, coupé en morceaux de 2,5 cm (1 po)

### Directives :

Mélanger le ketchup et la sauce hoisin dans un bol. Ajouter le bœuf et agiter jusqu'à ce que les morceaux soient bien enrobés. Préchauffer le gril au réglage 4. Disposer les morceaux de bœuf, d'ananas et de poivron vert alternativement sur 6 broches (25 cm/10 po). Griller les brochettes de 10 à 15 minutes pour une cuisson à point (71 °C/160 °F), en tournant une fois et en brossant de sauce additionnelle. Servir avec du riz blanc ou brun si désiré.

**Portions :** 6

## SAUMON NOIRCI

*Enrober le saumon de cet assaisonnement épicé avant le grillage.*

**Temps de préparation :** 5 min

**Temps total :** 15 min

### Ingrédients :

- 15 ml (1 c. à table) de paprika
- 8 ml (½ c. à table) de poivre de cayenne
- 8 ml (½ c. à table) d'oignon en poudre
- 5 ml (1 c. à thé) de sel
- 1,25 ml (¼ c. à thé) de poivre noir
- 1/2 ml (1/8 c. à thé), de thym, de basilic et d'origan (chacun)
- 2 filets de saumon
- 10 ml (2 c. à thé) d'huile d'olive

### Directives:

Mélanger les épices dans un petit bol. Préchauffer le gril au réglage 5. Brosser d'huile d'olive la surface des filets de saumon; garnir avec le mélange d'épices. Griller de 4 à 5 minutes de chaque côté ou jusqu'à ce qu'ils soient cuits (62 °C/145 °F min).

**Portions:** 2

## FAJITAS AU POULET

*Envelopper les poitrines de poulet, les poivrons et les oignons grillés et marinés dans des tortillas à la farine chauds.*

**Temps de préparation :** 25 min, incluant la réfrigération

**Temps total :** 40 min

### Ingrédients :

30 ml (2 c. à table) d'huile végétale  
1 poivron vert de taille moyenne, évidé, épépiné en découpé en languettes  
1 poivron rouge de taille moyenne, évidé, épépiné en découpé en languettes  
1 oignon moyen, tranché  
5 ml (1 c. à thé) de paprika  
5 ml (1 c. à thé) de poudre de chili  
5 ml (1 c. à thé) de cumin  
5 ml (1 c. à thé) de poudre d'ail  
5 ml (1 c. à thé) de sel cachet  
15 ml (1 c. à table) de jus de lime frais  
750 g (1 ½ lb) de poitrine de poulet désossée, sans la peau, aplatie en morceaux de 1,2 cm (½ po) d'épaisseur  
8 tortillas à la farine (20 cm/8 po), chauds  
Laitue déchirée, fromage râpé, guacamole, salsa et crème sure, pour garniture

### Directives :

Verser l'huile dans un petit bol à mélanger. Ajouter les poivrons et les oignons; mélanger pour enrober. Réserver. Placer les épices dans un sac en plastique hermétique. Ajouter le jus de lime et le poulet, fermer le sac et agiter délicatement le poulet pour l'enrober. Réfrigérer de 15 à 30 minutes. Préchauffer le gril au réglage 4. Cuire le poulet de 5 à 6 minutes de chaque côté ou jusqu'à ce qu'il soit cuit (74 °C/165 °F min). Retirer le poulet du gril; laisser reposer 3 minutes. Découper le poulet en languettes. Entre-temps, placer les poivrons et les oignons sur le gril; cuire en tournant fréquemment jusqu'à ce qu'ils soient croustillants. Pour servir, avec une cuillère, garnir le poulet et les légumes de votre choix de garniture au centre des tortillas; plier en deux.

**Portions :** 8

## ASPERGES AVEC FROMAGE FETA

**Temps de préparation :** 5 min

**Temps total :** 15 min

### Ingrédients :

450 g (1 lb) d'asperges fraîches, lavées et parées  
30 ml (2 c. à table) d'huile d'olive  
1,25 ml (¼ c. à thé) de flocons de piment rouge écrasé  
80 ml (⅓ tasse) de fromage feta émietté

### Directives :

Préchauffer le gril au réglage 4. Mélanger les asperges avec l'huile d'olive et les flocons de piment rouge. Griller le couvercle fermé, de 4 à 5 minutes. Tourner les asperges et griller 4 minutes additionnelles ou jusqu'à ce qu'elles soient tendres et croustillantes. Les retirer du gril. Garnir de fromage feta avant de servir.

**Portions:** 4

# TACO BURGER

**Temps de préparation :** 20 min

**Temps total :** 20 min

## Ingrédients :

450 g (1 lb) de bœuf haché  
1 sachet d'assaisonnement à taco  
1 petit oignon, haché  
4 pains à hamburgers  
4 tranches de fromage cheddar  
4 feuilles de laitue  
4 tranches de tomate  
60 ml (¼ tasse) de mayonnaise  
60 ml (¼ tasse) de salsa

## Directives :

Préchauffer le gril au réglage 3. Mélanger le bœuf haché, l'assaisonnement à taco et l'oignon; former 4 galettes de 1,2 cm (1/2 po) d'épaisseur. Cuire les galettes de 4 à 5 minutes de chaque côté ou jusqu'à ce qu'elles soient cuites (71 °C/160 °F). Les retirer du gril; garnir de tranches de fromage. Mélanger la mayonnaise et la salsa. Garnir chaque pain de laitue, tomates, bœuf et salsa.

## Portions : 4

**Variante :** *Pour obtenir des mini burgers, former 8 boulettes de 56 g (2 oz). Aplatir légèrement les boulettes et griller de 4 à 5 minutes de chaque côté ou jusqu'à (71 °C/160 °F). Servir sur petits pains à sandwich avec garnitures.*

# RENSEIGNEMENTS DE GARANTIE ET SERVICE À LA CLIENTÈLE

Pour communiquer avec les services d'entretien ou de réparation, ou pour adresser toute question relative au produit, composer le numéro sans frais approprié indiqué sur la page couverture. **Ne pas** retourner le produit où il a été acheté. **Ne pas** poster le produit au fabricant ni le porter dans un centre de service. On peut également consulter le site web indiqué sur la page couverture.

## **Garantie Limitée De 3 Ans (Valable seulement aux États-Unis et au Canada)**

### **Quelle est la couverture?**

- Tout défaut de main-d'oeuvre ou de matériau; toutefois, la responsabilité de la société. Applica se limite au prix d'achat du produit.

### **Quelle est la durée?**

- 3 année(s) à compter de la date d'achat initiale, avec une preuve d'achat.

### **Quelle aide offrons nous?**

- Remplacement par un produit raisonnablement semblable nouveau ou réusiné.

### **Comment se prévaut-on du service?**

- Conserver son reçu de caisse comme preuve de la date d'achat.
- Visiter notre site web au [www.prodprotect.com/applica](http://www.prodprotect.com/applica), ou composer sans frais le **1-800 231-9786**, pour obtenir des renseignements généraux relatifs à la garantie.
- On peut également communiquer avec le service des pièces et des accessoires au **1-800 738-0245**.

### **Qu'est-ce que la garantie ne couvre pas?**

- Des dommages dus à une utilisation commerciale.
- Des dommages causés par une mauvaise utilisation ou de la négligence.
- Des produits qui ont été modifiés.
- Des produits utilisés ou entretenus hors du pays où ils ont été achetés.
- Des pièces en verre et tout autre accessoire emballés avec le produit.
- Les frais de transport et de manutention reliés au remplacement du produit.
- Des dommages indirects (il faut toutefois prendre note que certains états ne permettent pas l'exclusion ni la limitation des dommages indirects).

### **Quelles lois régissent la garantie?**

- Les modalités de la présente garantie donnent des droits légaux spécifiques. L'utilisateur peut également se prévaloir d'autres droits selon l'état ou la province qu'il habite.

# PÓLIZA DE GARANTÍA

(Válida sólo para México)

## DURACIÓN

Rayovac de México SA de CV garantiza este producto por 2 años a partir de la fecha original de compra.

### ¿Qué cubre esta garantía?

- Esta Garantía cubre cualquier defecto que presenten las piezas, componentes y la mano de obra contenidas en este producto.
- Requisitos para hacer válida la garantía
- Para reclamar su Garantía deberá presentar al Centro de Servicio Autorizado la póliza sellada por el establecimiento en donde adquirió el producto. Si no la tiene, podrá presentar el comprobante de compra original.

### ¿Donde hago válida la garantía?

- Llame sin costo al teléfono 01 800 714 2503, para ubicar el Centro de Servicio Autorizado más cercano a su domicilio en donde usted podrá encontrar partes, componentes, consumibles y accesorios.

### Procedimiento para hacer válida la garantía

Acuda al Centro de Servicio Autorizado con el producto con la póliza de Garantía sellada o el comprobante de compra original, ahí se reemplazará cualquier pieza o componente defectuoso sin cargo alguno para el usuario final. Esta Garantía incluye los gastos de transportación que se deriven de su cumplimiento.

### Excepciones

Esta Garantía no será válida cuando el producto:

- A) Se hubiese utilizado en condiciones distintas a las normales.
- B) No hubiese sido operado de acuerdo con el instructivo de uso que le acompaña.
- C) Cuando el producto hubiese sido alterado o reparado por personas no autorizadas por Rayovac de México SA de CV.

**Nota:** Usted podrá encontrar partes, componentes, consumibles y accesorios en los centros de servicios autorizados. Esta garantía incluyen los gastos de transportación que se deriven de sus cumplimiento dentro de sus red de servicio.

Por favor llame al número correspondiente que aparece en la lista a continuación para solicitar que se haga efectiva la garantía y donde Ud. puede solicitar servicio, reparaciones o partes en el país donde el producto fué comprado.

### **Argentina**

Servicio Técnico  
Monroe 3351  
CABA Argentina  
Tel: 0800 – 444 - 7296  
servicios@rayovac.com.ar

### **Chile**

SERVICIO DE MAQUINAS Y HERRAMIENTAS  
LTDA.  
Portugal N° 644  
Santiago – Chile  
Fonos: 02-6355208 / 02-6341169  
Email: servicio@spectrumbrands.cl  
Call center: 800-171-051

### **Colombia**

Rayovac Varta S.A  
Carrera 17 Número 89-40  
Línea gratuita nacional  
Tel. 018000510012

### **Costa Rica**

Aplicaciones Electromecánicas, S.A.  
Calle 26 Bis y Ave. 3  
San Jose, Costa Rica  
Tel. (506) 257-5716 / 223-0136  
administracion@masterecuador.com

### **Ecuador**

SERVICIO MASTER ECUADOR  
ALMERIA N50-71 Y DE LOS ALAMOS  
Tel. (593) 2281-3882 / 2240-9870

### **El Salvador**

Calle San Antonio Abad 2936  
San Salvador, El Salvador  
Tel. (503) 2284-8374

### **Guatemala**

MacPartes SA  
3ª Calle 414 Zona 9  
Frente a Tecun  
Tel. (502) 2331-5020 / 2332-2101

### **Honduras**

ServiTotal  
Contigua a Telecentro  
Tegucigalpa, Honduras,  
Tel. (504) 235-6271

### **México**

Artículo 123 # 95 Local 109 y 112  
Col. Centro, Cuauhtemoc,  
México, D.F.  
Tel. 01 800 714 2503

### **Nicaragua**

ServiTotal  
De semáforo de portezuelo  
500 metros al sur.  
Managua, Nicaragua,  
Tel. (505) 248-7001

### **Panamá**

Servicios Técnicos CAPRI  
Tumbamuerto Boulevard  
El Dorado Panamá  
500 metros al sur.  
Tel. 3020-480-800 sin costo  
(507) 2360-236 / 159

### **Perú**

Servicio Central Fast Service  
Av. Angamos Este 2431  
San Borja, Lima Perú  
Tel. (511) 2251 388

### **Puerto Rico**

Buckeye Service  
Jesús P. Piñero #1013  
Puerto Nuevo, SJ PR 00920  
Tel.: (787) 782-6175

### **Republica Dominicana**

Prolongación Av. Rómulo Betancourt  
Zona Industrial de Herrera  
Santo Domingo, República Dominicana  
Tel.: (809) 530-5409

### **Venezuela**

Inversiones BDR CA  
Av. Casanova C.C.  
City Market Nivel Plaza Local 153  
Diagonal Hotel Melia,  
Caracas.  
Tel. (582) 324-0969  
  
www.applicaservice.com  
servicio@applicamail.com

Sello del Distribuidor:

Fecha de compra:

Modelo:

**Código de fecha / Date Code / Le code de date:**

GF0201 - 1440 W 120 V ~ 60 HZ

Comercializado por:  
Rayovac de México S.A de C.V  
Autopista México Querétaro  
No 3069-C Oficina 004  
Colonia San Andrés Atenco, Tlalnepantla  
Estado de México, C.P. 54040  
Mexico.  
Tel: (55) 5831 - 7070  
Servicio y Reparación  
Art. 123 No. 95  
Col. Centro, C.P. 06050  
Deleg. Cuauhtemoc  
Servicio al Consumidor,

Venta de Refacciones y Accesorios

01 800 714 2503

Importado por / Imported by:

RAYOVAC ARGENTINA S.R.L.  
Humboldt 2495 Piso# 3  
(C1425FUG) C.A.B.A. Argentina.  
C.U.I.T No. 30-70706168-1

Importado por / Imported by:

Rayovac de México S.A de C.V  
Autopista México Querétaro  
No 3069-C Oficina 004  
Colonia San Andrés Atenco, Tlalnepantla  
Estado de México, C.P. 54040  
Mexico.

Tel: (55) 5831-7070

Para atención de garantía marque:  
01 (800) 714 2503

USA/Canada 1-800-231-9786  
Accessories/Parts 1-800-738-0245  
Register your product at [www.prodprotect.com/applica](http://www.prodprotect.com/applica)

EE.UU/Canadá 1-800-231-9786  
Accesorios/Partes 1-800-738-0245  
Registre su producto a [www.prodprotect.com/applica](http://www.prodprotect.com/applica)

EE.UU/Canadá 1-800-231-9786  
Accessoires/Pièces 1-800-738-0245  
inscrire votre produit en ligne, [www.prodprotect.com/applica](http://www.prodprotect.com/applica)

**Made and Printed in China.**

**Fabricado e Impreso en China.**

**Fabriqué et Imprimé en Chine.**

® Registered Trademark and ™ Trademark of Spectrum Brands, Inc.  
Les symboles ® et ™ indiquent respectivement une marque déposée  
et une marque de commerce de Spectrum Brands, Inc.

© 2014 Spectrum Brands, Inc.  
Middleton, WI 53562

T22-5001430  
2014/9/9/88RV01 E/S/F