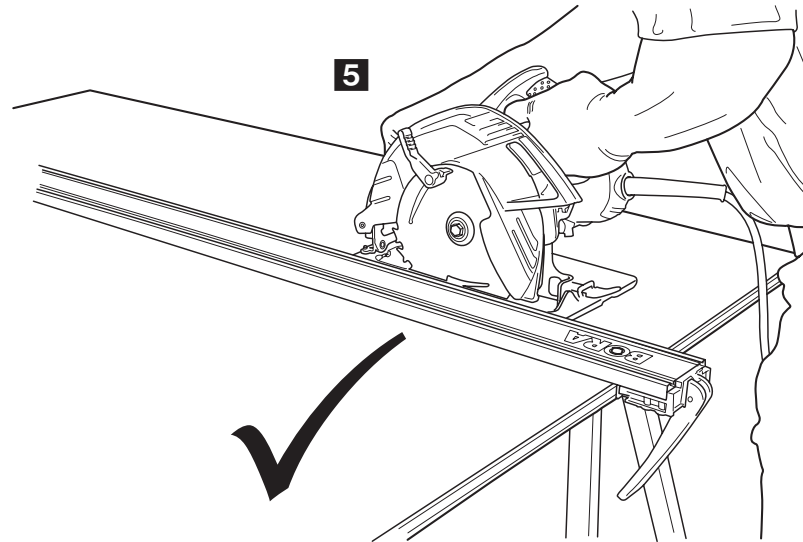
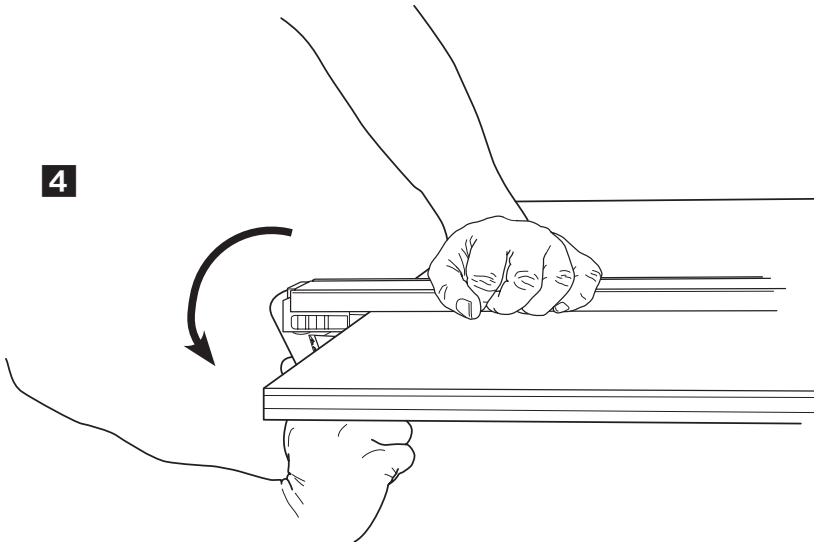
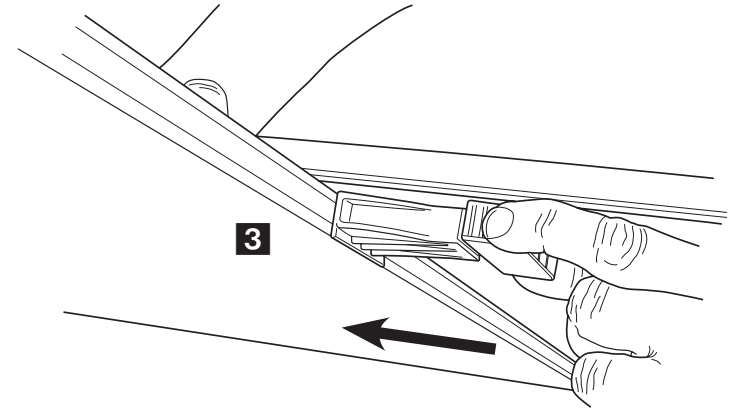
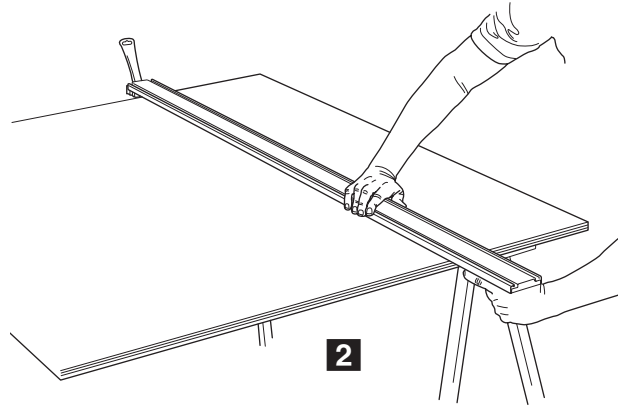
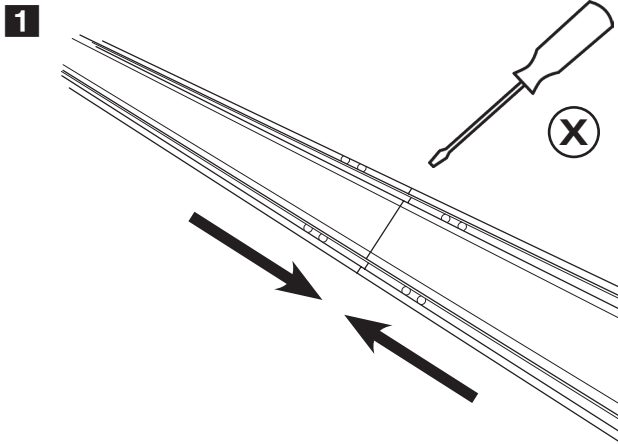


WTX Clamp Edge Cutting Guides



Questions?



**Wait! Don't return
product to store.**

**Give us a call first.
866-588-0395**

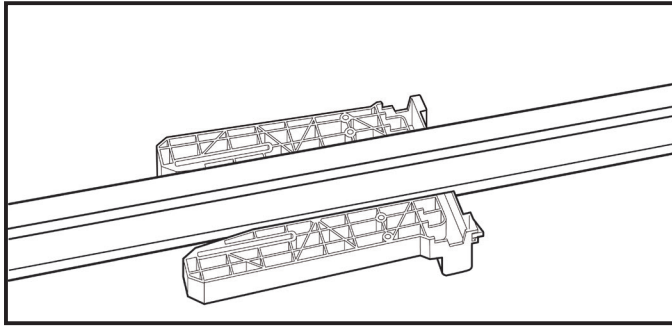
**or email us at
info@affinitytool.com**

BORA

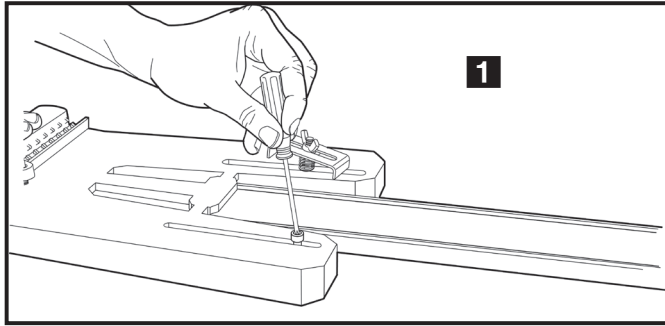
PORTAMATE

544006 Saw Guide

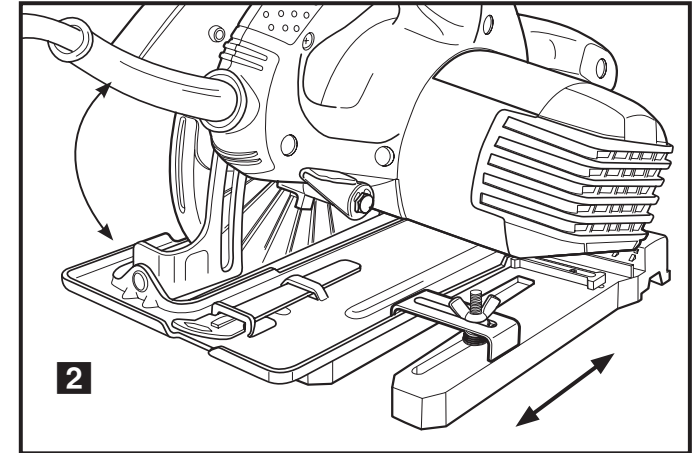
Thank you for purchasing the BORA Saw Plate. We have designed our WTX Accessory System to be easy to use and produce the precise results you expect. Every make and model of saw is different, with varying features and configurations. We have designed the saw plate to fit the great majority of them and it will work with both right hand and left handed saws. If you find yourself having trouble installing the plate to your saw, check our website at www.boratool.com for answers, or call us at 866-588-0395. (Please note that the WTX Clamp Edge Saw Guide is not self-squaring and a square should be used to ensure it is clamped straight.)



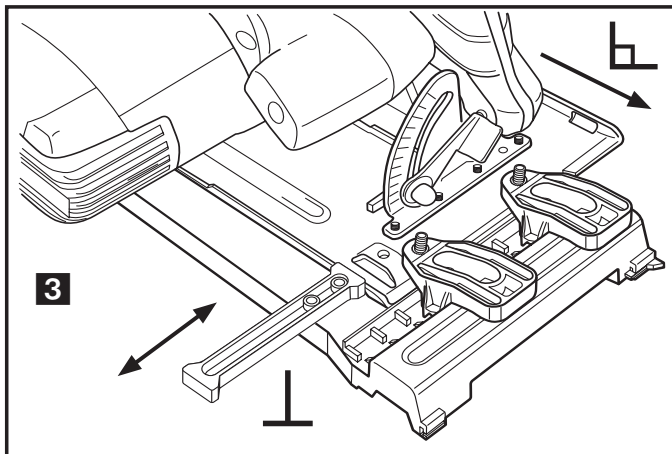
The WTX Clamp Edge Fits inside the middle channel of the saw plate.



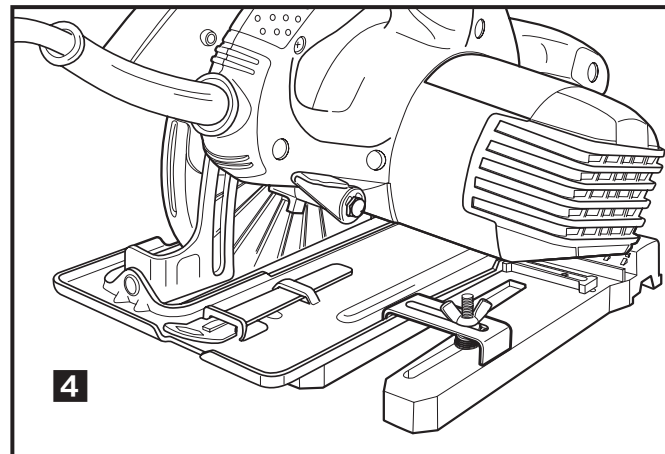
1 Loosen any fasteners that may be pre-installed so the saw plate is ready to have your power tool fitted.



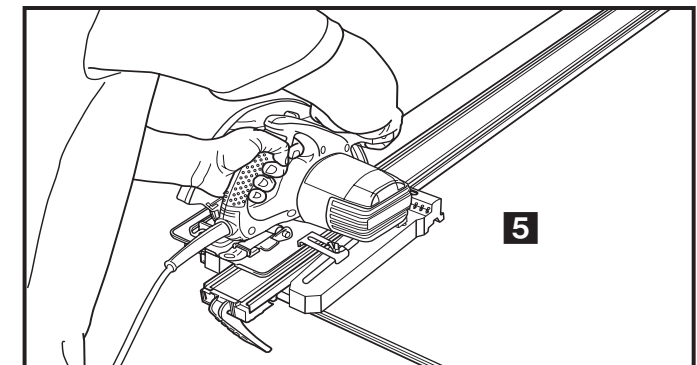
2 Install the saw plate clamp as shown. For right hand saws, install your tool on the left side and vice-versa for left hand saw. Do not fully tighten the wing nut, as you will want to move/swing this out of the way for now. Position your saw's base plate on the Bora saw plate. The majority of the plate will be on the motor side of your saw. Loosen the plunge mechanism for the blade and lift the saw motor.



3 Slide the front of your saw's plate to the front of the Bora[®] plate and ensure your saw is square on both the front and the side. Tighten the two front clamps, ideally as far apart as possible. A horizontal side stop is also on the saw plate body and should be positioned so that it rests perpendicular against the power tool's bottom plate. This allows you to place the saw correctly each time should you remove it.



4 Position the shorter end of the spring clamp bracket over your saw's plate as shown and tighten the wing nut. If you raised your saw's motor, you can now lower and lock it as per your saw's instructions. Ensure your saw's blade cover moves freely.



5 Your saw plate is not ready to use. We recommend making a test cut on a scrap piece of wood twice the length of the Bora plate, and slightly backing it out until you can see the cut. Make a final "left/right" adjustment to the blade guide to this cut. PLEASE NOTE: The blade guide can be adjusted to your taste - some people like to use the center as a guide, others like the left or right pointer as a the blade guide. Neither is wrong.