



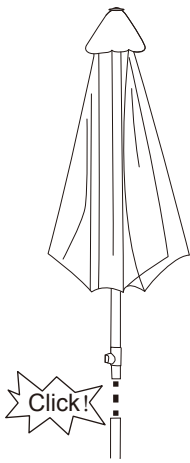
10' TILTING PATIO UMBRELLA

Model. KUS0222U / KUS0223U / KUS0224U / KUS0225U
Made In China

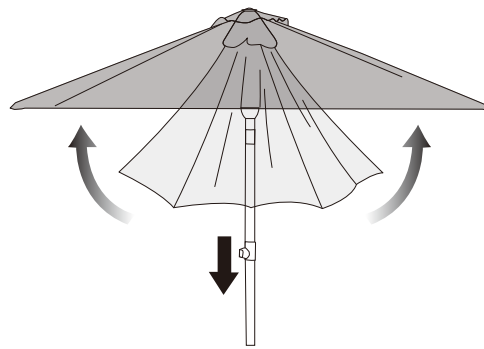
IMPORTANT! RETAIN FOR FUTURE REFERENCE: READ CAREFULLY

Questions, concerns, or need replacement parts?

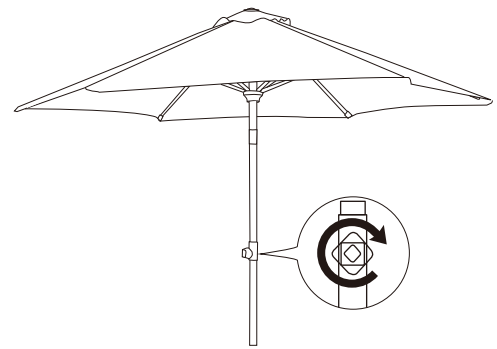
Please contact our Customer Loyalty Team at:
support@homezoneliving.com or 1-866-608-5170
Monday – Friday
8AM – 5PM EST



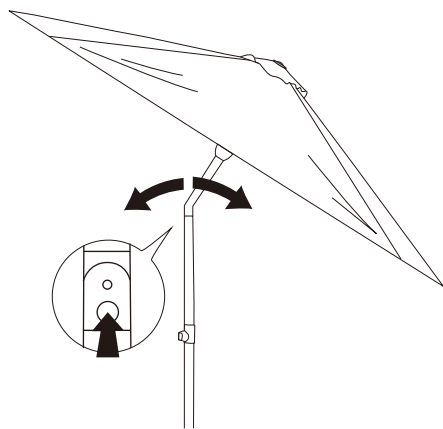
Step 1:
Connect the lower pole to the upper pole.



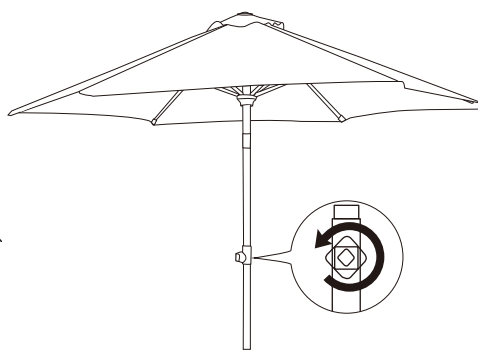
Step 2:
Unfold the umbrella head until resistance is felt on the opening knob.



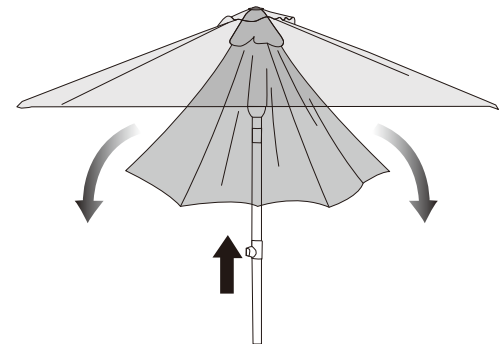
Step 3:
Pull down the knob to fully open the umbrella. Once fully open, tighten knob clockwise to lock umbrella into place.



Step 4:
Press the button on the hinge to adjust the angle of umbrella head.



Step 5:
Turn knob counter-clockwise to collapse umbrella until fully closed.



Horizon Marketing Group, LLC
5805-C Peachtree Corners East
Norcross, GA 30092

Customer Loyalty Team
1-866-608-5170
M – F, 8am – 5pm EST