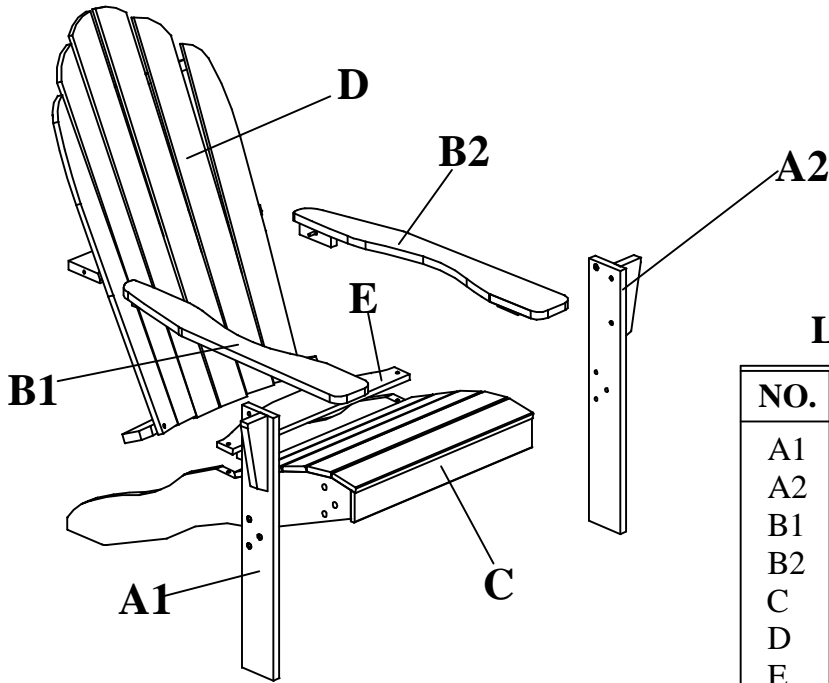


IMPORTANT !


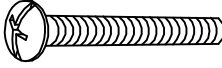
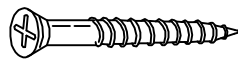
- * ASSEMBLE YOUR UNIT IN AN AREA FREE FROM ANY OBJECTS THAT MIGHT SCRATCH THE SURFACE OF YOUR UNIT.
- * EXAMINE ALL PACKING MATERIAL BEFORE DISCARDING, SHORTAGES MAY OCCUR FROM PARTS LEFT IN THE PACKING MATERIAL.
- * PLEASE READ THE INSTRUCTIONS CAREFULLY, AND VERIFY ALL PARTS ARE INCLUDED.
- * ALL BOLTS NEED TO BE TIGHTENED FROM TIME TO TIME TO AVOID DAMAGE.



LIST OF WOODEN PARTS

NO.	DESCRIPTION	Q'TY
A1	Right leg	1 Pc
A2	Left leg	1 Pc
B1	Right arm rest	1 Pc
B2	Left arm rest	1 Pc
C	Seat	1 Pc
D	Back	1 Pc
E	Back support rail	1 Pc

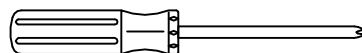
LIST OF HARDWARE PARTS

- F**  1 1/2" Bolt 6 Pcs
- G**  1 1/4" Bolt 4 Pcs
- H**  1 1/4" Screw 6 Pcs

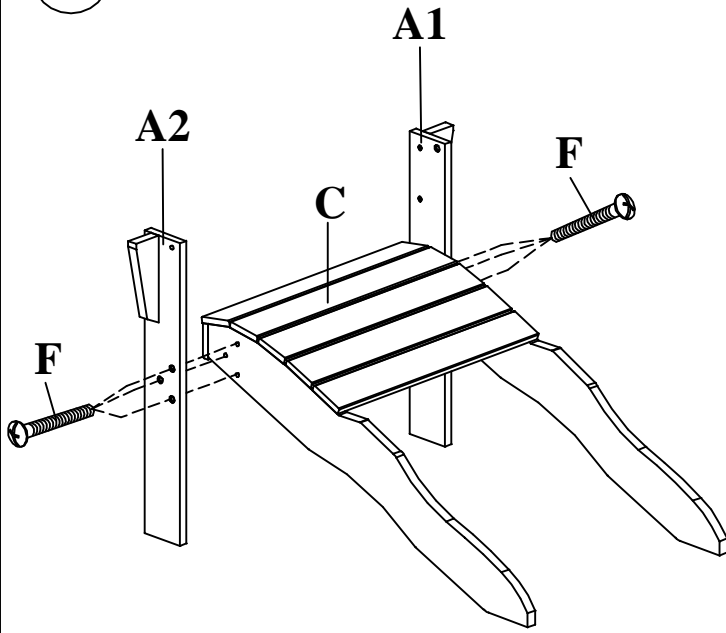
TOOLS REQUIRED

For proper assembly use these tools (not included)

- 8" Phillips screwdriver
- for tightening all bolts.

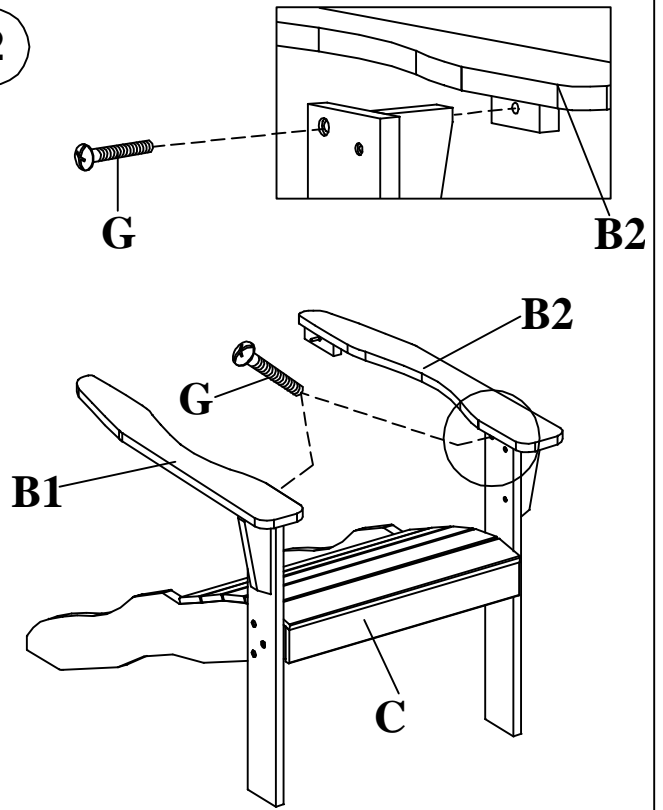


1



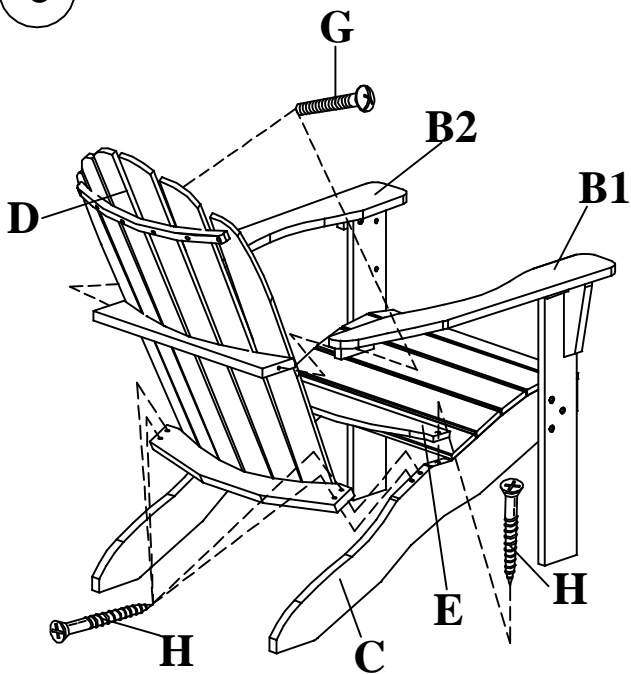
Attach the right and left leg (A1 & A2) into the seat (C) and secure with 1 1/2" bolts (F), using phillips screwdriver.

2



Attach the right and left arm rest (B1 & B2) into assembled and secure with 1/4" bolts (G) from inside, as shown.

3



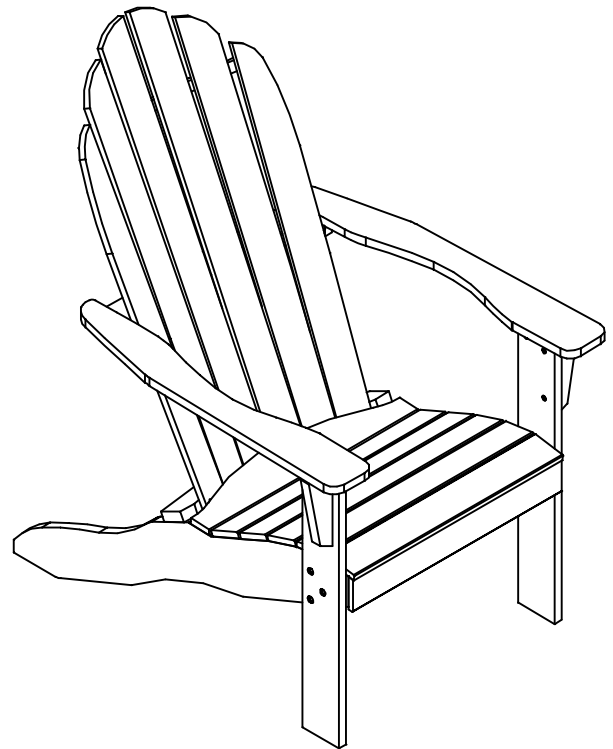
Attach support rail (E) into seat holes, secure with 1 1/4" screws (H).

Attach the back (D) into seat and armrests (B1 & B2).

Secure to seat (C) with 1 1/4" screws (H) and to arm rests (B1 & B2) with 1 1/4" bolts (G), as shown.

Be sure all bolts (F & G) and screws (H) are fully tightened, using phillips screwdriver.

4



THE ADIRONDACK CHAIR IS NOW READY FOR USE.