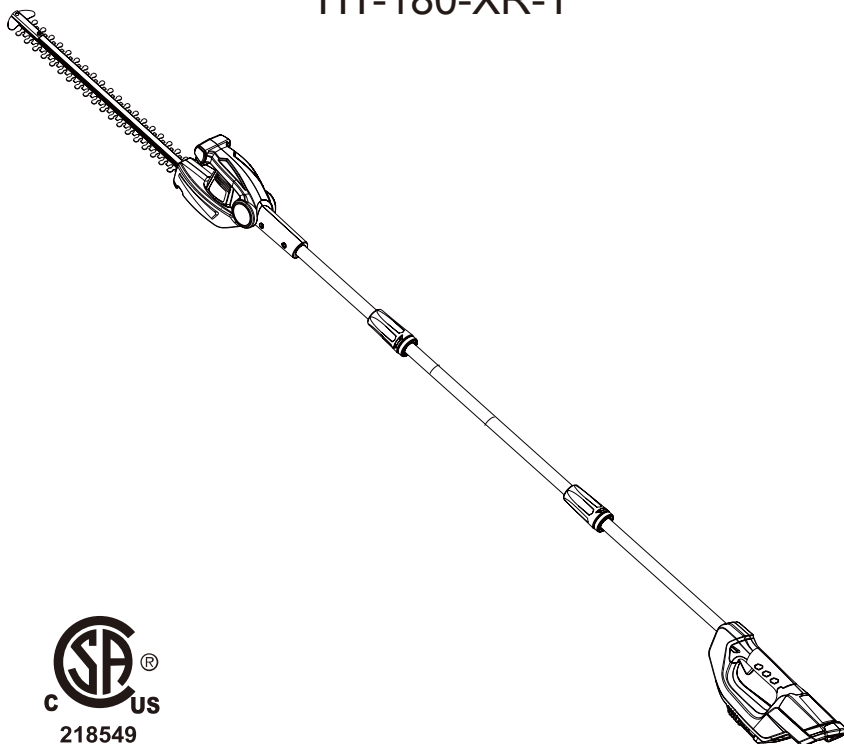


---

# GREENWORKS

## **ELITE**

40V CORDLESS POLE HEDGE TRIMMER  
HT-180-XR-T



Owner's Manual

**TOLL-FREE HELPLINE: 1-833-493-5483**

[www.greenworkselite.com](http://www.greenworkselite.com)

---

 Read all safety rules and instructions carefully before operating this tool.

# CONTENTS

---

Contents .....	2
Product Specifications .....	2
Important Safety Instructions .....	3
Symbols .....	8
Know Your Pole Hedge Trimmer .....	10
Assembly Instruction .....	11
Operation Instruction .....	13
Maintenance .....	17
Environmentally Safe Battery Disposal .....	18
Troubleshooting .....	19
Limited Warranty .....	20
Exploded View .....	21
Parts List .....	22

# PRODUCT SPECIFICATIONS

---

## 40V LITHIUM-ION 20" CORDLESS POLE HEDGE TRIMMER

Type .....	Cordless, battery-operated
Motor .....	40V Brushed
Blade Length .....	18" (460 mm)
Cutting Capacity .....	3/4" (19 mm)
Reciprocating Speed .....	2800 (±10%) SPM
Weight (Without Battery) .....	8.47 lbs. (3.84 kg)
Weight (with 3Ah battery) .....	10.34 lbs. (4.69 kg)
Charge time .....	90 min.(3Ah battery and standard charger)



# IMPORTANT SAFETY INSTRUCTIONS

---

## **⚠ W A R N I N G**

**Read all safety warnings and all instructions.** Failure to follow the warnings and instructions may result in electric shock, fire, and/or serious injury.

---

**Save all warnings and instructions for future reference.**

The term “power tool” in the warnings refers to your mains-operated (corded) power tool or battery-operated (cordless) power tool.

### **1. WORK AREA SAFETY**

- **Keep work area clean and well lit.** Cluttered or dark areas invite accidents.
- **Do not operate power tools in explosive atmospheres, such as in the presence of flammable liquids, gases or dust.** Power tools create sparks which may ignite the dust or fumes.
- **Keep children and bystanders away while operating a power tool.** Distractions can cause you to lose control.

### **2. ELECTRICAL SAFETY**

- **A battery-operated tool with integral batteries or a separate battery pack must be recharged only with the specified charger for the battery.** A charger that may be suitable for one type of battery may create a risk of fire when used with another battery.
- **Avoid body contact with earthed or grounded surfaces such as pipes, radiators, ranges and refrigerators.** There is an increased risk of electric shock if your body is earthed or grounded.
- **Do not expose power tools to rain or wet conditions.** Water entering a power tool will increase the risk of electric shock.
- **Use a battery-operated tool only with specified battery pack.** Use of any other batteries may create a risk of fire.
- **If operating a power tool in a damp location is unavoidable, use a residual current device (RCD) protected supply.** Use of an RCD reduces the risk of electric shock.

### **3. PERSONAL SAFETY**

- **Stay alert, watch what you are doing and use common sense when operating a power tool. Do not use a power tool while you are tired or under the influence of drugs, alcohol or medication.** A moment of inattention while operating power tools may result in serious personal injury.
- **Use personal protective equipment. Always wear eye protection.** Protective equipment such as dust mask, non-skid safety shoes, hard hat, or hearing protection used for appropriate conditions will reduce personal injuries.
- **Prevent unintentional starting. Ensure the switch is in the off-position before connecting to power source and/or battery pack, picking up or carrying the tool.** Carrying power tools with your finger on the switch or energising power tools that have the switch on invites accidents.
- **Remove any adjusting key or wrench before turning the power tool on.** A wrench or a key left attached to a rotating part of the power tool may result in personal injury.
- **Do not overreach. Keep proper footing and balance at all times.** This enables better control of the power tool in unexpected situations.
- **Dress properly. Do not wear loose clothing or jewelry. Keep your hair, clothing and**

# IMPORTANT SAFETY INSTRUCTIONS

---

**gloves away from moving parts.** Loose clothes, jewelry, or long hair can be caught in moving parts.

- **If devices are provided for the connection of dust extraction and collection facilities, ensure these are connected and properly used.** Use of these devices can reduce dust-related hazards.

## 4. POWER TOOL USE AND CARE

- **Do not force the power tool. Use the correct power tool for your application.** The correct power tool will do the job better and safer at the rate for which it was designed.
- **Do not use the power tool if the switch does not turn it on and off.** Any power tool that cannot be controlled with the switch is dangerous and must be repaired.
- **Disconnect the battery pack from the power tool before making any adjustments, changing accessories, or storing power tools.** Such preventive safety measures reduce the risk of starting the power tool accidentally.
- **Store idle power tools out of the reach of children and do not allow persons unfamiliar with the power tool or these instructions to operate the power tool.** Power tools are dangerous in the hands of untrained users.
- **Maintain power tools. Check for misalignment or binding of moving parts, breakage of parts and any other condition that may affect the power tools operation. If damaged, have the power tool repaired before use.** Many accidents are caused by poorly maintained power tools.
- **Keep cutting tools sharp and clean.** Properly maintained cutting tools with sharp cutting edges are less likely to bind and are easier to control.
- **Use the power tool, accessories and tool bits etc., in accordance with these instructions, taking into account the working conditions and the work to be performed.** Use of the power tool for operations different from those intended could result in a hazardous situation.

## 5. BATTERY TOOL USE AND CARE

- **Ensure the switch is in the off position before inserting battery pack.** Inserting the battery pack into power tools that have the switch on invites accidents.
- **Recharge only with the charger specified by the manufacturer.** A charger that is suitable for one type of battery pack may create a risk of fire when used with another battery pack.
- **Use power tools only with specifically designated battery packs.** Use of any other battery packs may create a risk of injury and fire.
- **When battery pack is not in use, keep it away from other metal objects, like paper clips, coins, keys, nails, screws, or other small metal objects that can make a connection from one terminal to another.** Shorting the battery terminals together may cause burns or a fire.
- **Under abusive conditions, liquid may be ejected from the battery; avoid contact.** If contact accidentally occurs, flush with water. If liquid contacts eyes, additionally seek medical help. Liquid ejected from the battery may cause irritation or burns.
- **Use only with Greenworks Elite batteries: L-300, L600**
- **Use only with Greenworks Elite Chargers: C-200, C-400**

## 6. SERVICE

- **Have your power tool serviced by a qualified repair person using only identical replacement parts.** This will ensure that the safety of the power tool is maintained.

# IMPORTANT SAFETY INSTRUCTIONS

---

## POLE HEDGE TRIMMER SAFETY WARNINGS

- Keep all parts of the body away from the cutter blade. Do not remove cut material or hold material to be cut when blades are moving. Make sure the switch is off when clearing jammed material. Blades coast after turn off. A moment of in-attention while operating the hedge trimmer may result in serious personal injury.
- Carry the hedge trimmer by the handle with the cutter blade stopped. Proper handling of the hedge trimmer will reduce possible personal injury from the cutting blades.
- When transporting or storing the hedge trimmer always fit the cutting device cover.
- Hold the power tool by insulated gripping surfaces only, because the cutting blade may contact hidden wiring or its own cord. Cutting blades contacting a “live” wire may make exposed metal parts of the power tool “live” and could give the operator an electric shock.
- Use both hands when operating the hedge trimmer. Using one hand could cause loss of control and result in serious personal injury.
- Before starting the hedge trimmer, make sure the blade is not in contact with any object.
- Stop the unit, remove the battery pack, and make sure the blade has stopped before setting the unit down.
- Always stop the motor when cutting is delayed or when walking from one cutting location to another.
- Keep unit clean of grass clippings and other materials. They may become lodged in the cutting blades.
- Store the unit inside in a dry place, either locked up or up high to prevent unauthorized use or damage. Keep out of the reach of children or untrained individuals.
- DANGER – Keep hands away from blade. Contact with blade will result in serious personal injury.
- Replace blade cover when unit is not in use.
- Never douse or squirt the unit with water or any other liquid. Keep handles dry, clean, and free from debris. Clean after each use; see storage instructions.
- Secure the unit while transporting.
- Battery operated units do not have to be plugged into an electrical outlet; therefore, they are always in operating condition. Be aware of possible hazards even when unit is not operating.
- Keep cable away from cutting area. During operation the cable may be hidden in shrubs and can be accidentally cut by the blade.
- Do not use the extended-reach hedge trimmer in bad weather conditions, especially when there is a risk of lightning. This decreases the risk of being struck by lightning.
- To reduce the risk of electrocution, never use near any electrical power lines. Contact with or use near power lines may cause serious injury or electric shock resulting in death.
- Always use two hands when operating the extended-reach hedge trimmer. Hold the extended-reach hedge trimmer with both hands to avoid loss of control.
- Always use head protection when operating the extended-reach hedge trimmer overhead. Falling debris can result in serious personal injury.

# IMPORTANT SAFETY INSTRUCTIONS

---

## FOR ALL APPLIANCES

- Avoid dangerous environment. Don't use appliances in damp or wet locations.
- Don't use in rain.
- Keep children away. All visitors should be kept at a distance from work area.
- Dress properly. Do not wear loose clothing or jewelry. They can be caught in moving parts. Use of rubber gloves and substantial footwear is recommended when working outdoors. Wear protective hair covering to contain long hair.
- Use safety glasses. Always use face or dust mask if operation is dusty.
- Use right appliance. Do not use appliance for any job except that for which it is intended.
- Don't grasp the exposed cutting blades or cutting edges when picking up or holding the appliance.
- Don't force appliance. It will do the job better and with less likelihood of a risk of injury at the rate for which it was designed.
- Stay alert. Watch what you are doing. Use common sense. Do not operate appliance when you are tired.
- Store idle appliances indoors. When not in use, appliances should be stored indoors in dry, and high or locked-up place. Keep out of reach of children.
- Maintain appliance with care. Keep cutting edge sharp and clean for best performance and to reduce the risk of injury. Follow instructions for lubricating and changing accessories. Inspect appliance cord periodically, and if damaged, have it repaired by an authorized service facility. Inspect extension cords periodically and replace if damaged. Keep handles dry, clean, and free from oil and grease.
- Check damaged parts. Before further use of the appliance, a guard or other part that is damaged should be carefully checked to determine that it will operate properly and perform its intended function. Check for alignment of moving parts, binding of moving parts, breakage of parts, mounting, and any other condition that may affect its operation. A guard or other part that is damaged should be properly repaired or replaced by an authorized service center unless indicated elsewhere in this manual.

# IMPORTANT SAFETY INSTRUCTIONS

---

## **⚠ CAUTION**

The unit has not been designed to provide protection from electric shock in the event of contact with overhead electric lines. Consult local regulations for safe distances from overhead electric power lines and ensure that the operating position is safe and secure before operating the extended reach hedge trimmer.

---

## **⚠ WARNING**

Only use with handle and guard properly assembled to hedge trimmer. The use of the hedge trimmer without the proper guard or handle provided may result in serious personal injury.

---

## **⚠ WARNING ( PROPOSITION 65 )**

Using this product will expose you to a chemical known to the State of California to cause cancer. Using this product will expose you to a chemical known to the State of California to cause birth defects or other reproductive harm.

Some dust created by power sanding, sawing, grinding, drilling, and other construction activities contains chemicals known to cause cancer, birth defects or other reproductive harm. Some examples of these chemicals are:

- Lead from lead-based paints
- Crystalline silica from bricks and cement and other masonry products, and
- Arsenic and chromium from chemically treated lumber.

Your risk of exposure to these chemicals varies depending on how often you do this type of work. To reduce your exposure to these chemicals, work in a well-ventilated area, and work with approved safety equipment, such as dust masks that are specially designed to filter out microscopic particles.










---

**SAVE THESE INSTRUCTIONS**

---

# SYMBOLS

Some of the following symbols may be used on this product. Please study them and learn their meaning. Proper interpretation of these symbols will allow you to operate the product better and safer.




SYMBOL	NAME	DESIGNATION/EXPLANATION
V	Volts	Voltage
A	Amperes	Current
Hz	Hertz	Frequency (cycles per second)
W	Watt	Power
min	Minutes	Time
~	Alternating Current	Type of current
≡	Direct Current	Type or a characteristic of current
	Read The Operator's Manual	To reduce the risk of injury user must read and understand operator's manual before using this product.
	Safety Alert	Precautions that involve your safety.
	Sharp Blade	Keep hands away from sharp, moving blades.
	Wet Conditions Alert	Do not expose to rain or use in damp locations.
	Wear Eye Protection	Always wear eye protection with side shields marked to comply with ANSI Z87.1 when operating this equipment.
	Wear Head Protection	Wear an approved safety hard hat to protect your head.
	Gloves	Wear non-slip, heavy-duty protective gloves when handling the pole saw and the blade.
	Ricochet	Thrown objects can ricochet and result in personal injury or property damage.
	Keep Tool Away from Electrical Lines/Keep Bystanders Away	DANGER! Risk of electrocution! Keep tool 50 feet away from electrical lines. Keep all bystanders at least 50 ft. away.



# SYMBOLS

---

The following signal words and meanings are intended to explain the levels of risk associated with this product.

<b>SYMBOL</b>	<b>SIGNAL</b>	<b>MEANING</b>
	<b>DANGER</b>	Indicates an imminently hazardous situation, which, if not avoided, will result in death or serious injury.
	<b>WARNING</b>	Indicates a potentially hazardous situation, which, if not avoided, could result in death or serious injury.
	<b>CAUTION</b>	Indicates a potentially hazardous situation, which, if not avoided, may result in minor or moderate injury.
	<b>CAUTION</b>	(Without Safety Alert Symbol) Indicates a situation that may result in property damage.

**SAVE THESE INSTRUCTIONS**

---

# KNOW YOUR POLE HEDGE TRIMMER

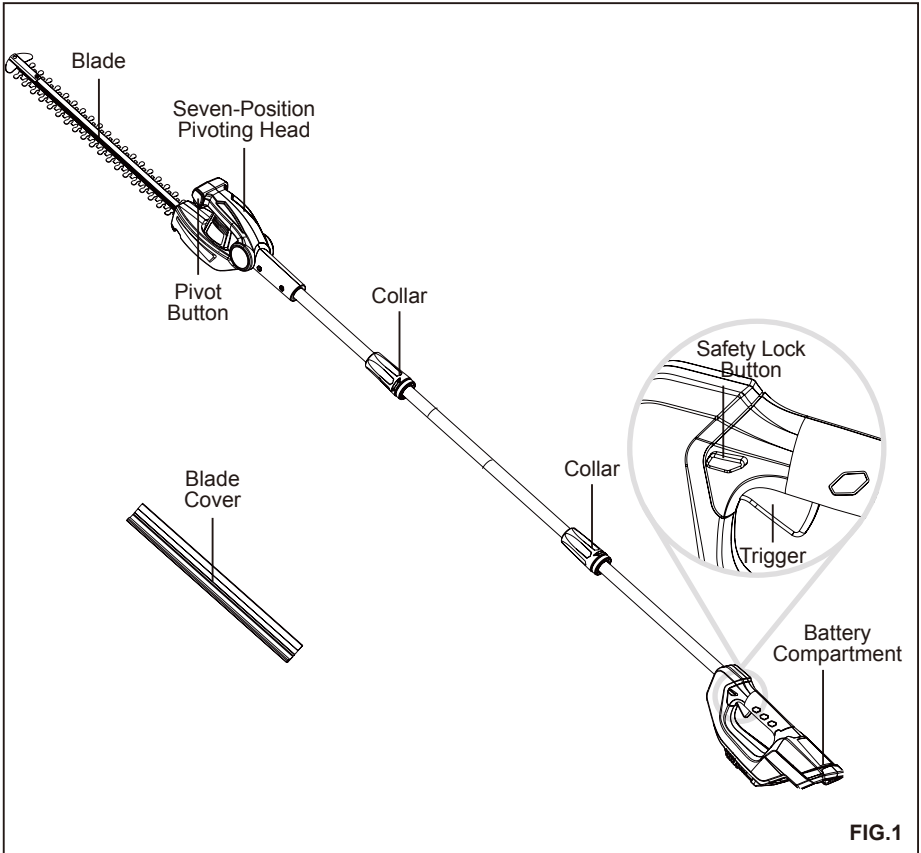


FIG.1

## KNOW YOUR POLE HEDGE TRIMMER (See Figure 1.)

The safe use of this product requires an understanding of the information on the product and in this operator's manual as well as a knowledge of the project you are attempting. Before use of this product, familiarize yourself with all operating features and safety rules.

### SAFETY LOCK BUTTON & TRIGGER

The safety lock button must be engaged before the trigger is depressed. Once the trigger is engaged, the safety lock button can be released. When the trigger is released, the safety lock button will automatically return to the locking position.

### SEVEN-POSITION PIVOTING HEAD

The hedger head can be adjusted by pulling back on the pivot button.

### BLADE

Dual action steel blades for cutting hedges and shrubs.



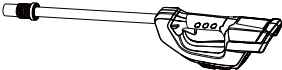


# ASSEMBLY INSTRUCTION

---

## UNPACKING

- This product requires assembly.
- Carefully remove the product and any accessories from the box. Make sure that all items listed in the packing list are included.
- Inspect the product carefully to make sure no breakage or damage occurred during shipping.
- Do not discard the packing material until you have carefully inspected and satisfactorily operated the product.
- If any parts are damaged or missing, please call **1-833-493-5483** for assistance.

## PACKING LIST

Part Name	Figure	Qty
Hedge Trimmer Head		1
Extension Tube		1
Handle Pole		1
Blade Cover		1
Operator's manual		1

---

## **⚠** WARNING

If any parts are damaged or missing, do not operate this product until the parts are replaced. Using a product with damaged or missing parts could result in serious personal injury.

---

## **⚠** WARNING

Do not attempt to modify this product or create accessories not recommended for use with this product. Any such alteration or modification is misuse and could result in a hazardous condition leading to possible serious personal injury.

---

# ASSEMBLY INSTRUCTION

## **⚠ WARNING**

Do not insert the battery until assembly is complete. Failure to comply could result in accidental starting and possible serious personal injury.

### **FITTING THE HEDGE TRIMMER HEAD (See Figure 2.)**

The hedge trimmer head (1) can be mounted directly into handle pole (2) so as to achieve the standard length.

1. Insert the handle pole (2) into the hedge trimmer head (1).
2. Slide the collar (3) upwards and turn it clockwise until it is completely tightened.

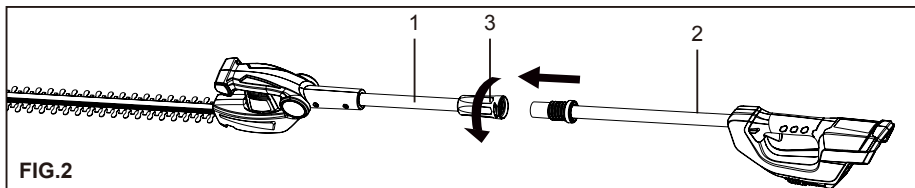


FIG.2

### **EXTENSION OF POLE HEDGE TRIMMER (See Figure 3.)**

The maximum reach can be achieved by fitting the extension tube (4) between the handle pole (2) and the hedge trimmer head (1).

- Slide the collars (3) up and rotate it clockwise until it is completely tightened.

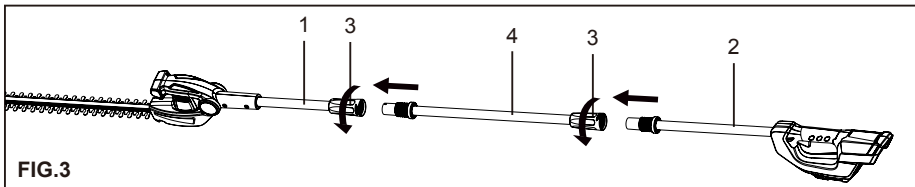


FIG.3

## **⚠ WARNING**

Periodically check the connections to ensure that they are tightened securely.

### **REMOVING THE HEDGE TRIMMER HEAD / HANDLE POLE (See Figure 4.)**

- Rest pole hedge trimmer on the ground, loosen the coupler (3), then take off the trimmer head (1) / handle pole (2).

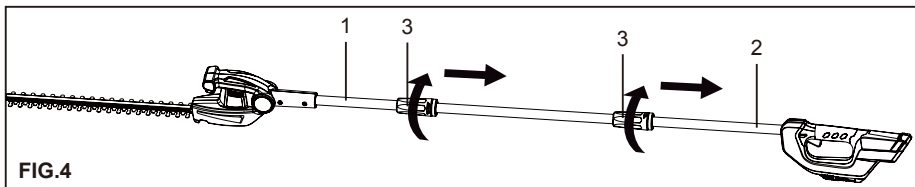


FIG.4

# OPERATION INSTRUCTION

---

## **⚠ WARNING**

Do not allow familiarity with this product to make you careless. Remember that a careless fraction of a second is sufficient to inflict serious injury.

---

## **⚠ WARNING**

Always wear safety goggles or safety glasses with side shields when operating power tools. Failure to do so could result in objects being thrown into your eyes, resulting in possible serious injury.

---

## **⚠ WARNING**

Do not use any attachments or accessories not recommended by the manufacturer of this product. The use of attachments or accessories not recommended can result in serious personal injury.

---

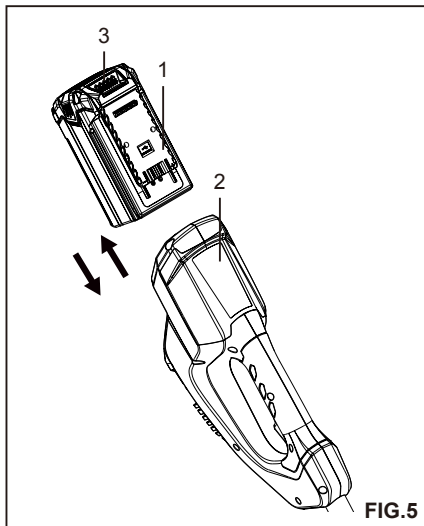
## **APPLICATIONS**

You may use this product for the purpose listed below:

- Trimming and shaping hedges and shrubbery.

## **INSERTING AND REMOVING THE BATTERY (See Figure 5.)**

1. To insert the battery (1), line it up with the battery compartment (2) on the tool. Slide the battery into the battery compartment and push until the battery snaps into place.
2. To remove the battery, push the release button (3). This will cause the battery to raise out of the tool. Pull the battery out of the battery compartment.



# OPERATION INSTRUCTION

---

## **⚠ WARNING**

Let the tool work at its own pace. Do not overload.

---

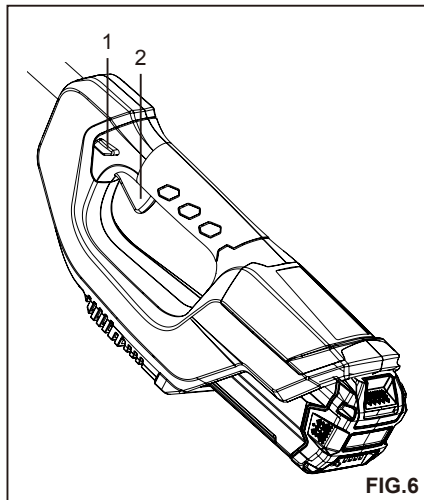
### **TURNING THE TOOL ON AND OFF** (See Figure 6.)

#### **SWITCHING ON**

1. Press the safety lock button (1) using your thumb and at the same time squeeze the on/off switch (2).
2. Release the safety lock button (1). Continue to squeeze the on/off switch for extended operation.

#### **SWITCHING OFF**

1. Release the on/off switch (2).
2. Upon release of the on/off switch (2), the safety lock button (1) will be automatically reset to the lock position.



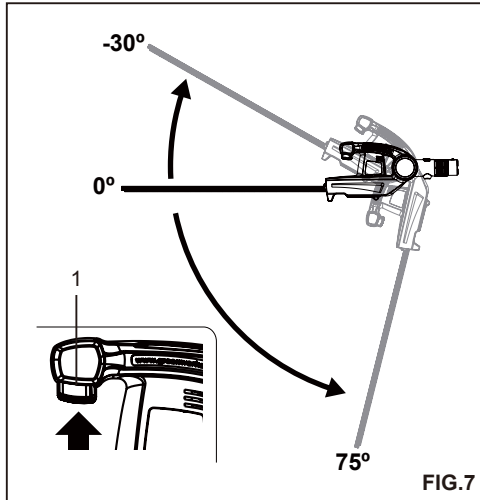
# OPERATION INSTRUCTION

---

## ADJUSTING THE TRIMMER HEAD ANGLE (See Figure 7.)

The trimmer head pivots 135° and can be locked into 7 positions within that range.

1. Squeeze the pivot button (1).
2. While squeezing the pivot button, move the head forward or backward.
3. Release the pivot button once the trimmer head is in the desired position.
4. The trimmer head should lock securely in place.



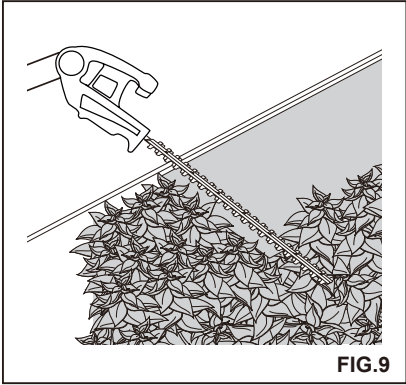
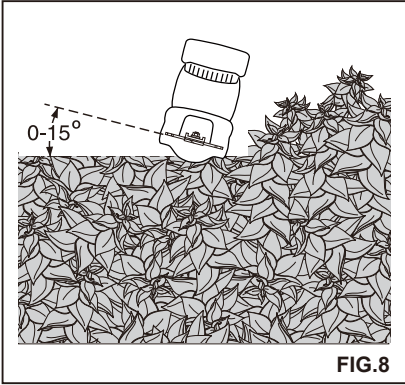
## OPERATING THE POLE HEDGE TRIMMER

### TIPS FOR OPTIMUM USE

- Start by trimming the top of the hedge. Slightly tilt the tool (up to 15° relative to the line of cut) so that the blade tips point slightly towards the hedge (FIG.8). This will cause the blades to cut more effectively. Hold the tool at the desired angle and move it steadily along the line of cut. The doublesided blade allows you to cut in either direction.
- In order to obtain a very straight cut, stretch a piece of string along the length of the hedge at the desired height. Use the string as a guideline, cutting just above it.
- In order to obtain flat sides, cut upwards with the growth. Younger stems move outwards when the blade cuts downwards, causing shallow patches in the hedge. (FIG.9)
- Take care to avoid any foreign objects. Especially avoid hard objects such as metal wire and railings, as these could damage the blades.
- Regularly oil the blades.

# OPERATION INSTRUCTION

---



---

## **⚠ WARNING**

Keep hands away from blade. Contact with blade will result in serious personal injury.

---



# MAINTENANCE

---

## CLEANING, MAINTENANCE AND STORAGE

Your tool has been designed to operate over a long period of time with a minimum of maintenance. Continuous satisfactory operation depends upon proper tool care and regular cleaning. Your charger does not require any maintenance apart from regular cleaning.

---

## **⚠ WARNING**

Before performing any maintenance on the tool, remove the battery from the tool. Unplug the charger before cleaning it.

---

After use and before storage

- After use, carefully clean the blades. After cleaning, apply a film of light machine oil to prevent the blades from rusting.
- Regularly clean the ventilation slots in your tool using a soft brush or dry cloth.
- Regularly clean the motor housing using a damp cloth. Do not use any abrasive or solvent based cleaner.
- Make sure all switches are free of debris before and after use.

## STORAGE

- Fully charge the battery.
- Remove the battery from the tool.
- Store the tool and battery in a secure and dry location. The storage temperature must always remain in the range of 50°F to 104°F. Place the battery on a level surface. Before using the tool after prolonged storage, fully charge the battery again.

# ENVIRONMENTALLY SAFE BATTERY DISPOSAL

---

The following toxic and corrosive materials are in the batteries used in this hedge trimmer battery pack: **Lithium-Ion, a toxic material.**



---

## **⚠ WARNING**

All toxic materials must be disposed of in a specified manner to prevent contamination of the environment. Before disposing of damaged or worn out Lithium-Ion battery packs, contact your local waste disposal agency, or the local Environmental Protection Agency for information and specific instructions. Take the batteries to a local recycling and/or disposal center, certified for lithium-ion disposal.

---

---

## **⚠ WARNING**

If the battery pack cracks or breaks, with or without leaks, do not recharge it and do not use. Dispose of it and replace with a new battery pack. **DO NOT ATTEMPT TO REPAIR IT!** To avoid injury and risk of fire, explosion, or electric shock, and to avoid damage to the environment:

- Cover the battery's terminals with heavy-duty adhesive tape.
  - DO NOT attempt to remove or destroy any of the battery pack components.
  - DO NOT attempt to open the battery pack.
  - If a leak develops, the released electrolytes are corrosive and toxic. DO NOT get the solution in the eyes or on skin, and do not swallow it.
  - DO NOT place these batteries in your regular household trash.
  - DO NOT incinerate.
  - DO NOT place them where they will become part of any waste landfill or municipal solid waste stream.
  - Take them to a certified recycling or disposal centre.
-

# TROUBLESHOOTING

---

PROBLEM	POSSIBLE CAUSE	SOLUTION
Tool will not start.	Battery not installed properly.	Check the battery installation.
	Battery discharged.	Fully charge the battery by following the instructions in the charger manual.
	Safety lock button not actuated.	Press down the safety lock button before engaging the trigger.
	Pole connections not properly tightened.	Check the connections.
Motor runs but blade does not move.	Blade is jammed.	Check blade for debris.
	gear is stripped.	replace blade assembly.
Motor hums, blades do not move.	Motor issue.	Call for technical service.

# LIMITED WARRANTY

---



# GREENWORKS

---

## ELITE

**GREENWORKS ELITE** hereby warranties this product, to the original purchaser with **proof of purchase**, for a period of four (4) years against defects in materials, parts or workmanship. **GREENWORKS ELITE**, at its own discretion will repair or replace any and all parts found to be defective, through normal use, free of charge to the customer. This warranty is valid only for units which have been used for personal use that have not been hired or rented for industrial/commercial use, and that have been maintained in accordance with the instructions in the owners' manual supplied with the product from new.

### ITEMS NOT COVERED BY WARRANTY:

1. Any part that has become inoperative due to misuse, commercial use, abuse, neglect, accident, improper maintenance, or alteration; or
2. The unit, if it has not been operated and/or maintained in accordance with the owner's manual; or
3. Normal wear, except as noted below;
4. Routine maintenance items such as lubricants, blade sharpening;
5. Normal deterioration of the exterior finish due to use or exposure.

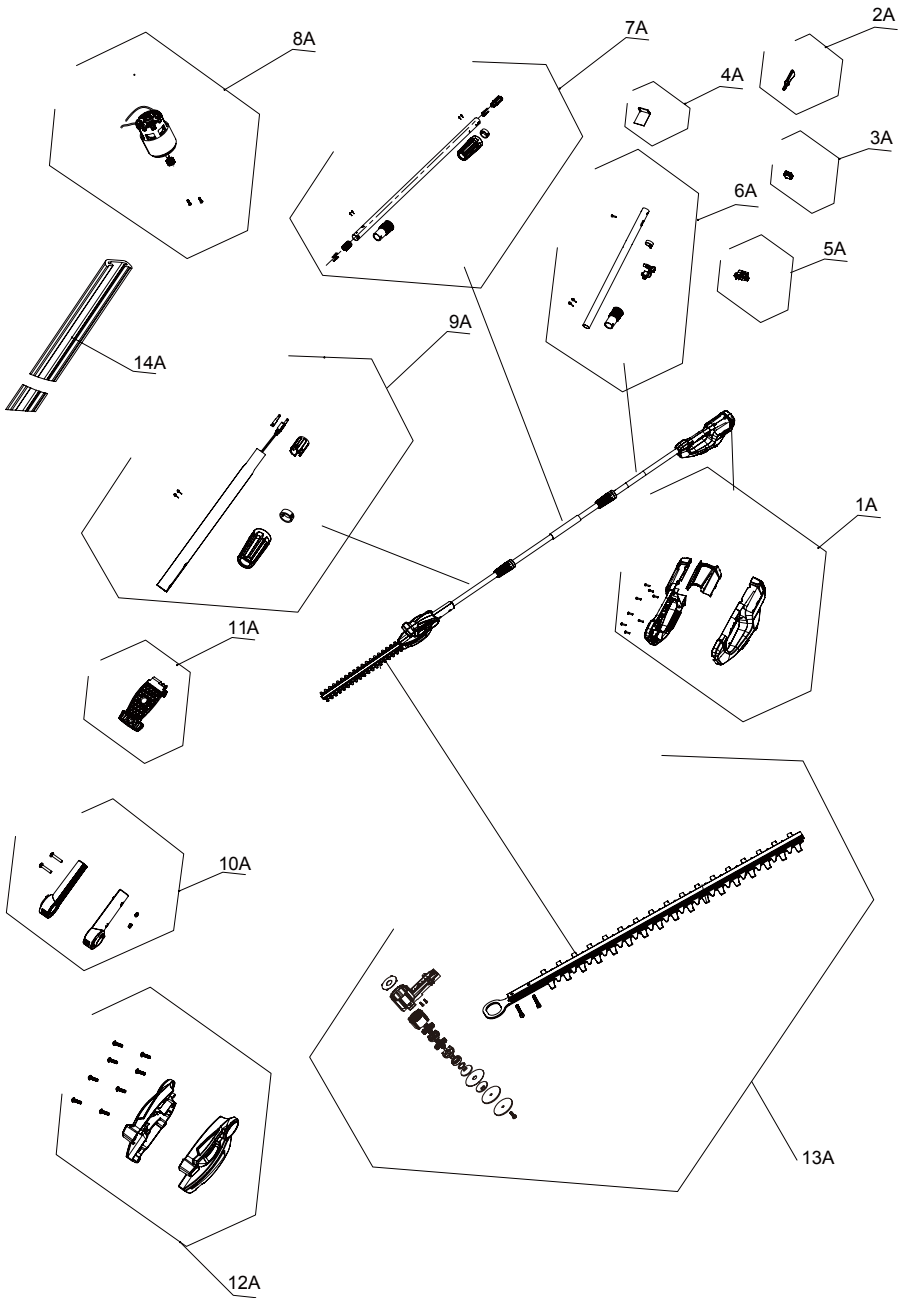
### GREENWORKS ELITE HELPLINE:

Warranty service is available by calling our toll-free helpline, at **1-833-493-5483**.

### TRANSPORTATION CHARGES:

Transportation charges for the movement of any power equipment unit or attachment are the responsibility of the purchaser. It is the purchaser's responsibility to pay transportation charges for any part submitted for replacement under this warranty unless such return is requested in writing by **GREENWORKS ELITE**.

# EXPLODED VIEW



# PARTS LIST

---

<b>NO.</b>	<b>PART NO.</b>	<b>QTY</b>	<b>DESCRIPTION</b>
1A	RA341051426E	1	KIT, REAR HANDLE ASSEMBLY
2A	RA341071726	1	KIT, TRIGGER SWITCH ASSEMBLY
3A	RA363012001	1	KIT, STROKE RESET SWITCH ASSEMBLY
4A	RA36200581A	1	KIT, CONTROL BOARD ASSEMBLY
5A	RA34101994	1	KIT, HOUSING INSERT ASSEMBLY
6A	RA331012704	1	KIT, HANDLE POLE ASSEMBLY
7A	RA332091071B	1	KIT, EXTENSION TUBE ASSEMBLY
8A	RA341102229	1	KIT, MOTOR ASSEMBLY
9A	RA333053117	1	KIT, HEDGE TRIMMER HEAD ASSEMBLY
10A	RA341102229	1	KIT, ADAPTER ASSEMBLY
11A	RA341051643C	1	KIT, ROTATING HANDLE ASSEMBLY
12A	RA341041643AB	1	KIT, HOUSING ASSEMBLY
13A	RA34111645	1	KIT, GEAR BOX ASSEMBLY
14A	34110648-1	1	KIT, SCABBARD

# **GREENWORKS**



***ELITE***

**Greenworks Tools  
PO Box 1238  
Mooreville, NC 28115**

**TOLL-FREE HELPLINE: 1-833-493-5483**

Rev: 00 (28-08-17)