



# Portable Room AIR CONDITIONER

**IMPORTANT SAFETY INFORMATION ..... 3**

**CONTROLS ..... 4**

**CARE AND CLEANING ..... 7**

**INSTALLATION INSTRUCTIONS ..... 9**

**TROUBLESHOOTING ..... 14**

**LIMITED WARRANTY .....15**

**CONSUMER SUPPORT .....16**

**OWNER'S MANUAL  
AND INSTALLATION  
INSTRUCTIONS**

APFD05

Write the model and serial numbers here:

Model # \_\_\_\_\_

Serial # \_\_\_\_\_

Find these numbers on a label on the side of the air conditioner.

**THANK YOU FOR MAKING GE APPLIANCES A PART OF YOUR HOME.**

---

Whether you grew up with GE Appliances, or this is your first, we're happy to have you in the family.

We take pride in the craftsmanship, innovation and design that goes into every GE Appliances product, and we think you will too. Among other things, registration of your appliance ensures that we can deliver important product information and warranty details when you need them.

Register your GE appliance now online. Helpful websites and phone numbers are available in the Consumer Support section of this Owner's Manual. You may also mail in the pre-printed registration card included in the packing material.



# IMPORTANT SAFETY INFORMATION

## READ ALL INSTRUCTIONS BEFORE USING THE APPLIANCE

### IMPORTANT SAFETY INSTRUCTIONS

#### **▲ WARNING**

To reduce the risk of fire, electrical shock, injury to person or damage when using the air conditioner, follow basic precautions including the following:

- Read all of the instructions before using this appliance.
- Plug into a grounded 3 prong outlet.
- Do not remove ground prong.
- Do not use an adapter.
- Do not use an extension cord.
- Do not operate the air conditioner if it has a damaged cord or plug or not working properly or if it has been damaged or dropped.
- The air conditioner should be serviced only by qualified service personnel. Call an authorized service company for examination, repair or adjustment.

- Disconnect power before servicing.
- Disconnect power before cleaning.

**NOTE:** Turning off power by pressing the Power button does NOT disconnect the appliance from the power supply.

- Do not install or use the air conditioner in any area where the atmosphere contains combustible gases or where the atmosphere is contaminated. Avoid any chemicals coming in contact with your air conditioner.
- Do not store anything directly on top of the air conditioner.
- Two or more people are required move and install air conditioner.
- Never operate the air conditioner without filters in place.
- Do not use air conditioner near a bathtub, shower or wash basin or other wet area.

#### **▲ WARNING**

#### How to Insert the Batteries in the Remote Control

- Remove the battery cover by sliding it according to the arrow direction.
- Insert new batteries, making sure that the (+) and (-) of battery are installed correctly.
- Reattach the cover by sliding it back into position.

#### **NOTES:**

- Use 2"AAA"(1.5 volt) alkaline batteries. Do not use rechargeable batteries.
- Remove the batteries from the remote control if the system is not going to be used for a long time.
- Do not mix old and new batteries. Do not mix alkaline, standard (carbon-zinc) or rechargeable (ni-cad, ni-mh, etc) batteries.

#### **▲ WARNING**

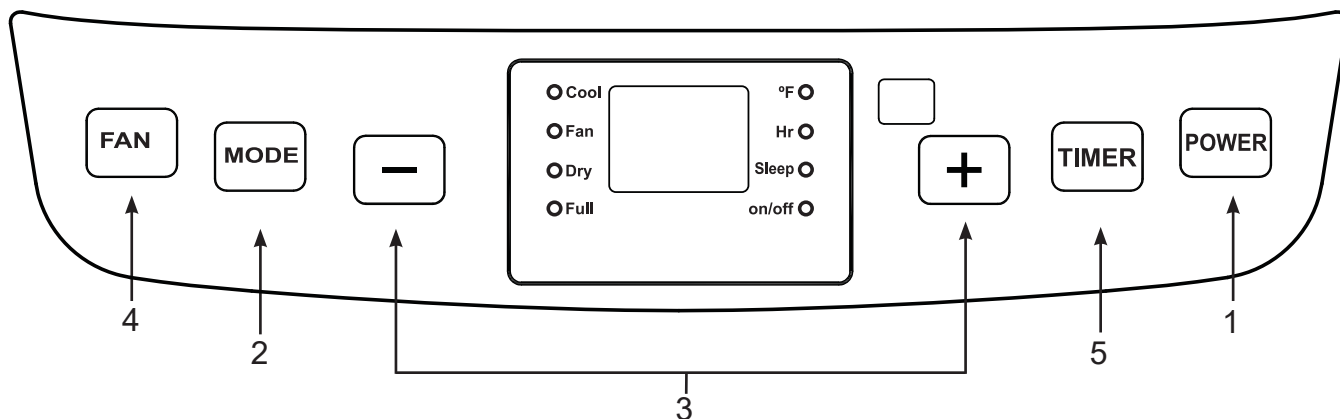
Caution for ingestion. The battery may cause suffocation if swallowed by children.

## READ AND SAVE THESE INSTRUCTIONS

# Controls

Features and appearance will vary.

Lights next to the touch pads on the air conditioner control panel indicate the selected settings.



**NOTE:** When the machine is powered on for the first time, the buzzer will play power-on music, and then the machine will go into standby status.

### 1. Power Button

Turn ON/OFF power to the air conditioner.

**NOTE:** Turning off power by pressing the **Power** button does NOT disconnect the appliance from power supply.

Press the **Power** button. The power indicator and temperature display will illuminate, select desired settings. After one minute the display lights will turn off. Press any button on the unit or remote, the display will illuminate. Then press corresponding buttons to change unit function.

**Note:** If changing functions from remote, it may require multiple button pushes to synchronize remote to the unit.

### 2. Mode Button

Press the **Mode** button to toggle among the operating options. The corresponding indicator will illuminate:

Cool – Cools the room to the set temperature

Dry – Reduces the humidity in the room

Fan – Circulates the air in the room without cooling

### 3. + and – Buttons

Press the two keys to change the Temperature or Time.

#### To Set the Temperature:

Press the + or – button to select the required temperature.

**NOTE:** The temperature cannot be set when the air conditioner is in either Fan or Dry mode.

#### To Set the Time:

Press the + or – button to select the required time.

### 4. Fan Speed Button

In cooling or fan mode, press the Fan button to select high or low fan speed.

**NOTE:** The fan speed cannot be adjusted when the unit is in Dry mode.

### 5. Timer Button

Press the Timer button, when the Timer symbol flashes, press the + or – button to select the time.

Program a time from (1 hour to 24 hours) for the air conditioner to turn Off or On.

**NOTE:** When the inner unit chassis is full of water, the Water Full light will turn on, a buzzer will sound for several seconds and the compressor will stop.

Refer to the instructions on page 5 for draining the water from the unit.

# Controls

The display will always default to show room temperature.  
When the air conditioner is turned on, it will automatically start in the last mode and fan settings selected.

## Frost Protection Function:

In cooling or dry mode, if the temperature of the exhaust hose is too low, the AC will automatically go into a unit protection state. When the temperature rises to a normal temperature, the unit will automatically resume normal operation.

## Overflow Protection Function:

When water in the water pan exceeds the warning level, the machine will automatically sound an alarm, the FULL indicator light will flash and the unit will shut down. At this point, you need to drain the water from the lower drain (See Drainage instructions for details) After the water is emptied, the machine will automatically resume normal operation.

## Automatic Defrosting (on some models)

The machine has an automatic defrosting function.

## Protection Function of the Compressor

To increase the service life of the compressor, the AC has a 3-minute delay after the compressor has shut off to protect the compressor.

# Drainage Instructions

### Draining the unit manually:

**Note:** Please move the AC carefully, do not spill the water in the water pan at the bottom of the unit.

1. When the machine stops after the water is full, turn off the machine power and unplug the power plug.
2. Place a water container larger than the sump capacity (at least 1-1/2 quart) below the lower rear water outlet on the back side of unit.
3. Unscrew the drainage cover and unplug the water plug, the water will automatically flow into the water container.

**Note:** During drainage, the body can be tilted slightly backwards. If the water container cannot hold all the water, before the water container is full, replace the water plug as soon as possible to prevent water from flowing on to the floor or the carpet.

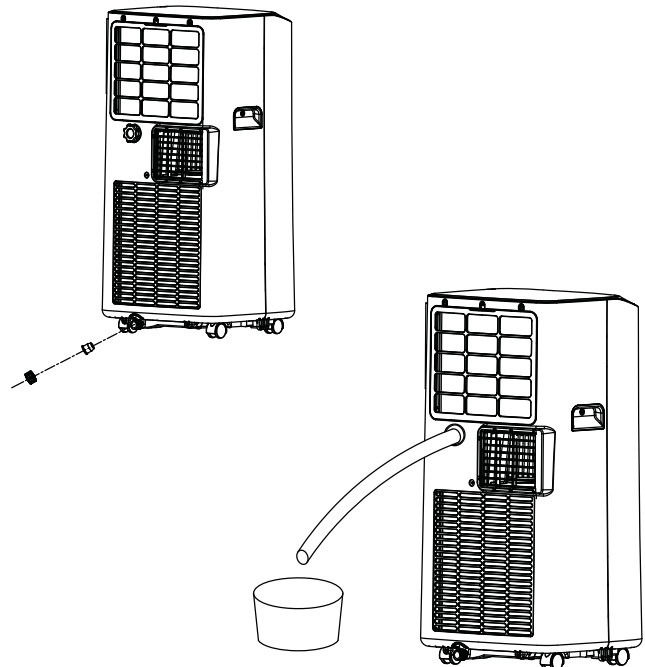
4. When the water is discharged, secure the water plug, and tighten the drainage cover.

**Note:** Restart the AC after the water plug is installed, otherwise condensate water from the AC will drain onto the floor or carpet.

### Continuous drainage (optional, and only in dry mode)

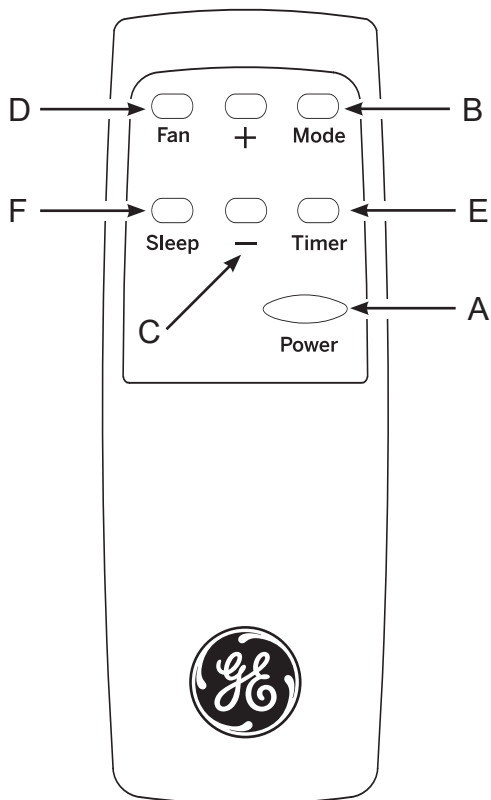
1. Remove the upper drain plug.
2. Connect a drain hose with an outside diameter of 1/2" to the water outlet.
3. Route drain hose to a bucket or floor drain.

4. Be sure to use a large container (3 gallons or larger is recommended) and monitor the water level in the container continuously. The unit will not shut off when the container is full. An overflowing container can cause flooding and damage to the floor.



# Controls

Features and appearance may vary.  
Icons on the remote control indicate the selected settings



## REMOTE CONTROL

1. Insert the two AAA batteries (provided).
2. Aim the remote control at the signal receiver on the control panel to operate the air conditioner.

### A. Power Button

Turns ON/OFF power to the air conditioner.

### B. Mode Button

Press the **Mode** button to toggle among the operating options, cooling, fan, dry mode.

### C. + and - Button

Adjusts the Temperature or Timing set value.

### D. Fan Button

Press the **Fan** button to adjust fan speed from Low to High speed.

### E. Timer

Press **Timer** button to activate the ON/OFF timer. Use the + and - buttons to adjust the timer.

### F. Sleep Button


Press the **Sleep** button to turn on the sleep mode.

**Note:** The air conditioner LED display will turn off 1 minute after last button is pushed. To turn on LED display, press any button on the unit or the remote. Then press control corresponding function to change the settings, the remote may require multiple pushes to synchronize with the unit.

# Care and Cleaning

## CLEANING

### ⚠ WARNING



**Electrical Shock Hazard**

Disconnect power before cleaning.  
Failure to do so can result in death or electrical shock.

1. Unplug or disconnect power.
2. Use only a soft cloth dampened with water to clean the cabinet.

**NOTE:**

- Do not use a liquid or spray cleaner to clean the air conditioner.
  - DO NOT use chemicals, abrasives, ammonia, chlorine bleach, concentrated detergents, solvents or scouring pads. Some of these chemicals/items may damage and/or discolor your air conditioner.
3. Dry thoroughly with a soft cloth.
  4. Plug in or reconnect power.

## Cleaning the surface

Clean surface of machine with a wet soft cloth. Do not use chemicals, such as benzene, alcohol, gasoline, etc.; otherwise, the surface of the air conditioner will be damaged or the entire unit will be damaged.

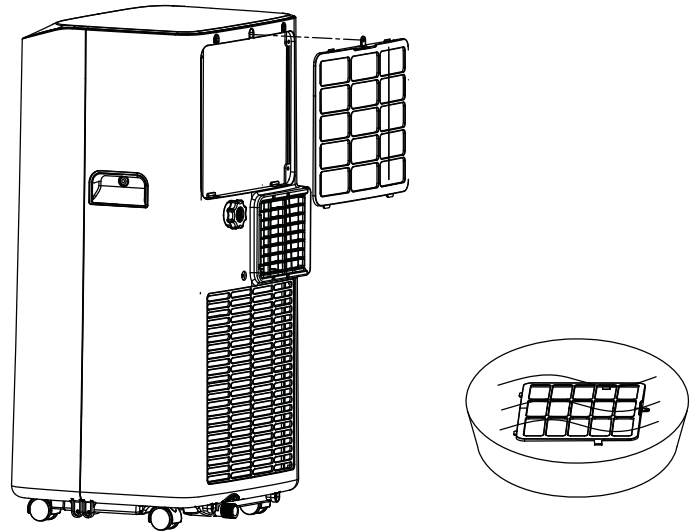
## Air Filter

The air filters should be cleaned at least every two weeks for your unit to operate at optimum efficiency.

**⚠ CAUTION** DO NOT operate the air conditioner without a filter because dirt and lint will clog it and reduce performance.

### To clean the upper filter screen frame:

1. Remove screw securing the filter frame at the top center of the filter, push down on the top of the frame to remove the filter frame from the unit.
2. Clean the filter using a vacuum or place the filter into warm water with neutral detergent and rinse with clean water.
3. Allow filter to dry before installing on the unit.



## Storage

If the unit is not being used for a long period of time:

To Empty the Internal Water Tank:

1. Unplug or disconnect power.
2. Drain the water from the water tank. (See "Internal Water Tank section" above.)

3. Use the original packaging to repack the unit to avoid a buildup of dust or dirt.
4. Store the air conditioner in a cool, dry location.

# Installation Instructions

Questions? Call GE Appliances at 866.907.1655 or visit our Website at: [GEAppliances.com](http://GEAppliances.com).

## BEFORE YOU BEGIN

Read these instructions completely and carefully.

- **IMPORTANT** — Save these instructions for local inspector's use.
- **IMPORTANT** — Observe all governing codes and ordinances.
- **Note to Installer** – Be sure to leave these instructions with the Consumer.
- **Note to Consumer** – Keep these instructions for future reference.
- **Skill level** – Installation of this appliance requires basic mechanical skills.
- **Completion time** – Approximately 1 hour
- We recommend two people to install this product.
- Proper installation is the responsibility of the installer.
- Product failure due to improper installation is not covered under the Warranty.
- You **MUST** use all supplied parts and use proper installation procedures as described in these instructions when installing this air conditioner.

## ELECTRICAL REQUIREMENTS



These models require a 115/120-volt AC, 60-Hz grounded outlet protected with a 15-amp time-delay fuse or circuit breaker.

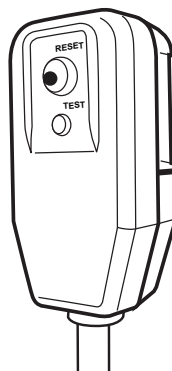
The 3-prong grounding plug minimizes the possibility of electric shock hazard. If the wall outlet you plan to use is only a 2-prong outlet, it is your responsibility to have it replaced with a properly grounded 3-prong wall outlet.

## CAUTION

Do not, under any circumstances, cut or remove the third (ground) prong from the power cord.

Do not change the plug on the power cord of this air conditioner.

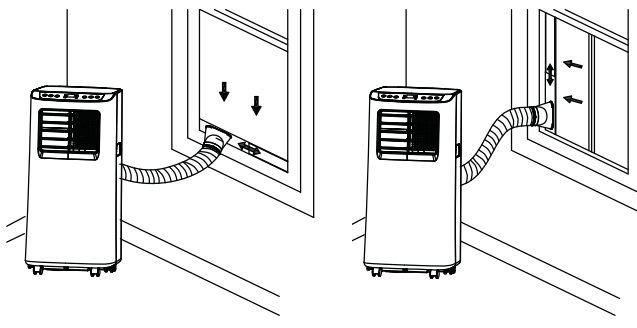
Aluminium house wiring may present special problems—consult a qualified electrician.



Power cord includes a current interrupter device. A test and reset button is provided on the plug case. The device should be tested on a periodic basis by first pressing the TEST button and then the RESET button while plugged into the outlet. If the TEST button does not trip or if the RESET button will not stay engaged, discontinue use of the air conditioner and contact a qualified service technician.

## Location Requirements

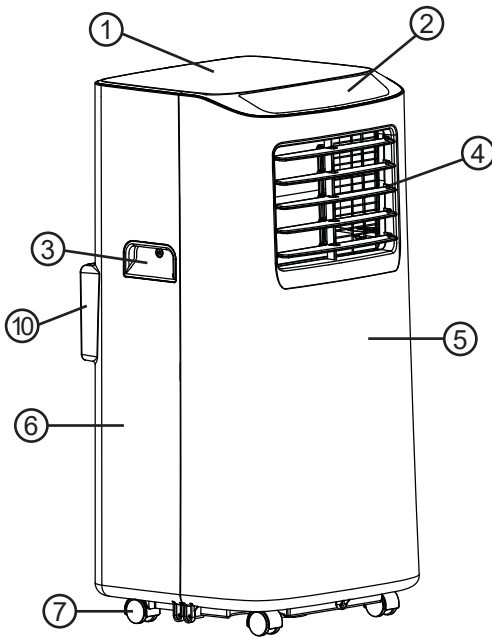
- Place the air conditioner on a flat, level surface in a location that is at least 20" (50 cm) from any wall.
- **NOTE:** A minimum clearance of 20" (50 cm) from the air conditioner to the wall must be maintained to ensure proper airflow.
- Maintain a minimum 20" (50 cm) clearance around the air conditioner to not block airflow.
- Keep the air conditioner free of any obstructions such as drapes, curtains, blinds, etc.
- The exhaust hose should be free of any obstructions.
- Do not place the air conditioner on an unstable or raised surface because it could fall and cause damage or injury.
- Do not place the air conditioner in direct sunlight or near a heat source such as baseboard heaters, stoves, etc.
- The window panel can be installed in a window with a minimum 20" (50.8 cm) to a maximum 48" (121.9 cm) opening.



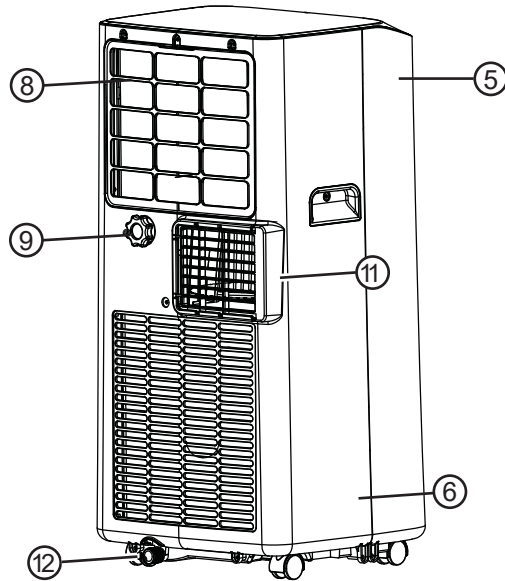


# Installation Instructions

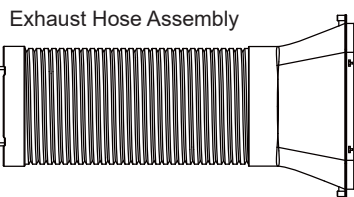
## Window Panel Combinations to fit window openings (Appearance may vary)



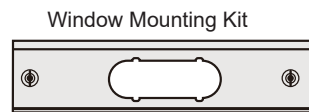
- 1. Top Cover
- 2. Control Panel
- 3. Handle
- 4. Air Outlet / Louver
- 5. Front Housing
- 6. Rear Housing
- 7. Caster



- 8. Upper Filter
- 9. Upper Continuous Drain
- 10. Cord Wrapping Post
- 11. Exhaust Air Vent
- 12. Lower Drain



Exhaust Hose Assembly



Window Mounting Kit

- 1 pc – 20" Center Panel
- 1 pc – 5 1/2" Extension
- 1 pc – 9" Extension
- 2 pc – 16" Extensions



Top Window Bracket (2)



Bottom Window Bracket (2)



Security Bracket



Flat Tip Screw  
For exhaust nozzle to  
main window panel.



Pointed Screws (7)  
2 – Top Window Bracket  
1 – Security Bracket  
4 – Main Window Panel



Top Foam Strip



Bottom Foam Strip



Foam Strip



Remote Control  
Batteries (2)

### TOOLS YOU WILL NEED



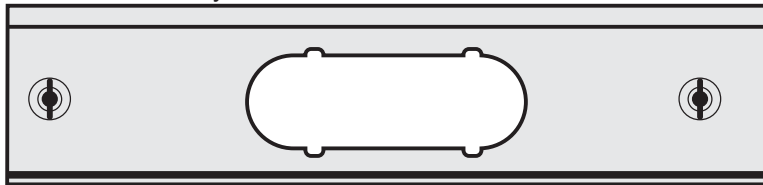
Phillips head screwdriver  
(Not Included)

# Installation Instructions

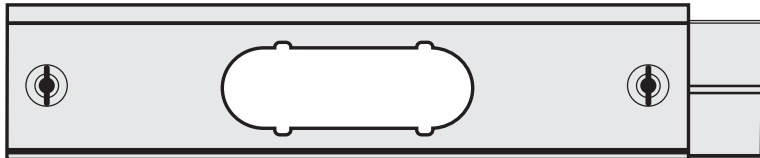
## Window Panel Combinations to fit window openings

(Appearance may vary)

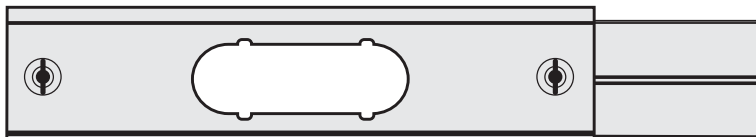
Window Opening 20"  
Center Panel Only



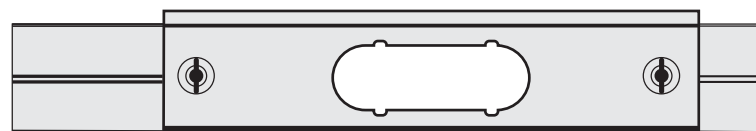
Window Opening 20" - 23 1/2"  
Center Panel + 5 1/2" Extension



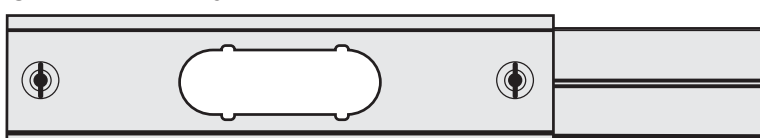
Window Opening 23 1/2" - 27"  
Center Panel + 9" Extension



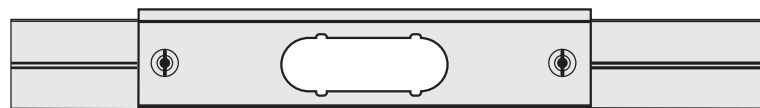
Window Opening 23 1/2" - 30 1/2"  
Center Panel + 9" and 5 1/2" Extensions



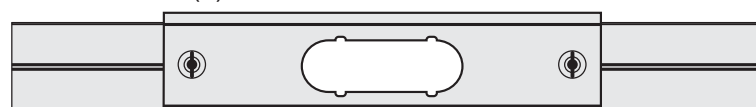
Window Opening 30 1/2" - 34"  
Center Panel + 16" Extension



Window Opening 34" - 41"  
Center Panel + 9" and 16" Extensions



Window Opening 41" - 48"  
Center Panel + (2) 16" Extensions



# Installation Instructions

## 1. UNPACK AIR CONDITIONER

### ⚠ WARNING

#### Excessive Weight Hazard

- Use two or more people to move and install air conditioner.
- Failure to do so can result in back or other injury.

**NOTE:** Before using the air conditioner, keep it upright for at least 2 hours.

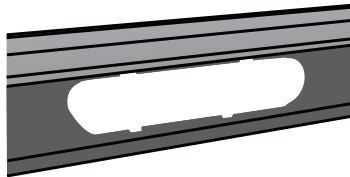
- Remove packaging materials. Save the carton and the foam packaging for storing the air conditioner when not in use.

**NOTE:** There are NO packing materials inside the air conditioner to remove—Do Not open the cabinet.

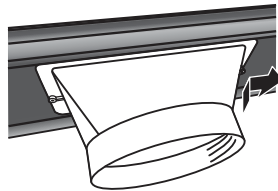
- Properly dispose of/recycle all packing material.
- Handle the air conditioner gently.
- Keep the air conditioner upright and level. Do not set the air conditioner on its side, front, back or upside down.

## 2. Install Exhaust Nozzle to Main Window Panel

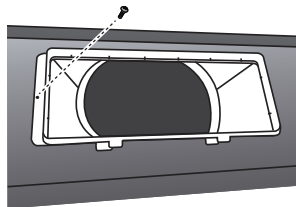
1. Hold the main window panel so that the L-shaped edges of the panel are facing you.



2. Align the exhaust nozzle with the slots in the opening, and then insert and slide the nozzle to access the hole from the back of the main window panel.



3. Turn the main window panel over, so that the nozzle is away from you. Insert a flat tip screw through the hole to fasten the window panel to the adapter.

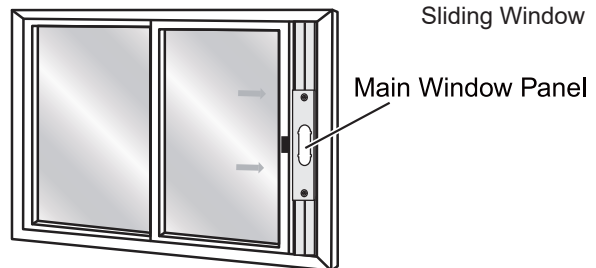
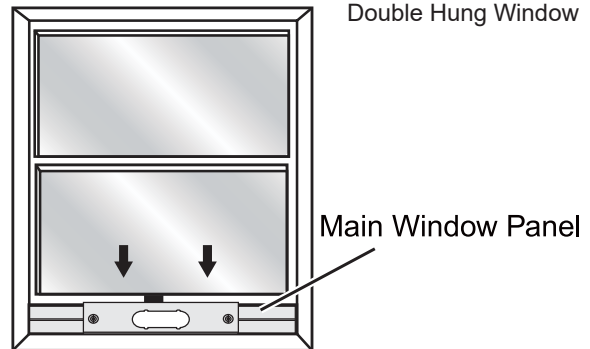


## 3. Install Main Window Panel and Extension Panels

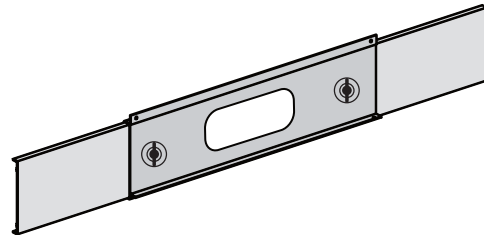
**NOTE:** Measure the window opening and use the extension panels as referenced on page 10 to fit your window.

1. Open the window and place the window kit assembly into the window.

**NOTE:** The window assembly is designed to accommodate either a double hung or sliding window.



2. Adjust the extension panel(s) to the width or height of the window as shown.
3. Depending on the number of extension panels used, turn the knobs to secure the extension panel(s) to the main panel. **Install from the back.**



**NOTE:** There are many window types on the market today. Use the foam strips and brackets (provided) to secure the extension panels that will fit the window opening.

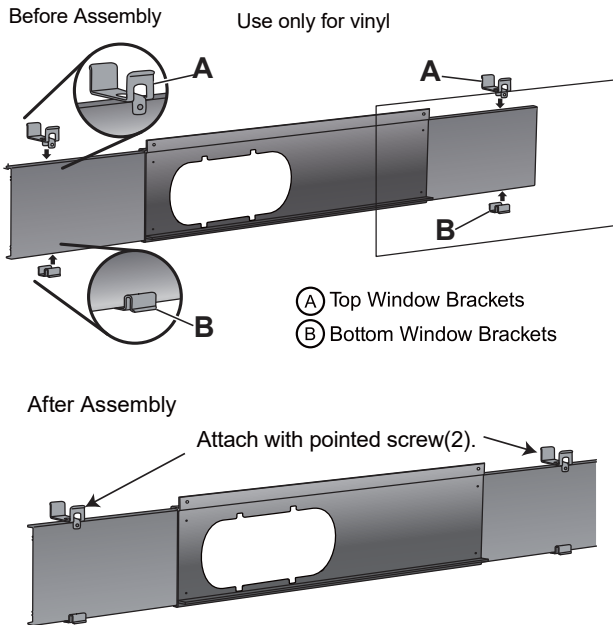
# Installation Instructions

## 3. Install Main Window Panel and Extension Panels (cont)

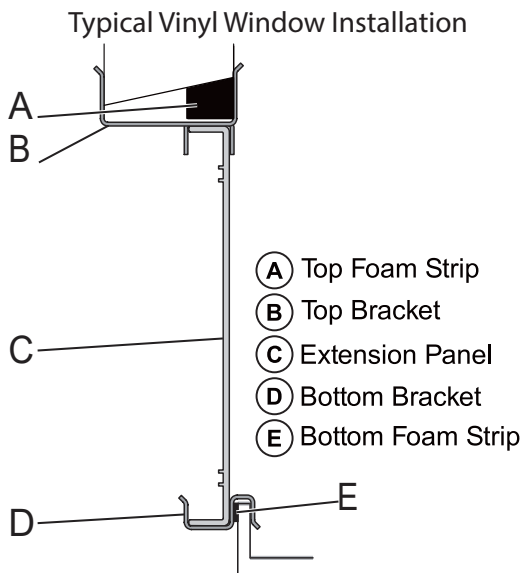
4. For vinyl windows only.

**Skip to step 6 for wood windows.**

Place the two top window brackets and two bottom window brackets where they will best support the extension panels. Use pointed screws to attach top bracket to the support panels.

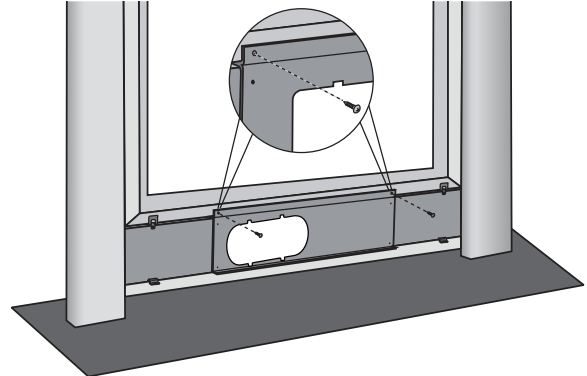


5. Apply the top foam strip (provided) across the top of the window panel assembly, and then apply the bottom foam strip (provided) across the bottom front edge of the window panel assembly, as shown.



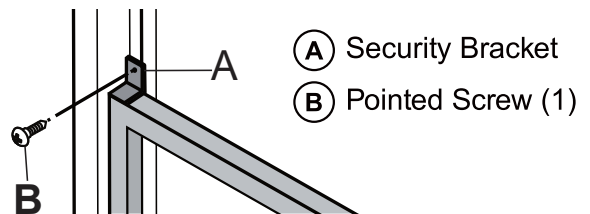
## 3. Install Main Window Panel and Extension Panels (cont)

6. Place the window panel assembly in the window, and using the screws provided, fasten the assembly to the window sill and window frame.



7. Using one pointed screw, install the Security bracket to the window.

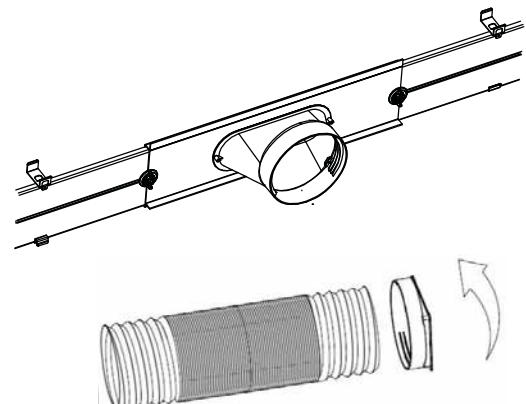
**NOTE:** The security bracket prevents the window from being opened from the outside.



## 4. Attach Exhaust Hose to the Exhaust Nozzle

1. Grasp both ends of the exhaust hose and gently pull to expand fully the ends of the hose. **Note:** Do not attach multiple hoses to extend the length, this would decrease the cooling efficiency and may cause damage to the air conditioner.

2. Turn hose clockwise and screw into the nozzle in the window panel. Attach adapter to other end of hose by turning clockwise.

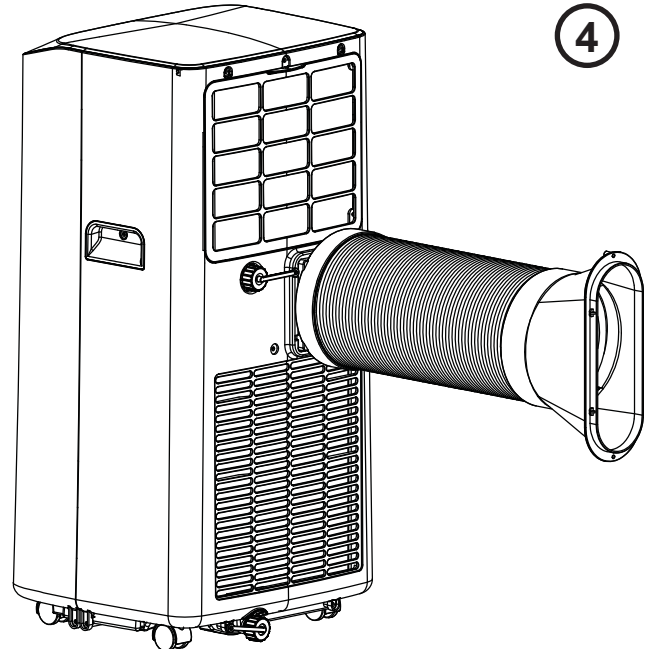
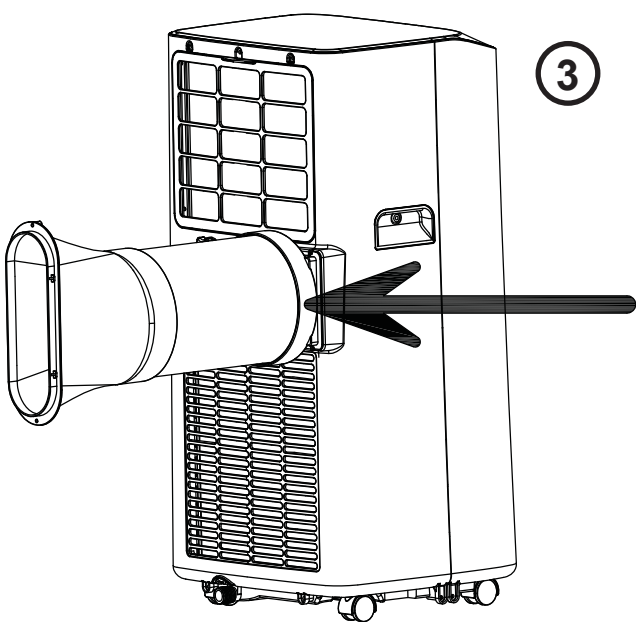
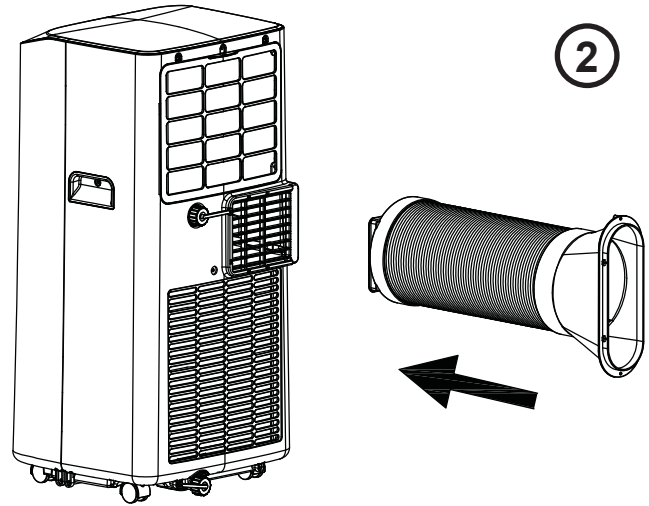
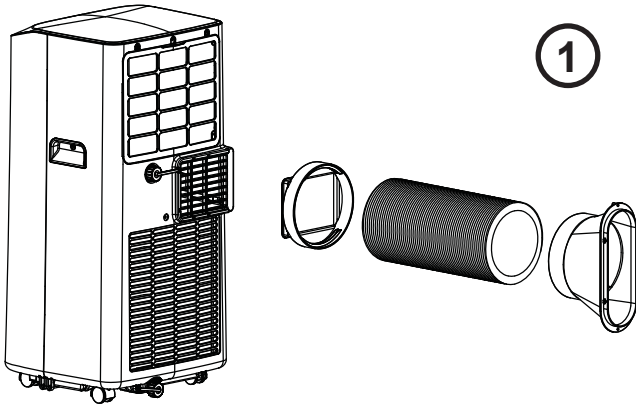


# Installation Instructions

## 5. Connect Exhaust Hose to the Air Conditioner

**NOTE:** When connecting the hose, the air conditioner must be close enough to the window that you will not dislodge the window seal plate. Once the hose is connected, move the air conditioner 20" (51 cm) from the wall.

1. Extend the flexible exhaust hose to reach out to the unit.
2. Aim the opening of the hose to the air exhaust outlet and push it hard straight into the outlet until it clicks.



## Troubleshooting Tips

Problem	Possible Causes	Solution
<b>Unit does not start or operate</b>	Power supply cord is not plugged into an outlet.	Plug the power cord into a grounded 3 prong outlet.
	Power supply cord has tripped.	Press and release the RESET button on the power supply cord.
	The Power button has not been pressed.	Press the Power button on the Control Panel or Remote Control to turn ON the air conditioner.
	There is no power to the electrical outlet.	Plug a working lamp into the outlet to check for power.
	A household fuse has blown or a circuit breaker has tripped.	Replace the fuse or reset the circuit breaker.
	The control was programmed for a Time Delay.	Cancel the Time Delay. See "Control Panel."
	The batteries in the remote control are dead.	Replace the batteries.
	The internal water tank is full. <b>NOTE:</b> The air conditioner automatically turns off, and the Water Full indicator illuminates to alert you of this condition.	Empty the water tank. See "Air Conditioner Care."
<b>Remote control is not working</b>	Batteries are dead.	Replace the batteries.
	Batteries are installed incorrectly.	Make sure the batteries are inserted in the correct position.
<b>Air conditioner is working but the room is not cooling.</b>	The room temperature is hot. <b>NOTE:</b> On extremely hot and humid days, the air conditioner will take longer to cool the room.	Allow time for the room to cool when you first turn on the unit. Make sure the air conditioner has an adequate BTU rating for the size of the room being cooled.
	The control is set incorrectly to Fan or Dehum mode.	Set the Mode to Cool and the Fan Speed to High.
	Airflow is restricted.	Remove any obstacles to the airflow and redirect airflow for uniform cooling.
	Temperature set too high.	Lower the set temperature.
	Air filters are dirty or restricted.	Clean the air filter. See "Air Conditioner Care."
	Air conditioner installed incorrectly	Check the exhaust hose and window panel for proper installation.
	Doors and windows are open.	Close the doors and windows to the room being cooled to prevent cooled air from escaping.

# Limited Warranty

For The Period Of:	Will Replace:
One Year From the date of the original purchase	<b>Replacement, repair, or refund</b> of the original retail price for any product which fails due to a defect in materials or workmanship. If the unit is exchanged, the replacement unit is warranted for the remainder of your product's original one-year warranty period. GE Appliances will, at its sole discretion, replace the product with a product of the same or comparable functionality and quality or refund the original retail price.

## In Order to Make a Warranty Claim During the First 90 Days from the Date of Original Purchase:

- Properly pack your unit. We recommend using the original carton and packing materials.
- Return the product to the retail location where it was purchased.
- Include in the package a copy of the sales receipt or other evidence of date of original purchase. Also print your name and address and a description of the defect.

## In Order to Make a Warranty Claim During the Remainder of the One-Year Warranty:

- Locate your original sales receipt and make a note of your model and serial number.
- Call **866.907.1655** (in the United States) to initiate the product replacement process.
- You will be asked to provide your name, address, date of purchase, model and serial number.
- GE Appliances will arrange for a carton to be sent to your home to recover the product.
- Please return all requested materials (postage pre-paid) in the carton provided. Please include a description of the defect.
- You should receive your replacement product or refund within 7 to 10 business days after your package is received.

## What Will Not Cover:

- Customer instruction. This owner's manual provides information regarding operating instructions and user controls.
- Improper installation. If you have an installation problem, or if the air conditioner is of improper capacity, contact your dealer or installer. You are responsible for providing adequate electrical connecting facilities.
- Failure of the product resulting from modifications to the product or due to unreasonable use including failure to provide reasonable and necessary maintenance.
- Replacement of house fuses or resetting of circuit breakers.
- Failure due to corrosion on models not corrosion-protected.
- Damage to the product caused by improper power supply voltage, accident, fire, floods or acts of God.
- Incidental or consequential damage caused by possible defects with this air conditioner.
- Damage caused after delivery.

**EXCLUSION OF IMPLIED WARRANTIES** - Your sole and exclusive remedy is product repair as provided in this Limited Warranty. Any implied warranties, including the implied warranties of merchantability or fitness for a particular purpose, are limited to one year or the shortest period allowed by law.

**For US Customers:** This limited warranty is extended to the original purchaser and any succeeding owner for products purchased for home use within the USA. If the product is located in an area where service by a GE Appliances Authorized Servicer is not available, you may be responsible for a trip charge or you may be required to bring the product to an Authorized GE Appliances Service location for service. In Alaska, the limited warranty excludes the cost of shipping or service calls to your home.

Some states do not allow the exclusion or limitation of incidental or consequential damages. This limited warranty gives you specific legal rights, and you may also have other rights which vary from state to state. To know what your legal rights are, consult your local or state consumer affairs office or your state's Attorney General.

**Warrantor US:**  
**GE Appliances, a Haier company**  
 Louisville, KY 40225

Staple your receipt here. Proof of the original purchase date is needed to obtain service under the warranty.

# Consumer Support

---

## GE Appliances Website

Have a question or need assistance with your appliance? Try the GE Appliances Website 24 hours a day, any day of the year! You can also shop for more great GE Appliances products and take advantage of all our on-line support services designed for your convenience. In the US: **GEAppliances.com**

---

## Register Your Appliance

Register your new appliance on-line at your convenience! Timely product registration will allow for enhanced communication and prompt service under the terms of your warranty, should the need arise. You may also mail in the pre-printed registration card included in the packing material. In the US: **GEAppliances.com/register**

---

## Schedule Service

Expert GE Appliances repair service is only one step away from your door. Get on-line and schedule your service at your convenience any day of the year. In the US: **GEAppliances.com/service** or call 800.432.2737 during normal business hours.

---

## Extended Warranties

Purchase a GE Appliances extended warranty and learn about special discounts that are available while your warranty is still in effect. You can purchase it on-line anytime. GE Appliances Services will still be there after your warranty expires. In the US: **GEAppliances.com/extended-warranty** or call 800.626.2224 during normal business hours.

---

## Remote Connectivity

For assistance with wireless network connectivity (for models with remote enable), visit our website at **GEAppliances.com/connect** or call 800.220.6899 in the US.

---

## Parts and Accessories

Individuals qualified to service their own appliances can have parts or accessories sent directly to their homes (VISA, MasterCard and Discover cards are accepted). Order on-line today 24 hours every day. In the US: **GEApplianceparts.com** or by phone at 877.959.8688 during normal business hours.

**Instructions contained in this manual cover procedures to be performed by any user. Other servicing generally should be referred to qualified service personnel. Caution must be exercised, since improper servicing may cause unsafe operation.**

---

## Contact Us

If you are not satisfied with the service you receive from GE Appliances, contact us on our Website with all the details including your phone number, or write to:

In the US: General Manager, Customer Relations | GE Appliances, Appliance Park | Louisville, KY 40225  
**GEAppliances.com/contact**





# ACCONDICIONADORES DE AIRE PARA SALA

**INFORMACIÓN IMPORTANTE DE SEGURIDAD . . . . . 3**

**CONTROLES . . . . . 4**

**CUIDADO Y LIMPIEZA . . . . . 7**

**INSTRUCCIONES DE INSTALACIÓN . . . . . 9**

**SOLUCIONAR PROBLEMAS . 14**

**GARANTÍA LIMITADA. . . . .15**

**SOPORTE AL CLIENTE . . . . .16**

**MANUAL DEL PROPIETARIO Y INSTRUCCIONES DE INSTALACIÓN**

APFD05

Escriba los números de modelo y serie aquí:

# de Modelo \_\_\_\_\_

# de Serie \_\_\_\_\_

Puede encontrar estos números en una etiqueta en el costado del acondicionador de aire.

## **GRACIAS POR HACER QUE GE APPLIANCES SEA PARTE DE SU HOGAR.**

---

Ya sea que haya crecido usando GE Appliances, o que ésta es su primera vez, nos complace tenerlo en la familia.

Sentimos orgullo por el nivel de arte, innovación y diseño de cada uno de los electrodomésticos de GE Appliances, y creemos que usted también. Entre otras cosas, el registro de su electrodoméstico asegura que podamos entregarle información importante del producto y detalles de la garantía cuando los necesite.

Registre su electrodoméstico GE ahora a través de Internet. Sitios Web y números telefónicos útiles están disponibles en la sección de Soporte para el Consumidor de este Manual del Propietario.

También puede enviar una carta en la tarjeta de inscripción preimpresa que se incluye con el material embalado.



**GE APPLIANCES**

# INFORMACIÓN IMPORTANTE DE SEGURIDAD

## LEA TODAS LAS INSTRUCCIONES ANTES DE USAR

### INSTRUCCIONES IMPORTANTES DE SEGURIDAD

#### ⚠ ADVERTENCIA

Para reducir el riesgo de incendio, choque eléctrico, lesiones a persona o daños al utilizar el acondicionador de aire, siga precauciones básicas incluyendo las siguientes:

- Lea todas las instrucciones antes de usar este electrodoméstico.
- Conecte a un contacto de pared de conexión a tierra de 3 terminales.
- No quite el terminal de conexión a tierra.
- No use un adaptador.
- No use un cable eléctrico de extensión.
- No utilice el acondicionador de aire si posee un cable o enchufe dañado, si no funciona correctamente, o si fue dañado o sufrió una caída.
- El acondicionador de aire solo debe ser reparado por personal de servicio competente. Llame a la compañía de servicio técnico autorizada para su inspección, reparación o ajuste.

- Desconecte el suministro de energía antes de darle servicio técnico.
- Desconecte el suministro de energía antes de limpiarlo..  
NOTA: Si apaga la unidad presionando el botón Power (Encendido), esto NO desconecta el electrodoméstico del suministro de energía.
- No instale ni utilice el acondicionador de aire en áreas donde la atmósfera contenga gases combustibles o donde la atmósfera esté contaminada. Evite que cualquier producto químico entre en contacto con el acondicionador de aire.
- No almacene nada directamente encima del acondicionador de aire.
- Cuente con la ayuda de dos o más personas para trasladar e instalar el acondicionador de aire.
- Nunca use el acondicionador de aire sin los filtros en sus posiciones.
- No use el acondicionador de aire cerca de una tina, ducha o lavabo o cerca de un área húmeda.

#### ⚠ WARNING

#### Cómo Insertar las Baterías en el Control Remoto

- Retire la tapa de las baterías, deslizando la misma siguiendo la dirección de la flecha.
- Inserte las baterías nuevas, asegurándose de que el (+) y (-) de las mismas se instalen de forma correcta.
- Vuelva a colocar la tapa deslizando la misma nuevamente hasta su posición.

#### NOTAS:

- Use 2 baterías alcalinas "AAA" (1.5 volt). No use baterías recargables.
- Retire las baterías del control remoto si el sistema no será usado por un período prolongado.
- No use pilas viejas y nuevas al mismo tiempo. No combine baterías alcalinas, estándar (carbono-zinc) o recargables (ni-cad, ni-mh, etc.).

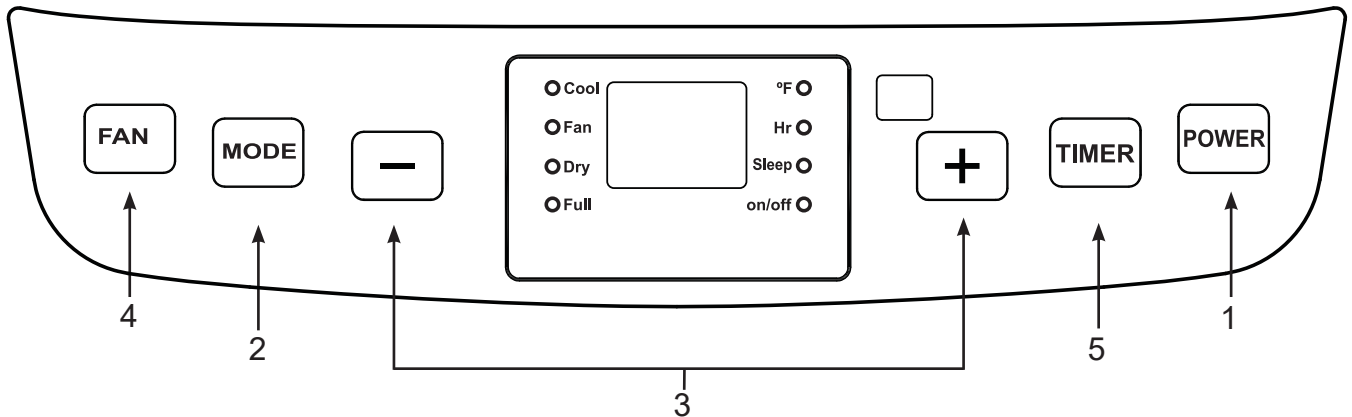
#### ⚠ WARNING

Precaución sobre Ingestión. La batería podrá causar sofocación si es tragada por niños.

## LEA Y GUARDE ESTAS INSTRUCCIONES

# Controles

Las luces al lado de las teclas de toque en el panel de control del acondicionador de aire indicarán los ajustes seleccionados. Las funciones y el aspecto pueden variar.



**NOTA:** Cuando se encienda el motor por primera vez, el indicador sonoro emitirá la música de encendido y luego el motor quedará en el modo de espera.

## 1. Botón de Encendido

Activa ON/OFF (Encendido/ Apagado) en el acondicionador de aire.

**NOTA:** Apagar el encendido presionando el botón Power (Encendido) NO desconecta el electrodoméstico del suministro de corriente.

Presione el botón **Power** (Encendido). La pantalla del indicador de encendido y temperatura se iluminará; seleccione las configuraciones deseadas luego de un minuto una vez que las luces de Display (Pantalla) se hayan apagado. Presionar cualquier botón de la unidad o unidad remota hará que la pantalla se ilumine. Luego presione los botones correspondientes para cambiar la función de la unidad.

**Nota:** Si se cambian las funciones desde el control remoto, se podrá requerir presionar botones varias veces para sincronizar el control remoto con la unidad.

## 2. Botón de Modo

Presione el botón Mode (Modo) para pasar a través de las opciones de funcionamiento. El indicador correspondiente se iluminará:

**Cool** (Frío) – Refrigerera la sala en la temperatura configurada.

**Dry** (Seco) – Reduce la humedad de la sala.

**Fan** (Ventilación) – Hace circular el aire de la sala sin refrigerar.

## 3. Botones + y -

Presione las dos teclas para cambiar las funciones Temperature (Temperatura) o Time (Temporizador).

### Para Configurar la Temperatura:

Presione los botones + o - para seleccionar la temperatura deseada.

**NOTA:** La temperatura no se podrá configurar cuando el acondicionador de aire se encuentre en los modos Fan (Ventilación) o DRY (Seco).

### Para Configurar el Temporizador:

Presione los botones + o - para seleccionar el tiempo deseado.

## 4. Botón Fan Speed (Velocidad del Ventilador):

En el modo de refrigeración o de ventilación, presione el botón Fan (Ventilación) para seleccionar la velocidad del ventilador alta o baja.

**NOTA:** La velocidad del ventilador no se podrá ajustar cuando la unidad se encuentre en el modo DRY (Seco).

## 5. Botón del Temporizador

Presione el botón Timer (Temporizador) cuando el símbolo de Timer (Temporizador) parpadee, y presione los botones + o - para seleccionar la cantidad de tiempo.

Programa un tiempo desde 1 hora hasta 24 horas para que el acondicionador se configure en Off (Apagado) u On (Encendido).

**NOTA:** Cuando el chasis de la unidad interior se llene de agua, la luz de Water Full (Lleno de Agua) se encenderá. Un indicador sonoro se activará durante varios segundos y el compresor se detendrá.

Para acceder a instrucciones sobre el drenaje de agua de la unidad, consulte la página 5.

# Controles

La pantalla siempre mostrará la temperatura ambiente por omisión.

Cuando el acondicionador de aire sea encendido, se iniciará de forma automática en las configuraciones de modo y ventilación que fueron usadas por última vez.

## Función de Protección de Congelación:

En los modos de refrigeración o seco, si la temperatura de la manguera de salida se encuentra demasiado baja, el acondicionador de aire pasará de forma automática a un

estado de protección de la unidad. Cuando la temperatura se eleve a un nivel normal, la unidad reiniciará de forma automática el funcionamiento normal.

## Función de Protección contra Desbordes:

Cuando el agua de la bandeja supere el nivel de advertencia, el motor activará de forma automática una alarma, la luz indicadora FULL (Completo) parpadeará y la unidad se apagará. En este punto, usted necesitará drenar el agua

desde el drenaje inferior (para más detalles, consulte las instrucciones sobre Drenaje). Una vez vaciada el agua, el motor reiniciará de forma automática el funcionamiento normal.

## Descongelación Automática (en algunos modelos)

El motor cuenta con una función de descongelación automática.

## Función de Protección del Compresor

A fin de incrementar la vida útil del compresor, el acondicionador de aire cuenta con un retraso de 3 minutos luego del apagado del compresor que permite la protección del mismo.

# Instrucciones de Drenaje

### Drenaje manual de la unidad:

**Nota:** Por favor, mueva el acondicionador de aire con cuidado, no derrame agua sobre la bandeja en la parte inferior de la unidad.

1. Cuando el acondicionador de aire se detenga una vez que el agua llegue hasta el tope, apague el mismo y desenchufe el cable de corriente.
2. Coloque un recipiente de agua con capacidad superior a aquella del sumidero (por lo menos 1 ½ cuartos de galón) debajo de la salida de agua inferior trasera, sobre el lado trasero de la unidad.
3. Destornille la tapa de drenaje y retire el tapón de agua; el agua circulará de forma automática hacia el recipiente de agua.

**Nota:** Durante el drenaje, el cuerpo se podrá inclinar levemente hacia atrás. Si el recipiente de agua no logra contener toda el agua, antes de que éste se llene, vuelva a colocar el tapón del agua tan pronto como se posible para evitar que ésta circule hacia el piso o la alfombra.

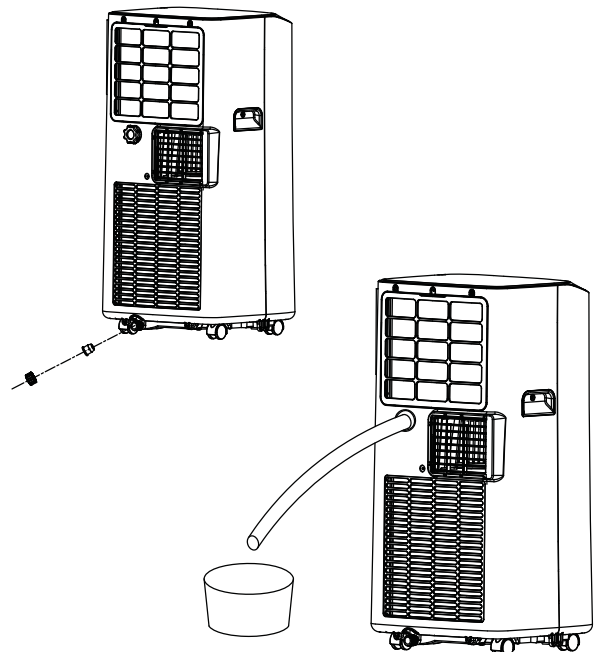
4. Una vez descargada el agua, asegure el tapón de agua y ajuste la tapa del drenaje.

**Nota:** Reinicie el acondicionador de aire luego de haber colocado el tapón de agua; de otro modo, el agua condensada del acondicionador de aire será drenada sobre el piso o la alfombra.

### Drenaje continuo (opción, y sólo en el modo seco)

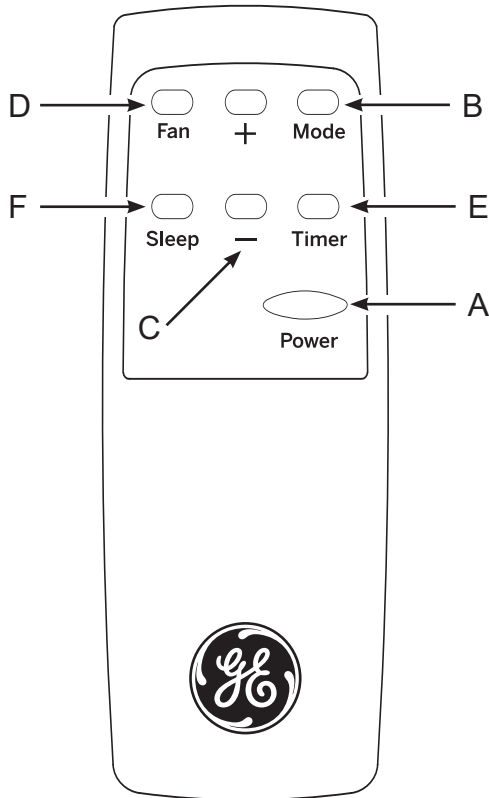
1. Retire el tapón del drenaje superior.
2. Conecte una manguera de drenaje con un diámetro exterior de 1/2" en la salida de agua.

3. Haga circular una manguera de drenaje hasta un balde o el drenaje en el piso.
4. Asegúrese de usar un recipiente grande (se recomienda uno de 3 galones o más) y monitoree el nivel de agua del recipiente de forma continua. La unidad no se apagará cuando el recipiente esté lleno. Un recipiente que se desborde podrá ocasionar una inundación y daños sobre el piso.



## Controles

Las luces al lado de las teclas de toque en el panel de control del acondicionador de aire indicarán los ajustes seleccionados. Las funciones y el aspecto pueden variar.



### CONTROL REMOTO

1. Inserte las dos baterías AAA (provistas).
2. Apunte el control remoto hacia el receptor de señal del panel de control para comandar el acondicionador de aire.

#### A. Botón de Encendido

Activa ON/OFF (Encendido/ Apagado) en el acondicionador de aire.

#### B. Botón de Modo

Presione el botón Mode (Modo) para pasar a través de las opciones de funcionamiento y los modos de refrigeración, ventilación y seco.

#### C. Botones + y -

Ajustan el valor de configuración de las funciones Temperature (Temperatura) o Timing (Temporizador).

#### D. Botón de Ventilación

Presione el botón Fan (Ventilación) para ajustar la velocidad del ventilador desde la velocidad Low (Baja) a High (Alta).

#### E. Temporizador

Presione el botón Timer (Temporizador) para activar el temporizador en ON/OFF (Encendido/ Apagado). Use los botones + o - para ajustar el temporizador.

#### F. Botón de Inactividad

Presione el botón Sleep (Inactividad) para activar este modo.

**Nota:** La pantalla LED del acondicionador de aire se apagará 1 minuto después de haber presionado el último botón. Para encender la pantalla LED, presione cualquier botón de la unidad o del control remoto. Luego presione la función correspondiente del control para cambiar las configuraciones; es posible que sea necesario presionar el control remoto varias veces para su sincronización con la unidad.

## LIMPIEZA

### ⚠ ADVERTENCIA



#### Riesgo de descarga eléctrica

Desconecte la fuente de alimentación antes de limpiar.

El incumplimiento de estas instrucciones puede provocar la muerte o una descarga eléctrica

1. Desenchufe o desconecte el suministro de energía.
2. Útil solamente un paño dulce humedecido con agua para limpiar el gabinete.

#### NOTA:

- No use un limpiador líquido o con rociador para limpiar el acondicionador de aire.
  - No usar productos químicos, abrasivos, amoníaco, blanqueador con cloro, detergentes concentrados, solventes o estropajos de metal. Algunos de estos artículos / productos químicos pueden dañar y / o decolorar su acondicionador de aire.
3. Ve bien con un paño dulce.
  4. Enchufe o vuelva a conectar el suministro de energía..

## Limpieza de la superficie

Limpie la superficie del motor con una tela suave y húmeda. No use químicos, tales como benceno, alcohol, gasolina, etc.; de otro modo, se dañará la superficie del acondicionador o la unidad en su totalidad.

## Filtro de Aire

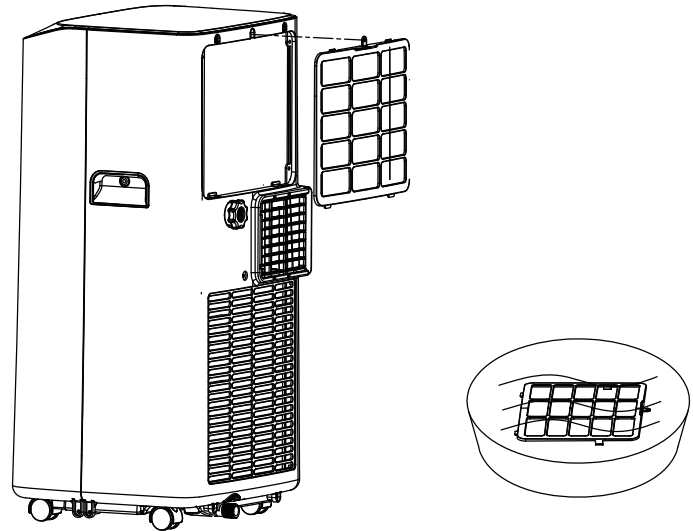
Los filtros de aire se deberán limpiar por lo menos cada dos semanas, a fin de que su unidad brinde un rendimiento óptimo.

### ⚠ CAUTION

**NO** utilice el acondicionador de aire sin un filtro, ya que la suciedad y las pelusas producirán atascamientos y reducirán su funcionamiento.

#### Para limpiar el marco de la pantalla del filtro superior:

1. Retire el tornillo que asegura el marco del filtro en la parte superior central del filtro, y presione hacia abajo sobre la parte superior del marco para retirar el marco del filtro de la unidad.
2. Limpie el filtro usando una aspiradora o coloque el mismo en agua caliente con detergente neutral y enjuáguelo con agua corriente.
3. Espere hasta que el filtro se seque antes de realizar su instalación en la unidad.



## RANGEMENT

Durante largos periodos de infantilización del dispositivo:

- 1 Desconecte o desconecte la fuente de alimentación eléctrica.
2. Drene el agua del tanque de agua. Consulte Mantenimiento de laacondicionador de aire.

3. Coloque la unidad en su embalaje original para evitar la acumulación de polvo o suciedad.
4. Guarde el aire acondicionado en un lugar fresco y seco.

# Instrucciones de instalación

¿Preguntas? Llame a GE Appliances al 866-907-1655 o visite nuestro sitio web en: [GEAppliances.com](http://GEAppliances.com).

## ANTES DE INICIAR

Lea estas instrucciones completa y cuidadosamente.

- **IMPORTANTE** — Guarde estas instrucciones para uso del inspector local.
- **IMPORTANTE** — Observe todos los códigos y órdenes de ley.
- **Nota al instalador** – Asegúrese de dejar estas instrucciones con el consumidor.
- **Nota al consumidor** – Conserve estas instrucciones para referencia futura.
- **Nivel de destreza** – La instalación de este aparato requiere de destrezas mecánicas básicas.
- **Tiempo de ejecución** – Aprox. 1 hora
- Recomendamos que el producto sea instalado por dos personas.
- La instalación apropiada es la responsabilidad del instalador.
- La falla del producto debido a una instalación inadecuada no está cubierta por la garantía.
- Cuando instale este acondicionador de aire, **DEBE** usar todas las piezas suministradas y usar procedimientos adecuados de instalación.

## REQUISITOS ELÉCTRICOS

Estos modelos requieren un tomacorriente con conexión a tierra de 115/120 voltios, CA, 60-Hz protegido con un fusible de retraso de 15 amperes o un disyuntor.

El enchufe de tres púas con conexión a tierra minimiza la posibilidad de descargas eléctricas. Si el tomacorriente de la pared que usted planea usar solamente tiene 2 tomas, es su responsabilidad hacer que un técnico lo reemplace por uno de tres tomas con conexión a tierra.

## ⚠ PRECAUCIÓN

Bajo ninguna circunstancia corte o remueva la tercera púa (conexión a tierra) del cable eléctrico.

No cambie el enchufe en el cable eléctrico de este acondicionador de aire.

Los cables caseros de aluminio podrían presentar problemas especiales. Consulte a un técnico electricista calificado.

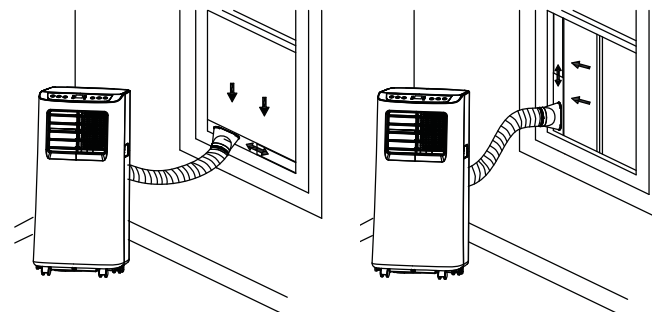
El cable de alimentación incluye un dispositivo para interrupción de corriente. Se incluye un botón de prueba y de reinicio en el dispositivo. El dispositivo debe ponerse a prueba periódicamente: primero se presiona el botón de TEST (prueba) y luego RESET (reinicio) mientras se encuentra enchufado al tomacorriente. Si el botón TEST no se dispara o si el botón RESET no queda enganchado, deje de utilizar el acondicionador de aire y comuníquese con un técnico calificado.

## Requisitos De Ubicación

- Coloque el acondicionador de aire sobre una superficie plana y nivelada en una ubicación que esté al menos a 20" (50 cm) de la pared.

**NOTA:** La distancia recomendada de la ventana para un rendimiento óptimo es de 20" (50 cm).

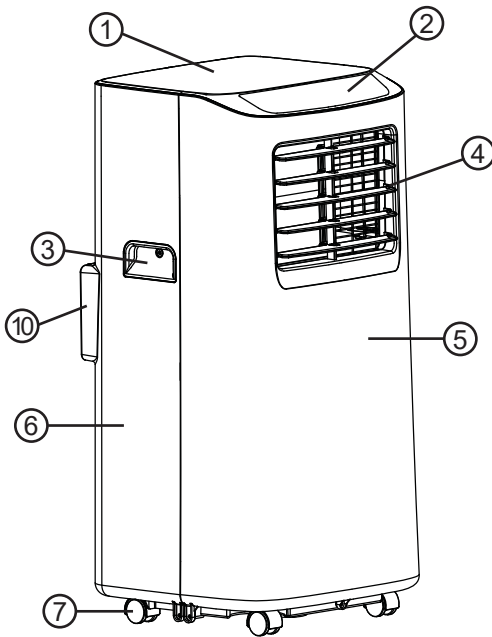
- Mantenga un espacio libre mínimo de 20" (50 cm) alrededor del acondicionador de aire para no bloquear el flujo de aire.
- Mantenga el acondicionador de aire libre de obstrucciones como cortinas con pliegues, cortinas, persianas, etc.
- La manguera de escape debe estar libre de cualquier obstrucción.
- No coloque el acondicionador de aire en una superficie inestable o elevada, ya que podría caerse y provocar daños o lesiones.
- No exponga el acondicionador de aire a la luz directa del sol o cerca una fuente de calor como zócalos radiantes, estufas, etc.
- El panel de la ventana puede instalarse en una ventana con una abertura mínima de 20" (50.8 cm) hasta un máximo de 48" (121.9 cm).



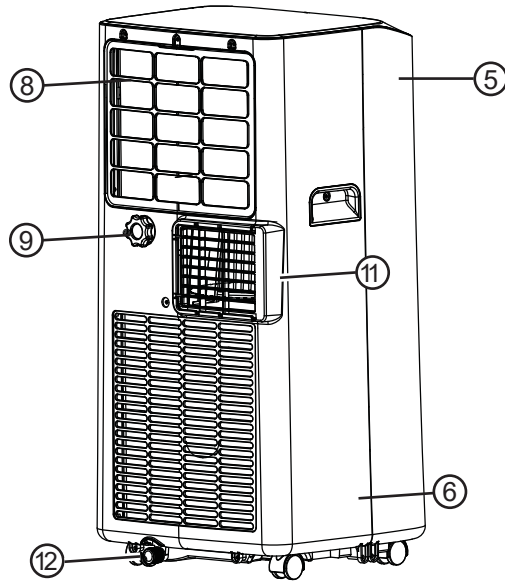


## PARTES INCLUIDAS

(Apariencia puede variar)



1. Cubierta Superior
2. Panel de Control
3. Manija
4. Salida de Aire/ Rejilla
5. Carcasa Frontal
6. Carcasa Trasera
7. Ruedita



8. Filtro Superior
9. Drenaje Superior Continuo
10. Base de Envoltura del Cable
11. Ventilación de Aire de Salida
12. Drenaje Inferior

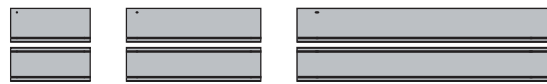
Ensamble de la Manguera de Salida



Kit de Montaje tipo Ventana



- 1 pieza – Panel Central de 20"
- 1 pieza – Extensión de 5 1/2"
- 1 pieza – Extensión de 9"
- 2 piezas – Extensión de 16"



Soporte de Ventana Superior (2)



Soporte de Ventana Inferior (2)



Soporte de Seguridad



Destornillador de Punta Plana para la boquilla de salida hacia el panel de ventana principal



Tornillos de Punta (7)  
2 - Soporte de Ventana Superior  
1 - Soporte de Seguridad  
4 - Panel de Ventana Principal



Banda de Gomaespuma Superior



Banda de Gomaespuma Inferior



Banda de Gomaespuma



Control Remoto  
Pilas (2)

### HERRAMIENTAS QUE NECESITARÁS

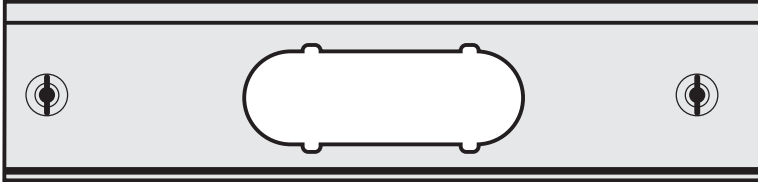


Un destornillador de estrella  
(No incluido)

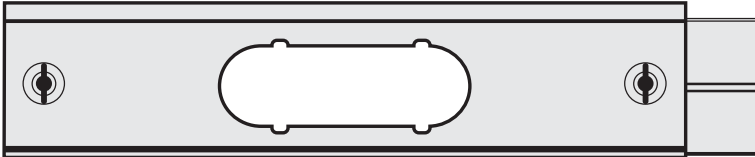
# Instrucciones de instalación

## Combinaciones del Panel de Ventana para calzar en las aberturas de ventana (Apariencia puede variar)

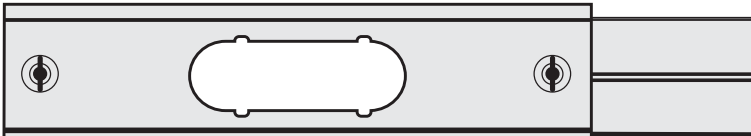
Abertura de Ventana de 20"  
Panel Central Únicamente



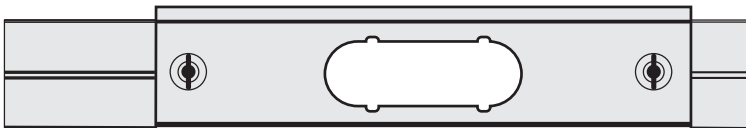
Abertura de Ventana de 20" a 23 1/2"  
Panel Central + Extensión de 5 1/2"



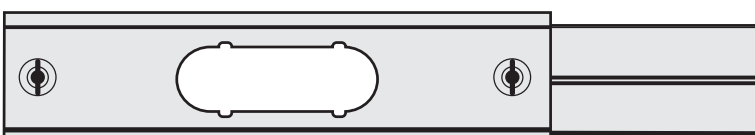
Abertura de Ventana de 23 1/2" a 27"  
Panel Central + Extensión de 9"



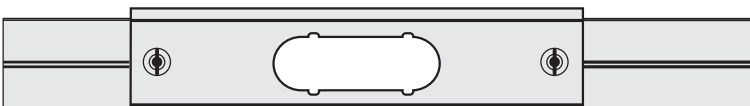
Abertura de Ventana de 23 1/2" a 30 1/2"  
Panel Central + Extensiones de 9" a 5 1/2"



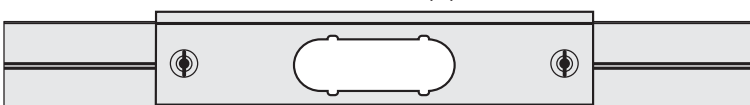
Abertura de Ventana de 30 1/2" a 34"  
Panel Central + Extensión de 16"



Abertura de Ventana de 34" a 41"  
Panel Central + Extensiones de 9" a 16"



Abertura de Ventana de 41" a 48"  
Panel Central + Extensiones de 16" (2)



# Instrucciones de instalación

## 1. Desembale El Acondicionador De Aire

**NOTA:** Antes de usar el acondicionador de aire, mantenga

### ⚠ WARNING

Riesgo de Peso Excesivo

- Cuenten con la ayuda de dos o más personas para trasladar e instalar el acondicionador de aire.
- Si esto no se cumple, se podrán producir lesiones en la espalda u otras heridas.

el mismo erguido durante por lo menos 2 horas.

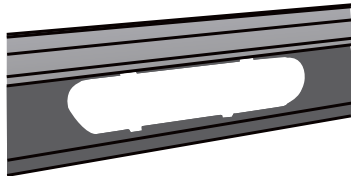
- Retire los materiales del embalaje. Conserve el cartón y el embalaje de gomaespuma para guardar el acondicionador de aire cuando no se encuentre en uso.

**NOTA:** NO hay materiales de embalaje dentro del acondicionador de aire que sean necesarios retirar - No abra el gabinete.

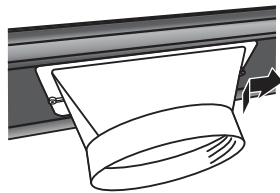
- Descarte/ recicle de forma adecuada todos los materiales de embalaje.
- Manipule el acondicionador de aire de forma delicada.
- Mantenga el acondicionador de aire erguido y nivelado. No ubique el acondicionador de aire sobre su lateral, frente, parte trasera o dado vuelta.

## 2. Instale la Boquilla de Salida al Panel de la Ventana Principal

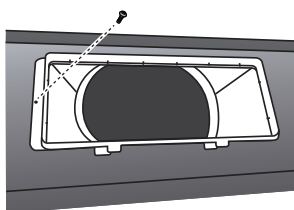
1. Mantenga el panel de la ventana principal de modo que los extremos con forma de L del panel miren hacia usted.



2. Alinee la boquilla de salida con las ranuras de la abertura, y luego inserte y deslice la boquilla para acceder al agujero desde la parte trasera del panel de ventana principal.



3. Dé vuelta el panel de ventana principal, de modo que la boquilla quede alejada de usted. Inserte un destornillador de punta plana a través del agujero para ajustar el panel de ventana al adaptador.

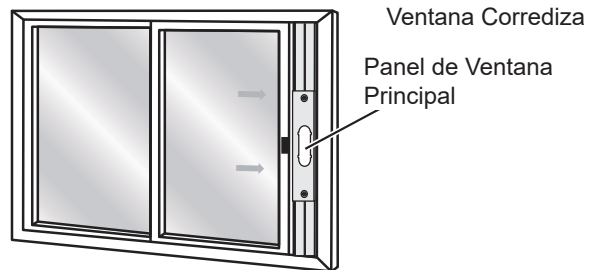
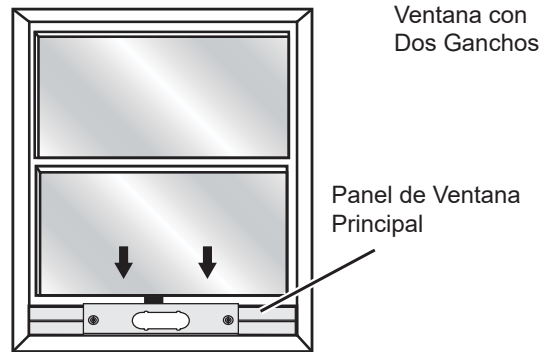


## 3. Instale el Panel de Ventana Principal y los Paneles Extensibles

**NOTA:** Mida la abertura de la ventana y use los paneles extensibles como se hace referencia en la página 10 para que calcen en su ventana.

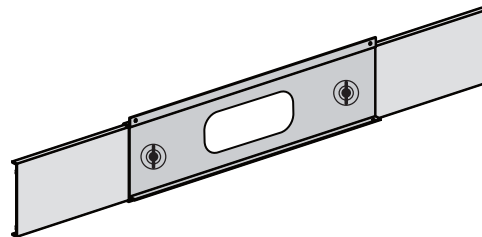
1. Abra la ventana y coloque el ensamble del kit de ventana sobre ésta.

**NOTA:** El ensamble de ventana fue diseñado para su ubicación sobre dos ganchos o sobre una ventana corrediza.



2. Ajuste el panel(es) extensible sobre el ancho o la altura de la ventana como se muestra.

3. Dependiendo de la cantidad de paneles extensibles usados, utilice dos o cuatro tornillos con cabeza plana para ajustar el panel(es) extensible al panel principal. Realice la instalación desde la parte trasera.



**NOTA:** Existen muchos tipos de ventanas en el mercado hoy en día. Use las bandas de gomaespuma y los soportes (provistos) para asegurar los paneles extensibles que calzarán sobre la abertura de la ventana.

# Instrucciones de instalación

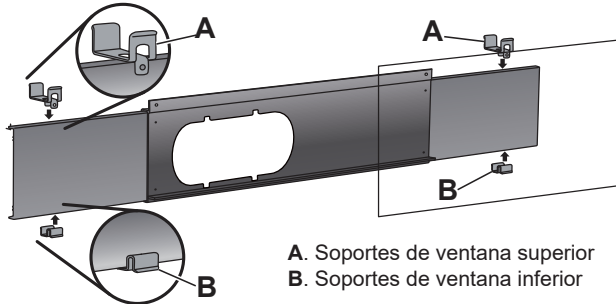
## 3. Instale el Panel de Ventana Principal y los Paneles Extensibles (cont)

### 4. Para ventanas de vinilo únicamente

**Dirijase al paso 6 si se usarán ventanas de madera**

Coloque los dos soportes de ventana superiores y los dos soportes de ventana inferiores donde mejor sostengan los paneles extensibles. Use tornillos pintados para adherir el soporte superior a los paneles de soporte.

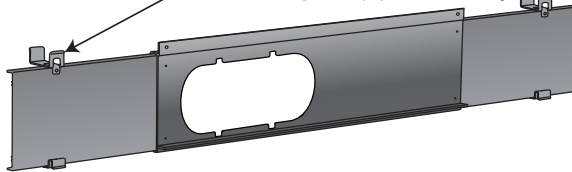
Antes del montaje Usar solo para vinilo



A. Soportes de ventana superior  
B. Soportes de ventana inferior

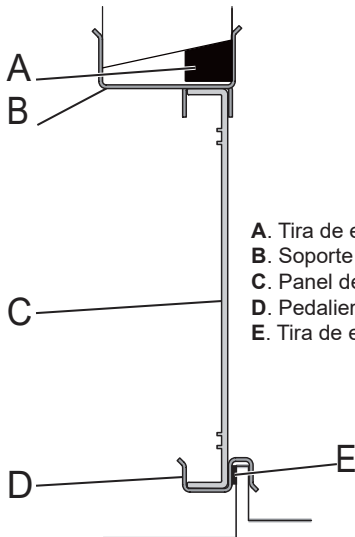
Después del montaje

Fijar con tornillo puntiagudo (2)



5. Coloque la banda de gomaespuma superior (provista) a través de la parte superior del ensamble del panel de ventana, y luego coloque la banda de gomaespuma inferior (provista) a través del extremo frontal inferior del ensamble del panel de ventana, como se muestra.

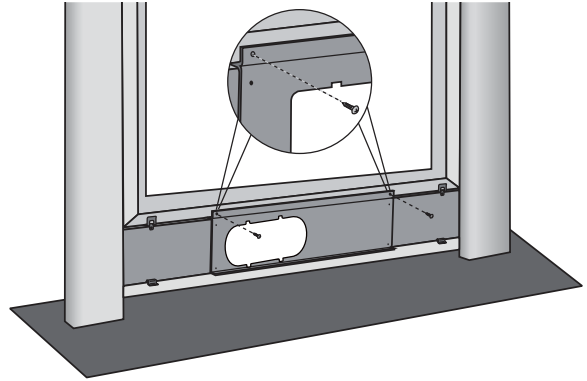
Instalación típica de una ventana de vinilo



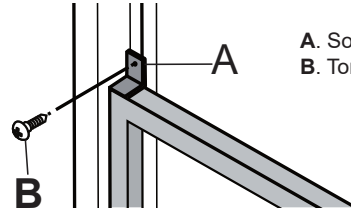
A. Tira de espuma superior  
B. Soporte superior  
C. Panel de extensión  
D. Pedalier  
E. Tira de espuma inferior

## 3. Instale el Panel de Ventana Principal y los Paneles Extensibles (cont)

6. Coloque el ensamble del panel de ventana en la ventana, y usando los tornillos provistos, ajuste el ensamble al alféizar de la ventana y al marco de la ventana.



7. Utilizando un tornillo de punta, instale el soporte de seguridad a la ventana. **NOTA:** El soporte de seguridad impide que la ventana sea abierta desde la parte exterior.

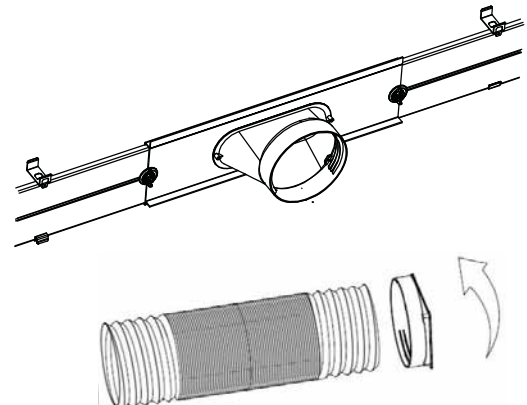


A. Soporte de seguridad  
B. Tornillo puntiagudo (1)

## 4. Adhiera la Manguera de Salida a la Boquilla de Salida

1. Tome ambos extremos de la manguera de salida, y de forma suave empuje hasta extender sus extremos completamente. Nota: No adhiera otras mangueras para extender la longitud, ya que esto hará disminuir la eficiencia de la refrigeración y podrá ocasionar daños sobre el acondicionador de aire.

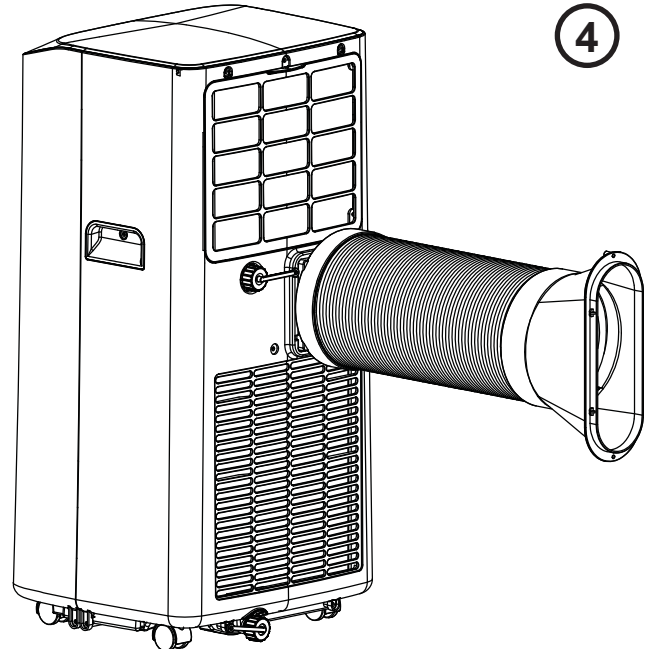
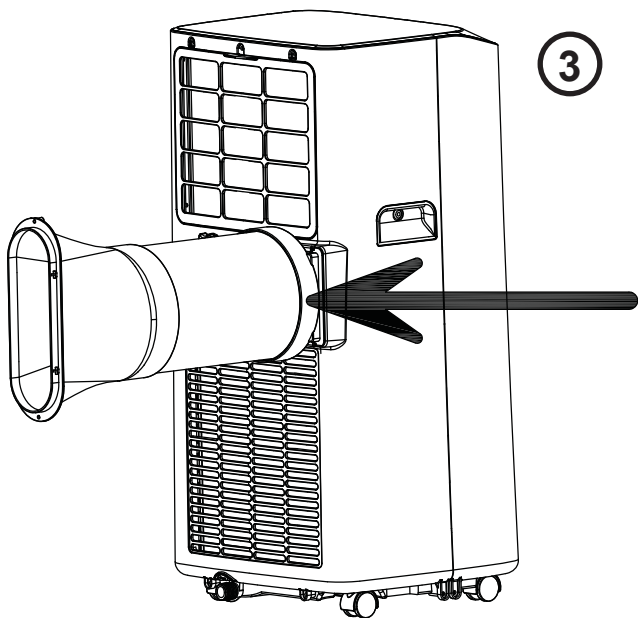
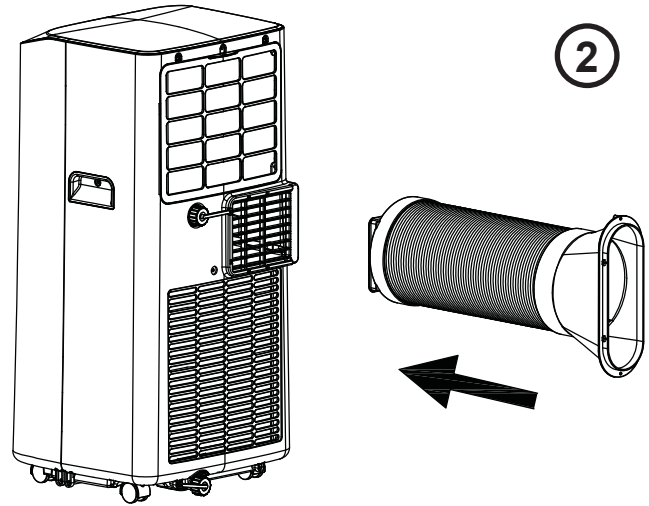
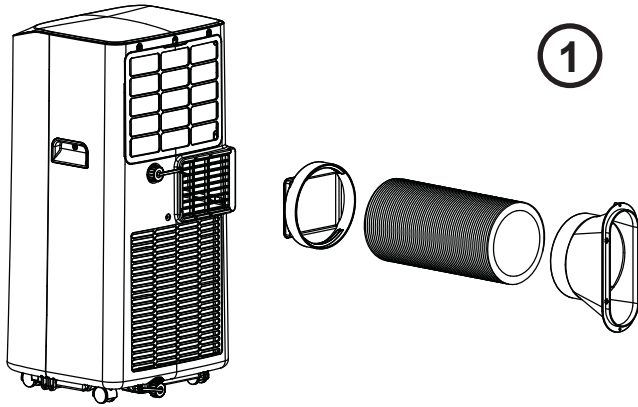
2. Gire la manguera en sentido horario y enrosque la misma sobre la boquilla del panel de ventana. Adhiera el adaptador sobre el otro extremo de la manguera girando en sentido antihorario.



## 5. Conecte la Manguera de Salida al Acondicionador de Aire

**NOTA:** Al conectar la manguera, el acondicionador de aire deberá estar lo suficientemente cerca de la ventana de modo que se pueda retirar la placa de la junta de la ventana. Una vez conectada la manguera, mueva el acondicionador de aire 20" (51 cm) desde la pared.

1. Extienda la manguera de salida flexible para llegar hasta la unidad.
2. Apunte la abertura de la manguera hacia la salida de aire y presione con fuerza hacia la salida hasta que haga clic.



## Solucionar problemas

Problema	Causas posibles	Qué hacer
<b>La unidad no se pone en marcha ni funciona</b>	El cable de suministro de energía no está enchufado en un toma corriente.	Conecte el cable eléctrico a un toma corriente de 3 terminales con conexión a tierra.
	El cable de suministro de energía se ha disparado.	Presione y libere RESET (Restablecer) en el cable de suministro de energía.
	El botón Power (Encendido) no se ha presionado.	Presione el botón Power (Encendido) en el panel de control o el control remoto para ENCENDER el acondicionador de aire.
	El toma corriente eléctrico no recibe suministro eléctrico.	Enchufe una lámpara de trabajo en el toma corriente para verificar si hay energía.
	Se ha fundido un fusible de la casa o se ha disparado un cortacircuitos.	Reemplace el fusible o reposicione el cortacircuitos.
	El control fue programado para un tiempo diferido.	Cancele el tiempo diferido. Vea "Panel de control".
	Las pilas del control remoto están agotadas.	Reemplace las pilas.
	El tanque de agua interno está lleno. NOTA: El acondicionador de aire se apaga automáticamente y el indicador Water Full (Máximo nivel de agua) se ilumina para avisarle de este estado.	Vacíe el tanque de agua. Vea "Cuidado del acondicionador de aire".
<b>El control remoto no funciona</b>	Las pilas están agotadas.	Reemplace las pilas.
	Las pilas están insertadas de forma incorrecta.	Asegúrese de que las pilas se inserten en la posición correcta.
<b>El acondicionador de aire está funcionando, pero la habitación no se enfría.</b>	La temperatura de la habitación está caliente. NOTA: En días muy calurosos y húmedos, el acondicionador de aire necesitará más tiempo para enfriar la habitación.	Dé tiempo para que la habitación se enfríe cuando enciende la unidad por primera vez. Asegúrese de que el acondicionador de aire tenga una categoría de BTU (Unidad Térmica Británica) adecuada para el tamaño de la habitación que desea enfriar.
	El control se ha fijado incorrectamente en modo Fan (Ventilador) o Dehum.	Fije el modo Cool (Enfriamiento) y la velocidad del ventilador en High (Alta).
	El flujo de aire ha disminuido.	Quite los obstáculos que bloquean el flujo de aire y redirija el flujo de aire para lograr un enfriamiento uniforme.
	La temperatura está fijada demasiado alta.	Baje la temperatura fijada.
	Los filtros de aire están sucios u obstruidos.	Limpie el filtro de aire. Vea "Cuidado del acondicionador de aire".
	El acondicionador de aire se ha instalado incorrectamente.	Verifique que la manguera de escape y el panel de la ventana estén correctamente instalados.
	Las puertas y las ventanas están abiertas.	Cierre las puertas y las ventanas de la habitación que desea enfriar para evitar que el aire enfriado se escape.
<b>Exhibe "E1"</b>	El sensor de temperatura de la manguera detecta algo atípico.	Controle el sensor de temperatura de la manguera y los circuitos relacionados.
<b>Exhibe "E2"</b>	El sensor de temperatura de la manguera detecta algo atípico.	Controle el sensor de temperatura de la manguera y los circuitos relacionados.

# Garantía de su acondicionador de aire—garantía limitada de un año.

Abroche su recibo aquí. Para acceder al servicio técnico de acuerdo con la garantía deberá contar con la prueba de la fecha original de compra.

Por el Período de:	Reemplazaremos:
Un Año Desde la fecha de la compra original	<b>Reemplazo, reparación o reembolso</b> del costo minorista original de cualquier producto que falle debido a un defecto en los materiales o la fabricación. Si la unidad es cambiada, la unidad de reemplazo posee garantía por el resto del período de la garantía original de un año sobre su producto. GE Appliances reemplazará, a su exclusivo criterio, el producto por otro de la misma o de una funcionalidad y calidad comparable o hará un reembolso por el precio minorista original.

## A Fin de Realizar una Reclamo sobre la Garantía Durante los Primeros 90 Días desde la Fecha Original de Compra:

- **Embale la unidad correctamente. Le recomendamos usar la caja de cartón y los materiales de embalaje originales.**
- **Entregue el producto en la ubicación del vendedor minorista donde fue adquirido.**
- **Incluya en el paquete una copia del receptor de la venta u otro comprobante de la fecha de compra original. También escriba su nombre y domicilio y una descripción del defecto.**

## A Fin de Realizar un Reclamo sobre la Garantía Durante el Resto de la Garantía de un Año:

- **Ubique su recibo de venta original y haga una nota de su modelo y número de serie.**
- **Llame al 866.907.1655 (en Estados Unidos) para iniciar el proceso de reemplazo del producto.**
- **Se solicitará su nombre, domicilio, fecha de compra, y números de modelo y serie.**
- **GE Appliances hará arreglos para que se envíe una caja de cartón a su hogar para recuperar el producto.**
- **Por favor entregue todos los materiales solicitados (envío postal prepago) en la caja de cartón provista. Por favor incluya una descripción del defecto.**
- **Debería recibir el producto de reemplazo o un reembolso entre los 7 y 10 días hábiles una vez que hayamos recibido su paquete.**

## Qué No Será Cubierto:

- **Instrucción al cliente. Este manual del propietario brinda información relacionada con instrucciones de funcionamiento y controles del usuario.**
- **Instalación inadecuada. Si tiene un problema de instalación o el acondicionador de aire no posee la capacidad adecuada, contacte a su vendedor minorista o instalador. Usted es responsable de brindar instalaciones de conexión eléctrica adecuadas.**
- **Falla del producto como resultado de modificaciones sobre el mismo o debido a un uso irrazonable, incluyendo la falta de mantenimiento razonable o necesario.**
- **Reemplazo de fusibles del hogar o reinicio de disyuntores.**
- **Fallas como consecuencia de corrosión en modelos sin protección contra ésta.**
- **Daños ocasionados sobre el producto por nivel de suministro de voltaje inadecuado, accidente, incendio, inundaciones o catástrofes naturales.**
- **Daños consecuentes o incidentales causados por posibles defectos del acondicionador de aire.**
- **Daño causado después de la entrega.**

**EXCLUSIÓN DE GARANTÍAS IMPLÍCITAS**—Su única y exclusiva alternativa es la reparación del producto, como se indica en la Garantía Limitada. Las garantías implícitas, incluyendo garantías implícitas de comerciabilidad o conveniencia sobre un propósito particular, se limitan a un año o al período más corto permitido por la ley.

Para Clientes de EE.UU: Esta garantía limitada se extiende al comprador original y a cualquier dueño subsiguiente de productos comprados para uso hogareño dentro de EE.UU. Si el producto está en un área donde no se encuentra disponible un Proveedor Autorizado del Servicio Técnico de GE Appliances, usted será responsable por el costo de un viaje o se podrá requerir que traiga el producto a una ubicación del Servicio Técnico de GE Appliances Autorizado para recibir el servicio. En Alaska, la garantía limitada excluye el costo de envío o llamadas del servicio técnico a su hogar.

Algunos estados no permiten la exclusión o limitación de daños fortuitos o consecuentes. Esta garantía limitada le da derechos legales específicos y es posible que tenga otros derechos legales que varían entre un estado y otro. Para conocer cuáles son sus derechos legales, consulte a la oficina de asuntos del consumidor local o estatal o al Fiscal de su estado.

Garante en EE.UU:  
GE Appliances, a Haier company  
Louisville, KY 40225

Abroche su recibo aquí. Para acceder al servicio técnico de acuerdo con la garantía deberá contar con la prueba de la fecha original de compra.

# Soporte al Cliente

---

## GE Appliances Sitio Web

¿Desea realizar una consulta o necesita ayuda con su electrodoméstico? ¡Intente a través del Sitio Web de Electrodomésticos de GE Appliances las 24 horas del día, cualquier día del año! Usted también puede comprar más grandiosos productos de GE Appliances y sacar ventaja de todos nuestros servicios a través de Internet diseñados para su conveniencia.  
En EE.UU.: [GEAppliances.com](http://GEAppliances.com)

---

## Registre su Electrodoméstico

¡Registre su electrodoméstico nuevo a través de Internet, según su conveniencia! Un registro puntual de su producto permitirá una mejor comunicación y un servicio más puntual de acuerdo con los términos de su garantía, en caso de surgir la necesidad. También puede enviar una carta en la tarjeta de inscripción pre-impresa que se incluye con el material embalado.  
En EE.UU.: [GEAppliances.com/register](http://GEAppliances.com/register)

---

## Servicio Programado

El servicio de reparación de expertos de GE Appliances está a sólo un paso de su puerta. ¡Conéctese a través de Internet y programe su servicio a su conveniencia cualquier día del año! En EE.UU.: [GEAppliances.com/service](http://GEAppliances.com/service) o llame al 800.432.2737 durante el horario comercial habitual.

---

## Garantías Extendidas

Adquiera una garantía extendida de GE Appliances y aprenda sobre descuentos especiales que están disponibles mientras su garantía aún está vigente. La puede adquirir en cualquier momento a través de Internet. Los Servicios de GE Appliances aún estarán allí cuando su garantía caduque. En EE.UU.: [GEAppliances.com/extended-warranty](http://GEAppliances.com/extended-warranty) o llame al 800.626.2224 durante el horario comercial habitual.

---

## Conectividad Remota

Para solicitar asistencia con la conectividad de red inalámbrica (para modelos con activación remota), visite nuestro sitio Web en [GEAppliances.com/connect](http://GEAppliances.com/connect) o llame al 800.220.6899 en EE.UU.

---

## Piezas y Accesorios

Individuos calificados para realizar el servicio técnico de sus propios electrodomésticos podrán solicitar el envío de piezas o accesorios directamente a sus hogares (se aceptan las tarjetas VISA, MasterCard y Discover). Ordene a través de Internet hoy durante las 24 horas del día. En EE.UU.: [GEApplianceparts.com](http://GEApplianceparts.com) o por teléfono al 877.959.8688 durante el horario comercial habitual.

**Las instrucciones que figuran en este manual cubren los procedimientos que serán realizados por cualquier usuario. Otros servicios técnicos generalmente deberían ser derivados a personal calificado del servicio. Se deberá tener cuidado, ya que una reparación indebida podrá ocasionar que el funcionamiento no sea seguro.**

---

## Contáctenos

Si no se encuentra satisfecho con el servicio que recibió de GE Appliances, comuníquese con nosotros a través de nuestro sitio Web con todos los detalles, incluyendo su número telefónico, o escriba a:

En EE.UU.: General Manager, Customer Relations | GE Appliances, Appliance Park | Louisville, KY 40225  
[GEAppliances.com/contact](http://GEAppliances.com/contact)