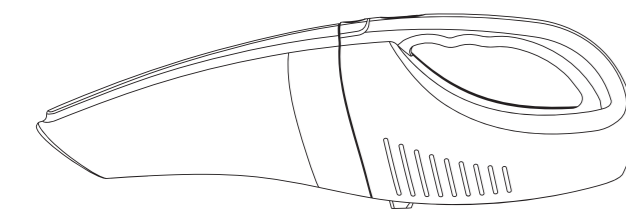


User Manual

Vacuum Cleaner



Model: V5

Contents

- Product parts list 01
- V5 basic information 01
- Working mode 01
- Parts and functional description 02
- Usage scenarios 03
- Vacuum cleaner cleaning guide 05
- Safety instructions 08
- Charging guide 09
- Troubleshooting guide 09
- Correct disposal of this product 10

Made in China



Product parts list

Number	Name	Quantity
1	Whole Machine	1
2	Vehicle cigarette lighter	1
3	Long Flat Nozzle	1
4	Hosepipe	1
5	Brush	1
6	Cleaning Brush	1

V5 basic information

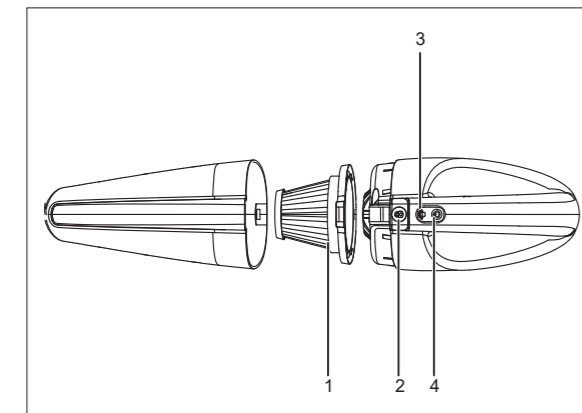
Model: V5
 Power: 100W
 Input1: Type-c 5V
 Input2: 12V
 Power cord length: 1.148ft

Working mode

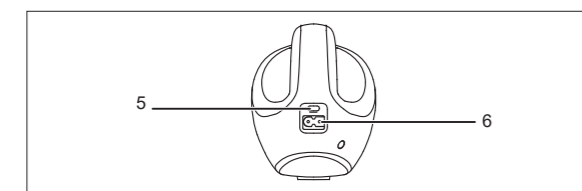
Connect to car charger
 Suction: 8kpa

Wireless
 Suction: 4.5kpa
 Battery life: 25minutes~30minutes

Parts and functional description



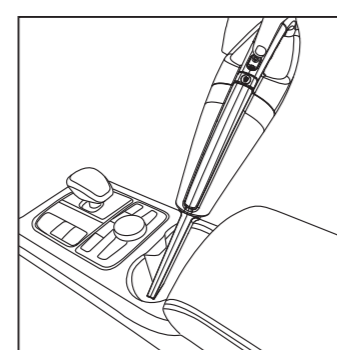
Long Flat Nozzle



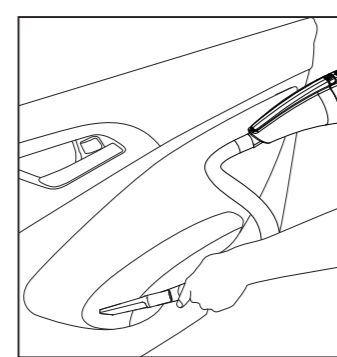
Hosepipe & Long Flat Nozzle

1. Hepa
2. Dust empty button
3. Power indicator
4. Power switch
5. Type-c input port
6. Vehicle adapter charging port

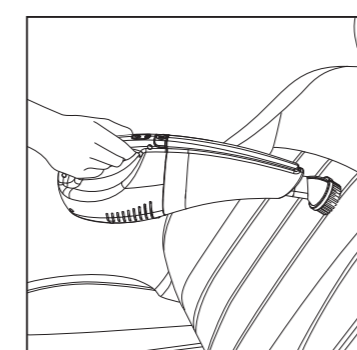
Usage Scenarios



Long Flat Nozzle



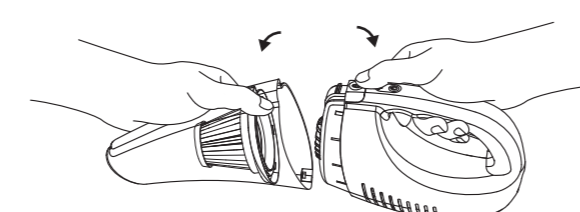
Hosepipe & Long Flat Nozzle



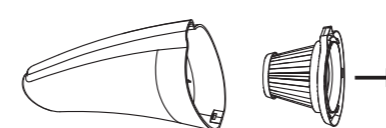
Brush

Vacuum cleaner cleaning guide

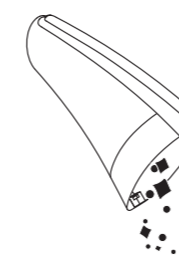
Step 1: Press the button to separate the dust cup from the host



Step 2: Separate the filters from the dust cup

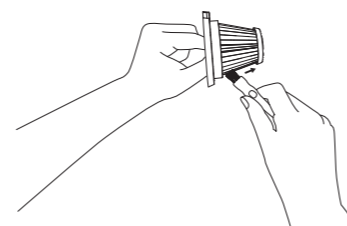


Step 3: Empty the garbage in the dust cup



Note: The vacuum can only be used after the installation of the HEPA. You can wash the filter with water. Please dry it completely before use them again.

Step 4: Please clean the Hepa with mini brush.



Step 5: Clean the HEPA with water



Note: The vacuum can only be used after the installation of the hepa. You can wash the filter with water. Please dry it completely before use them again. We recommend replacing the HEPA after 1 to 3 months of use.

Safety instructions

WARNING: To reduce the risk of injury, fire, electric shock and property damage. Carefully observe the following instructions. This appliance is for domestic use only. Please read this instruction booklet carefully

1. Before using this appliance, please check that if the device is powered by correct voltage.
2. All the following things can't handle by vacuum cleaner: water and other liquids.
3. Sharp matter.
4. Lighted stub, hot ashes and other combustible things.
5. Wood pieces, gesso, cement, glass, nails, screws, or coins, etc.
6. Flammable or combustible materials (e.g., lighter fluid, gasoline, or kerosene).
7. Never use spirits or other solvents to clean the appliance.
8. Do not switch the vacuum on if it appears to be faulty in any way.
9. Do not use damaged vacuum or charging dock.
10. Do not incinerate vacuum, even if it is severely damaged. The battery should be disposed safely.
11. Do not put any object into openings.
12. Keep hair, loose clothing, fingers, and all parts of body away from openings and moving parts.
13. Do not use the vacuum without dust cup and filter in place.
14. Make sure filter is thoroughly dry before dust cup and filter are installed.
15. This appliance can be used by children aged from 8 years and above, persons who lack of experience and knowledge but under supervision when they use the vacuum.
16. Do not handle charger or vacuum cleaner with wet hands.

Charging guide

Model	Remain Power	Indicator light
Wireless work	Power<30%	Flashing
Wired work	Power<30%	Stay lighting
Charging	Not fully charged	Flashing
	Fully Charged	Stay lighting

Note: The vacuum cleaner will automatically shut down when the power is lower than 5% to protect the battery.

Troubleshooting guide

Problem	Possible reason	Possible solution
Hand vacuum will not operate.	1. Electrical outage 2. Unit needs servicing.	1. Check fuse or breaker. 2. Replace fuse or reset breaker. 3. Battery needs to be recharged or replaced
Hand vacuum will not pick-up or suction power is weak.	1. Dust cup is full. 2. The filter needs cleaning or replacement. 3. The filter screen is clogged and needs cleaning.	1. Empty dust cup. 2. Remove dust cup filter, check for object(s) in air duct, and remove if necessary. 3. Open dust cup and clean filter screen.
Dust escap-ing from and vacuum.	1. The filter is not installed correctly. 2. The dust cup is not installed correctly. 3. Puncturehole in dust cup filter.	1. Install the filter correctly. 2. Review dust cup filter instruction. 3. Replace dust cup filter.

Correct disposal of this product

This marking indicates that this product should not be disposed with other household wastes throughout the EU. DO NOT incinerate or compost the battery. To scrap your used device, please use the return and collection systems or contact the retailer where the product was purchased. OR contact your local recycling centre for information on where to drop off the spent battery. They can take this product recycling to ensure environmental safe. When your lithium-ion battery needs to be replaced, dispose of it or recycle it in the bin or in a municipal solid waste stream.

SERVICE CARD

Your Service Includes

- **24-Month Coverage**
 Within 24 months of purchase, we will provide timely and effective online after-sales service. We will repair or replace any defective product (due to manufacturing fault) within the service period.

How to Return Your ENGINDOT Product

- Contact support@engindotools.com with your order number.
- We will issue you a return label for your return.
- Tear off the "Return Details" page and fill in the details, include this inside your return package.
- We will issue your replacement/refund on receiving the return package.

Return Details

In order to process your return as quickly as possible, we require the following information. Please fill out this form and include it in your return package.

Purchase Name:	
Order Number:	
Date of Purchase:	
Your Email Address:	
Place of Purchase:	

*If your purchase was fulfilled by Amazon, please use Amazon's 30-day return service.

☎ 516-896-6611 Mon-Fri 9AM-5PM(ET)

🌐 www.engindotools.com

✉ support@engindotools.com

📍 Shenzhen Houqiandong Trading Co., Ltd.
 Room 504D, Block B, Sunshine Hotel, No.2003, Jiabin Road,
 Jilinan Community, Nanhu Street, Luohu District, Shenzhen

Made in China