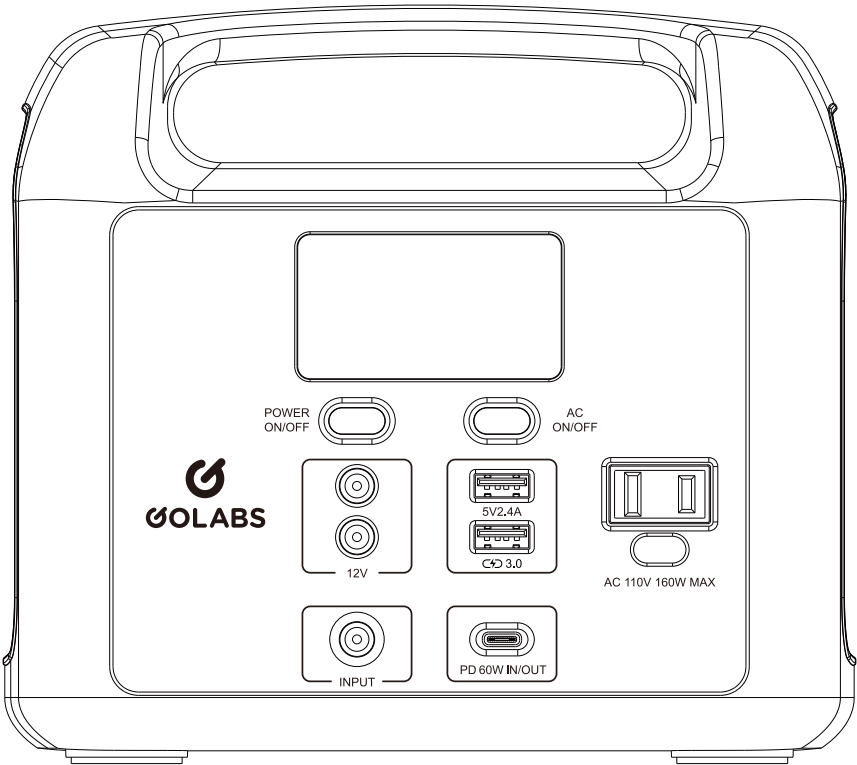


# GOLABS R150

## Portable Power Station

### User Manual



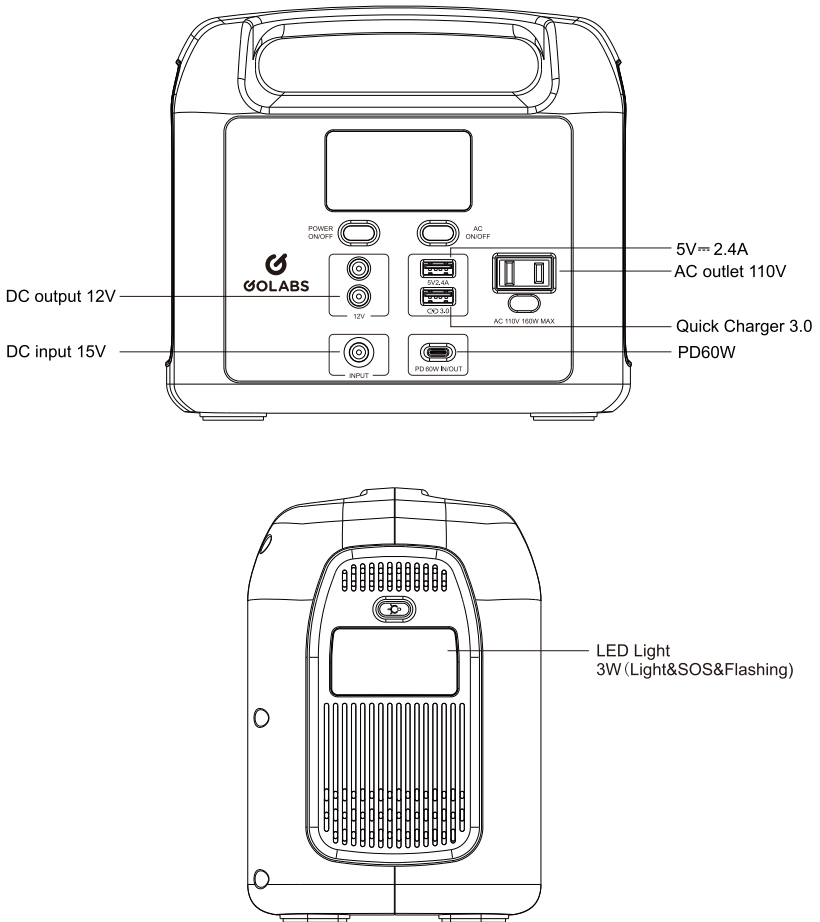
24 hrs Service: [support@golabs.com](mailto:support@golabs.com)

# GOLABS R150 Portable Power Station

No worries about outside of short of power any more. With GOLABS portable power station solar generator, you can easily stay charged while on-the-go. No worries about suddenly power cuts any more. No worries about outdoor dark night any more. GOLABS Power Station offers you great power supply and confidence in the wild!

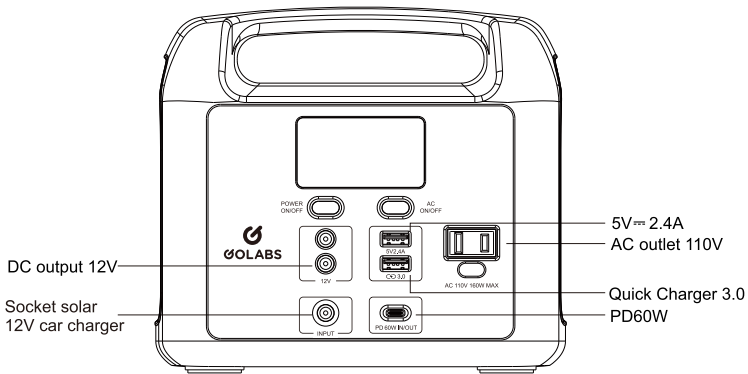
## ⚠ ATTENTION

- A. The specifications and the pictures in this manual are for reference only.
- B. The product is only used for emergency situation, it cannot replace the standard AC power for household appliances or digital products.
- C. Actual AC outlet and AC adapter would be different depending on the locations of customer.



# Get To Know Your Product

## 1. Front



## Charging Your Product



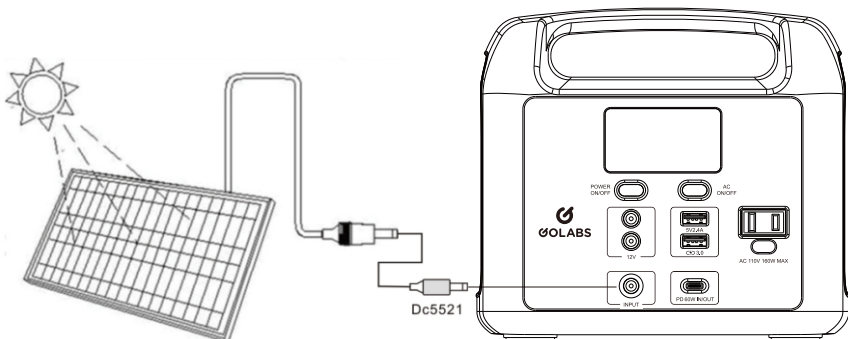
### ATTENTION

If the ambient temperature is too high or the battery temperature is higher than 53 °C due to continuous high-power discharge, the product cannot be charged. When the battery temperature is less than 50 °C, the charging function will automatically resume.

### 1.LCD Battery Display

There are 5 segments to the battery, approximating 20% -40% - 60% - 80% -100% capacity. As you use your product, segments will disappear from the display, indicating the remaining charge. When charging your product you will notice a battery segment blinking at a 1 second interval status. Once your products is fully charged, all battery segments will be lit and remain solid.

### 2.Charge Through Solar Panel



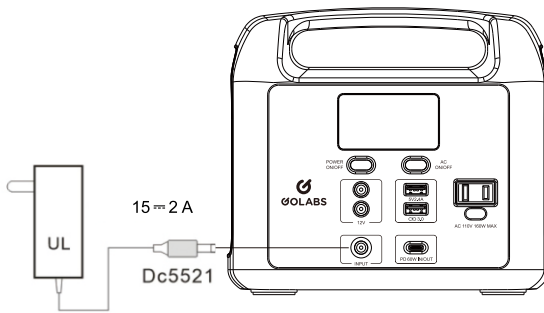
A.Place your solar panel where it will get as much strong direct sunlight as possible.  
B.Connect the output port of the solar panel with the input port of the product to start charging. You will know the product is being charged when the LCD display indicators blink. The product is fully charged when all battery indicators stop blinking and remain solid.

### ⚠ **Notes:**

The actual charging efficiency can vary widely depending on weather, ambient temperature, sunlight's strength, the angle that the solar panels faces to the straight sunlight and other factors. The maximum output voltage of the solar panel should not exceed 22V.

In order to ensure solar charging efficiency, it is recommended to use solar panels with an open circuit output voltage of 18-22V.

## 3.Charge Through AC Adapter



Plug the original adapter into the machine's DC input port and you will see the battery indicators on the screen blink.

### ⚠ **Notes:**

A.The product is fully charged when all battery indicators stop blinking and remain solid.

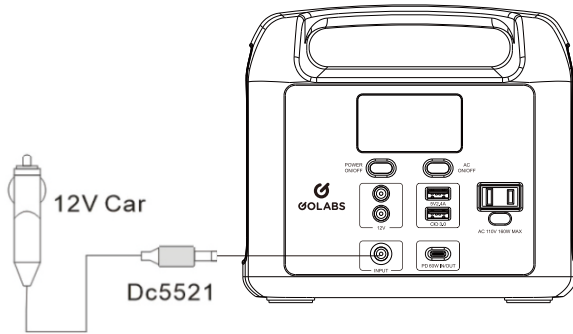
After the product is fully charged, please unplug the AC wall charger in time.

B.Usually, it takes about 8 hours to fully charge the machine using the original power adapter.

C.When you charge your power station by the INPUT port, the PD 60W port cannot output.

D.When the display shows E13,it means that the battery has experienced over-temperature, under-voltage,and other abnormal protection situations.The currently displayed battery capacity error will be relatively large.At this time,you only need to fully charge the battery or discharge it until the low-voltage shutdown,and the capacity display will be restored.normal.When E13 is displayed,the buzzer will alarm,press any key to cancel the current alarm.

## 4.Charge Through Your Car



- Plug the original car charger into the cigarette lighter socket of your 12V car, and then plug into the DC input port of the machine.
- The original car charger features 10A protector tube to protect your car.
- You will know the machine is being charged when the battery indicators blink.

### **Notes:**

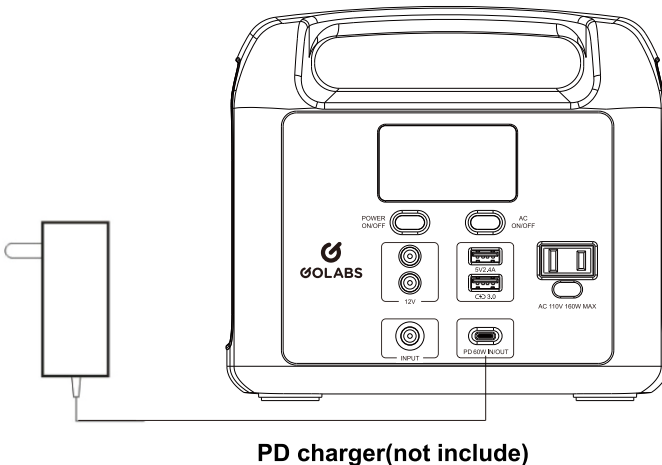
To avoid car battery power loss, you should charge this product through your car cigarette lighter only when your car engine is started. This function is for 12V car ONLY.

### **Protection mode(DC input)**

- Due to the different models of your car, it may not be full.
- Under-voltage protection: The power generator can't be charged if the voltage of your car is too low.

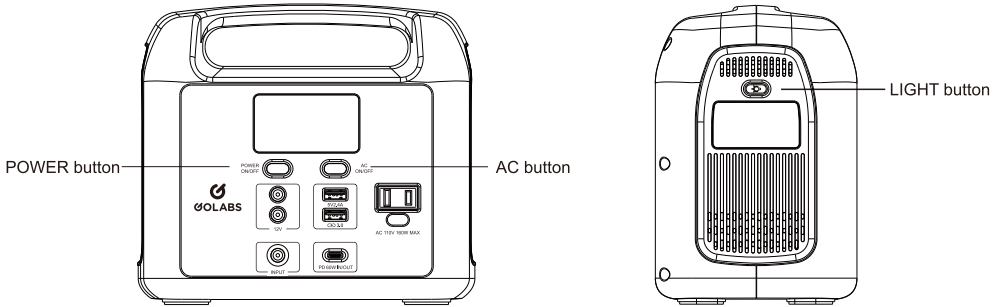
## 5.Charge by PD mode

Plug your PD charger to the PD 60W IN/OUT Dock.



# Using Your Product

## 1. Button



A. Long press the power button for 3 seconds to turn the machine on, Short press the power button to turn on the DC function.

B. Press the AC button to turn on the AC function(The AC icon will display on the screen at the same time.)Press the AC button again to turn off the AC function when no use.

## 2. Light Modes

A. Press this button to turn on the light, strong mode.

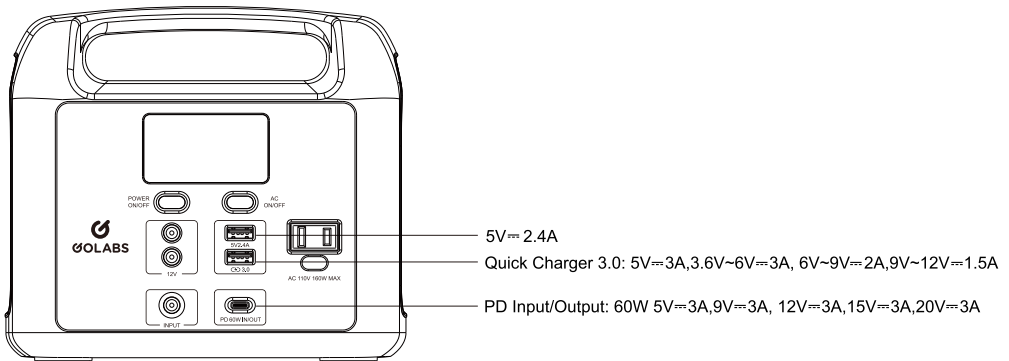
B. Press this button again to change the light mode into SOS.

C. Press the button again to change the light mode into flash mode.

D. Press the button again to turn off the light .

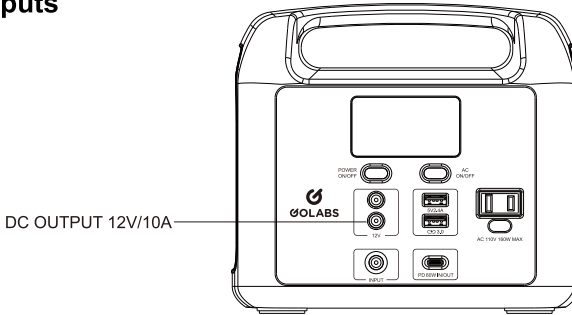
**⚠ Warning! DO NOT stare the light straightly!**

## 3.USB Output Function



When two USB-A ports use them simultaneously, the two ports can only output 5V/ 3.8A in total.

## 4.DC Outputs



A. These two DC5521 (5.5mm in diameter) 12V ports offer max 10A output current and automatically distributing max current according to the external connected devices to ensure shortest charging time.

B. Each of DC5521 ports can be connected with a cigarette lighter (power requires no more than 100W).

### ⚠ Notes:

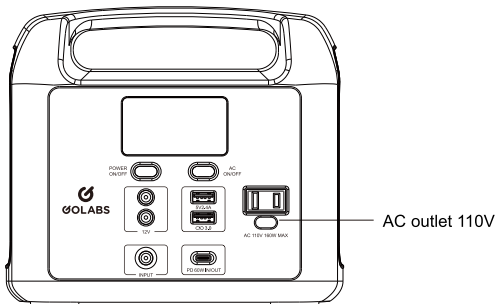
When the product's AC, DC, and USB output at the same time, and the total battery current is greater than 24A, after 3 minutes of operation, the product's buzzer will alarm, and the LCD screen will display the fault code E11. If the alarm continues for more than 30 seconds, it has not been cleared, The product will forcibly turn off the DC output to reduce the total output current of the battery and ensure the safety of the product,When the DC output is turned off due to overload, please do not force it to turn on again by pressing the button.

When the battery voltage is less than 11.2V, the DC output function will be forcibly closed, and it needs to be charged to release it.

### Protection mode(DC outputs)

Short circuit protection: when short-circuit occurs to the external devices, the machine starts beeping and stops charging.

## 5. AC Output



A.Plug the power cable of AC appliance into the AC outlet of the machine. Press the power button to enter AC mode.

B.Make sure the power of the connected AC appliance is less than 160 W.

### **Notes:**

When there is no operation, the LCD screen backlight will automatically become dim after 2 minutes. When the machine is not working, it will automatically shut down.

When the battery voltage is less than 11.2V, the AC output function will be forcibly closed, and it needs to be charged to released.

The AC output is automatically closed after 8 hours of inactivity. When not in use, please turn off the AC power.

### **Protection mode:(AC output)**

A.This product has undervoltage protection;overload protection;short circuit protection;The overtemperature protection adopts double isolation circuit, which is safe, reliable and efficient.

B.When overload, overtemperature or short circuit occurs, this machine will start beeping and the AC icon on the screen will flash, and then the machine automatically shut down to ensure safely.

## **Product Specifications**

### **Battery**

Battery	12.8V LiFePO4 Battery
Battery Capacity	204.8 Wh
Lifecycles	2000 Cycles to 80% Capacity
Battery Maintenance	Charge Every 3-6 Months

### **Port**

USB Port (Output)	5V $\equiv$ 2.4A
USB Port(Output)	5V $\equiv$ 3A;9V $\equiv$ 2A;12V $\equiv$ 1.5A
USB-C port(Output/Input)	5V $\equiv$ 3A;9V $\equiv$ 3A;12V $\equiv$ 3A;15V $\equiv$ 3A;20V $\equiv$ 3A
5.5mm Port(Output,5.5mm)	12V $\equiv$ 10A
AC Port(Output)	110V 60Hz 160W Modified Sine Wave
Charging Port (Input, 5.5mm)	Adapter: DC 15 $\equiv$ 2A Solar Panel: 5-22V

### **General**

Weight	About 2.4kg
Dimensions	120*175*200mm
Operating Usage Temp	-10°C—40°C
Illumination	1 Ultra-bright LED



## Cold Weather Usage

Cold temperatures (-10—40°C) can affect the product's battery capacity due to chemical characteristics of the battery. If you'll be living off grid in sub-zero conditions, it is recommended to keep your product in an insulated cooler, and connected to a power source (12V car/AC adapter/solar panel). The natural heat generated by the product contained in an insulated cooler will keep battery capacity at its highest level.

## Disposal And Recycle

This product should not be disposed along with household waste. Please dispose or recycle this product and the battery inside according to the local rules and regulations.

## Battery Information

- A.This product has an internal, non-removable, LiFePO4 Rechargeable battery. Do not attempt to remove the battery, as you may damage the device.
- B.The battery can be charged and discharged over 2000 times.

## Caution

- 1.Do not short-circuit the product. To avoid short-circuiting, keep the product away from all metal objects.
- 2.Do not heat the product, or dispose it in fire, water or other liquids. Keep it away from high ambient temperature. Do not expose the product to direct sunlight.
- 3.Keep the product away from humid, dusty places.
- 4.Do not disassemble or reassemble this product.
- 5.Do not drop, place heavy objects on, or allow strong impact to this product.
- 6.This product is not intended to be used by person with reduced physical, sensory or mental capabilities.
- 7.Please keep this product away from children.
- 8.Do not cover the product with towels, clothing and other item.
- 9.Do not overcharge this product.
- 10.When fully charged, disconnect the product from the power source immediately.
- 11.If you are not going to use this product for a long time, please disconnect the cable before storing it away.
- 12.To charge some portable electronic devices, you may need to set those devices in charge mode first. Refer the corresponding user manual of those devices for confirmation.

## Error Code

Error code	Causes	Solutions
E01	DC output overload	Release the overload status,press the DC output button again,the DC output will be able to be used normally
E02	DC output short circuit	Remove the short-circuit state,press the DC output button again,the DC output will be able to be used normally
E03	AC output overload, over temperature, over voltage, and short circuit	Release the overload,over temperature,over under voltage,short circuit status,press the AC output key again,the AC output can be used normolly
E04	PD (bi-directional charging)short circuit, overload	Release the overload and short-circuit status, re-insert the USBC,theUSBC output will be able to be used normally
E05	PCBA over temperature	Put the product in a cool place and wait for the product temperature drops before using
E06	PCBA low temperature	Put the product in a high temperature place and wait for the product temperature rises before using
E07	Battery undervoltage protection	Stop using and fully charge
E08	PD (unidirectional charging)/USBA short circuit,overload	Release the overload and short circuit status, press the USB output button again,the USB output will be able to be used normally
E09	DC charging overvoltage	Use a charge with the correct charging voltage to charge the device
E10	Battery charge and discharge over temperature	Put the product in a cool place and wait for the product temperature drops before using
E11	Battery discharge overload	When overload,the DC output will be automatically turned off after 210 seconds
E12	Low power	The AC and DC output will be automatically turned off when prompt to charge
E13	Deep discharge(prompt to do a charge)	Press any key to release,and charge the battery to full

## Modified Sine Wave Output

This product generates modified sine wave, which is compatible with AC electric appliance that works with Sinusoidal waveform (power <160W). However, the product is only used for emergency situations. It cannot replace the standard DC or AC power supply for household appliances or digital products. Electronic appliances that use an AC motor isn't going to work to it's full capacity on a modified sine wave and noises may sound as a result. For long-term use, appliances like refrigerators, microwaves, and compressors that use AC motors and some delicate medical equipment will be better off with a pure sine wave inverter.

## Package Content

- 1 x 204.8Wh Portable Power Generator
- 1 x Power Adapter
- 1 x Car Charger
- 1 x MC4 Solar Charging Cable
- 1 x User Manual

## Warranty

Our company provides customers with warranty of 12 months from the date of purchase.

**24 hrs Service: [support@golabs.com](mailto:support@golabs.com)**



**Made in China**

# **GOLABS, INC**

2201 Luna Rd.  
Carrollton, TX 75006