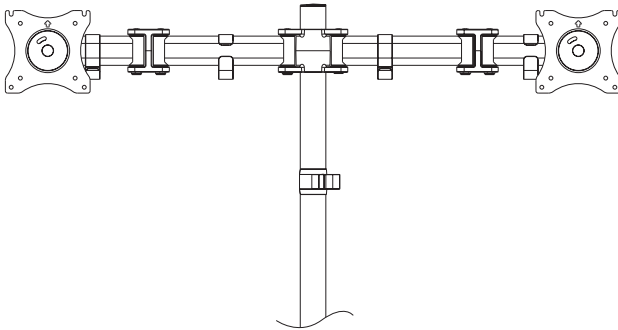


---

## Dual Monitor Desk Mount

### Instruction Manual



**SKU: STAND-V002M**



Scan the QR code with your mobile device or follow the link for helpful videos and specifications related to this product.

<https://vivo-us.com/products/stand-v002m>

---

GET IN TOUCH | Monday-Friday from 7:00am-7:00pm CST



help@vivo-us.com



www.vivo-us.com  
*Chat live with an agent!*



309-278-5303

## **WARNING!**

If you do not understand these directions, or if you have any doubts about the safety of the installation, please call a qualified technician. Check carefully to make sure there are no missing or defective parts. Improper installation may cause damage or serious injury. Do not use this product for any purpose that is not explicitly specified in this manual. Do not exceed weight capacity. We cannot be liable for damage or injury caused by improper mounting, incorrect assembly or inappropriate use.

## **TIPOVER WARNING**

SERIOUS OR FATAL CRUSHING INJURIES CAN OCCUR FROM TIPOVER. TO HELP PREVENT TIPOVER:

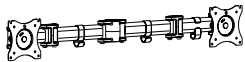
- NEVER ALLOW CHILDREN TO CLIMB, STAND, HANG, OR PLAY ON ANY PART OF MONITOR OR STAND.
- USE TIPOVER RESTRAINT OR ANCHOR STAND TO WALL

**USE OF TIPOVER RESTRAINTS MAY ONLY REDUCE, BUT NOT ELIMINATE RISK OF TIPOVER.**

## **WARNING: CHOKING HAZARD**

SMALL PARTS - NOT FOR CHILDREN UNDER 3 YEARS. ADULT SUPERVISION IS REQUIRED.

## PACKAGE CONTENTS



**A (x1)**  
Arm



**B (x1)**  
Clamp



**C (x1)**  
Pole Cover



**D (x1)**  
Pole



**E (x1)**  
Cable Clip



**F (x1)**  
Grommet  
Base



**G (x5)**  
Rubber Pad



**H (x1)**  
Bolt



**I (x1)**  
Support Plate



**J (x1)**  
5mm Allen Key



**K (x1)**  
6mm Allen Key



**M-A (x8)**  
M4x12



**M-B (x8)**  
M5x12



**M-C (x8)**  
D5 Washer

**NOTE:** SOME HARDWARE INCLUDED MAY NOT BE USED

## TOOLS NEEDED



DO NOT EXCEED WEIGHT CAPACITY.

Failure to do so may result in serious injury.

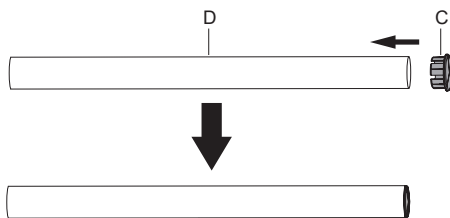
17.6 lbs  
(8 kg)

PER ARM

## ASSEMBLY STEPS

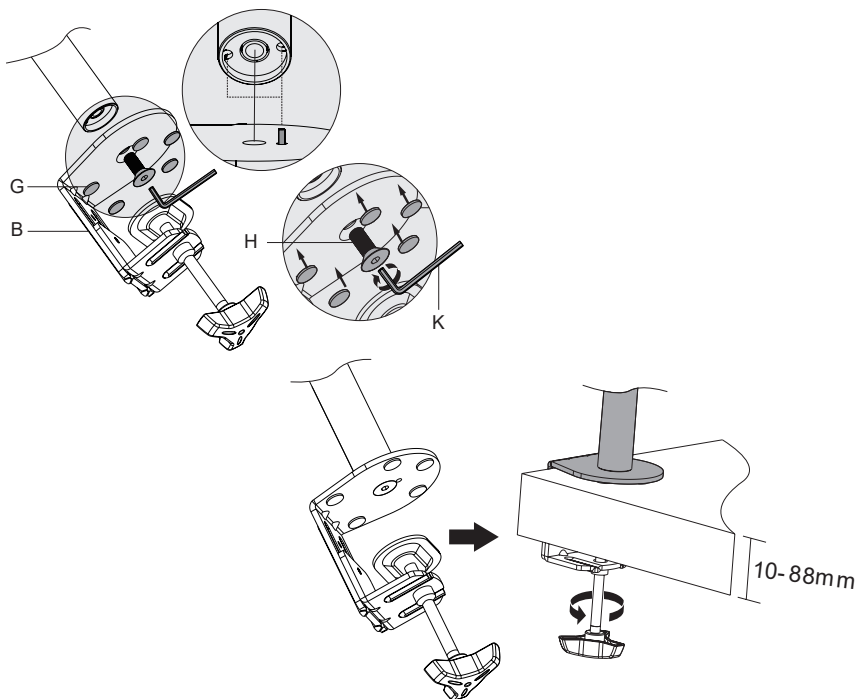
### STEP 1

Install Pole Cover (C) to Pole (D).



#### OPTION A: Clamp Installation

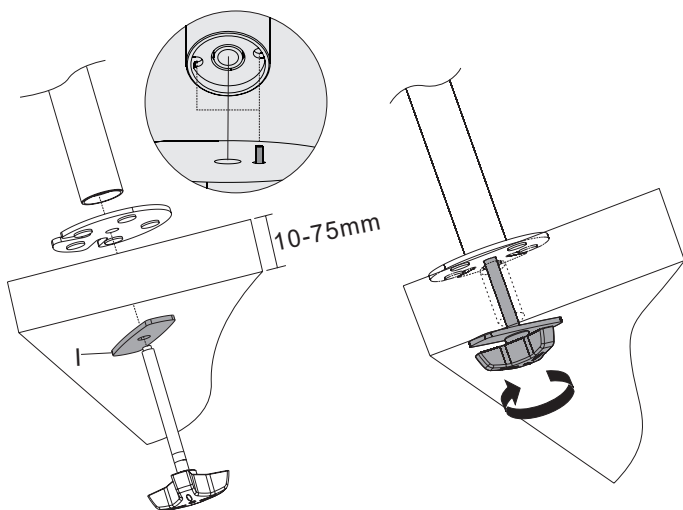
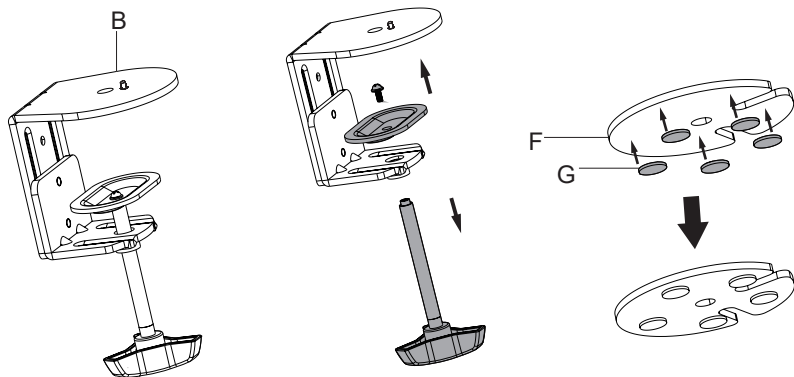
Stick rubber pads (G) to the underside of clamp (B). Attach pole (D) to clamp (B) using bolt (H). Tighten using 6mm allen key (K). Attach clamp (B) to desktop.



## STEP 1 (Continued)

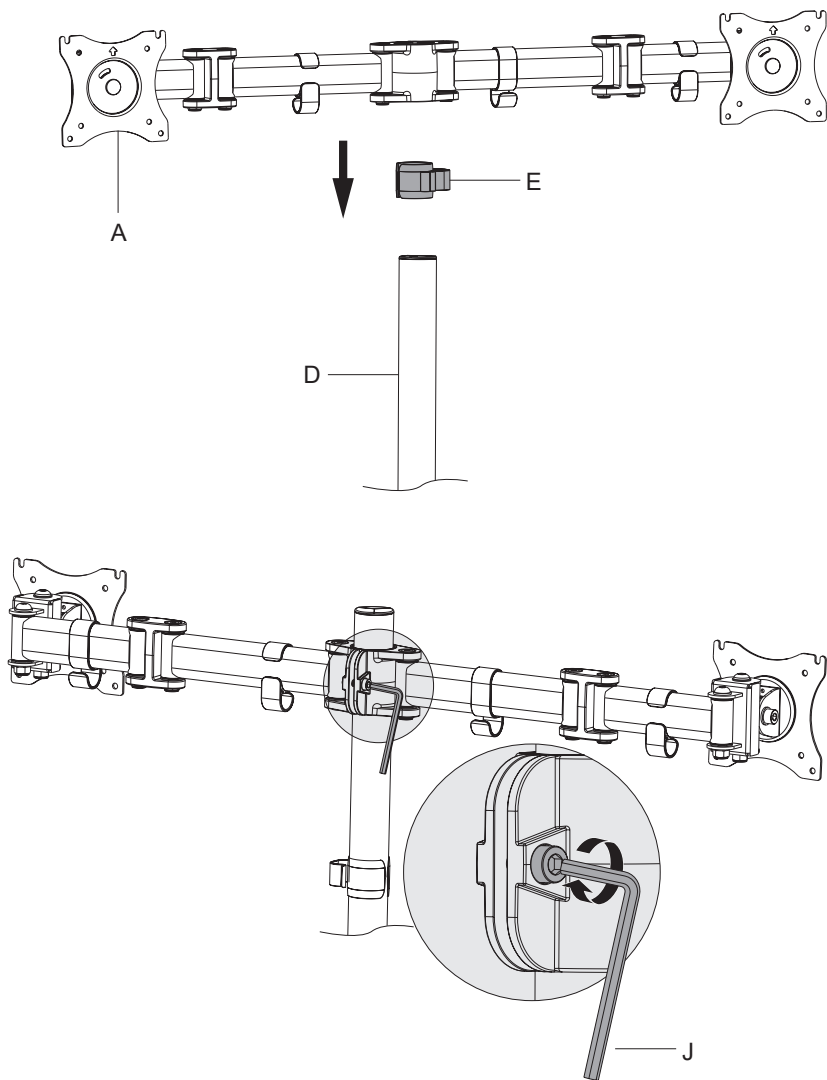
### OPTION B: Grommet Base Installation

For grommet hole mounting, remove screw in top of bolt on clamp **(B)**. Stick rubber pads **(G)** to bottom of grommet base **(F)**. Attach support plate **(I)** to bolt and run through grommet hole into grommet base **(F)** and thread into pole **(D)** as shown in diagram.



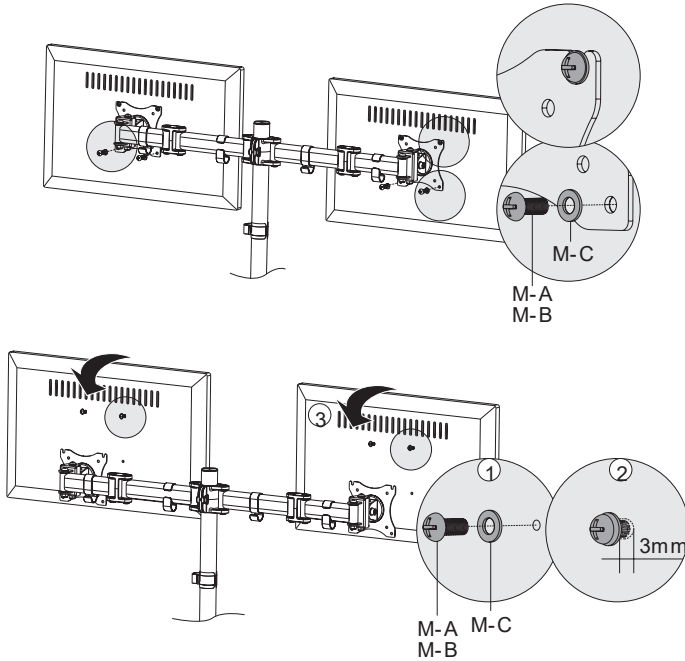
## STEP 2

Slide cable management clip (**E**) and arm (**A**) onto pole (**D**) and tighten using 5mm allen key (**J**).



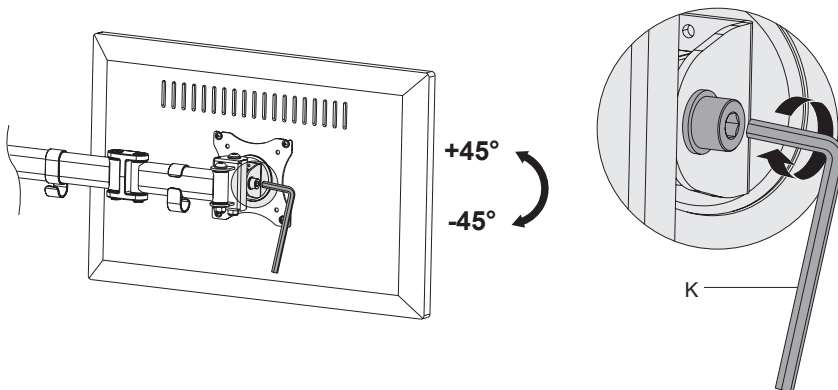
### STEP 3

Attach two bolts (**M-A** or **M-B**) and washers (**M-C**) to top mounting holes of monitors, making sure to leave 3mm of threads exposed. Align bolts (**M-A**, **M-B**) in VESA plates. Secure using two more bolts (**M-A** or **M-B**) and washers (**M-C**) in the bottom two holes. Tighten all eight bolts using phillips screwdriver.



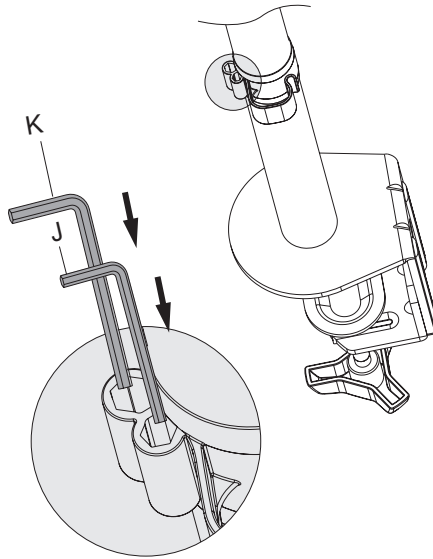
### STEP 4

Adjust tension in monitor bracket with 6mm allen key (**K**) as shown in diagram.



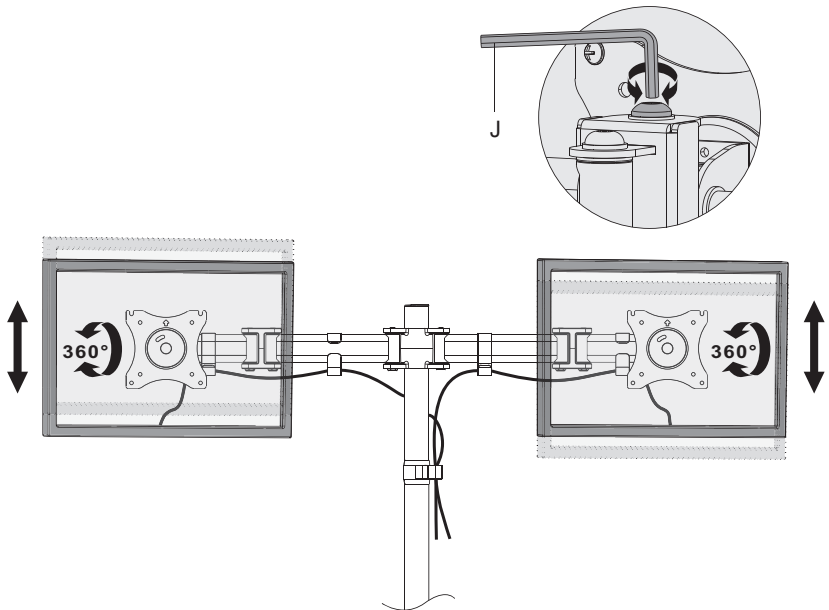
## STEP 5

Store allen keys (**J,K**) in cable management clip (**E**) for future adjustment.



## STEP 6

Adjust height of monitors by turning bolt in top of monitor brackets as shown in diagram.





Open **Monday - Friday 7:00am - 7:00pm** CST,  
our dedicated support team can offer immediate assistance with rapid response times. If any parts are received damaged or defective, please contact us. We are happy to replace parts to ensure you have a fully functioning product.


 [help@vivo-us.com](mailto:help@vivo-us.com)

**AVG. RESPONSE TIME** (*within office hrs*): **1HR 8M**

- 23% within < 15m
- 38% within < 30m
- 61% within < 1hr
- 83% within < 2hr
- 92% within < 3hr

 [www.vivo-us.com](http://www.vivo-us.com)  
*Chat live with an agent!*

**AVG. RESOLUTION TIME** (*within office hrs*): **< 15 M**

 309-278-5303

**AVG. RESOLUTION TIME** (*within office hrs*): **5M 4S**