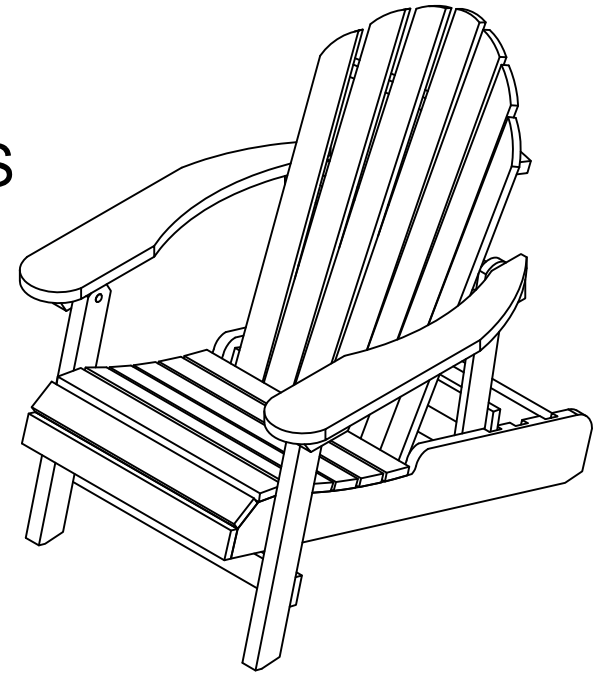
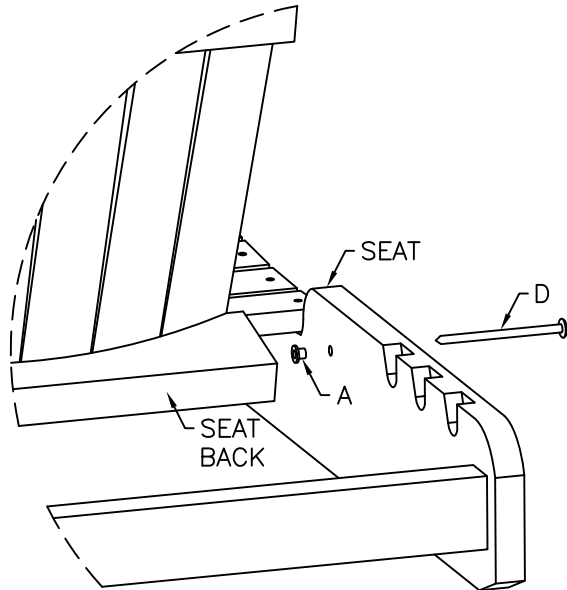
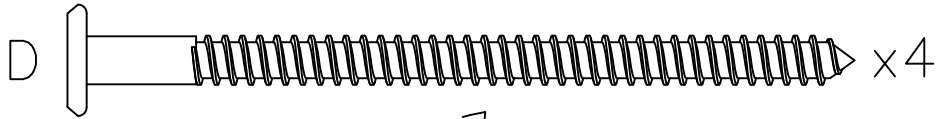
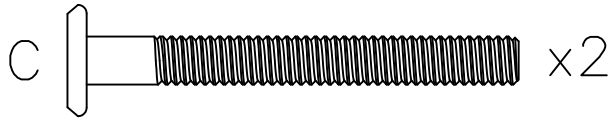
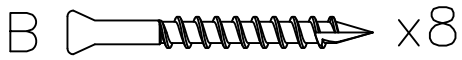
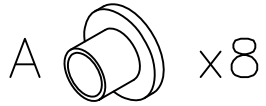


Do not fully tighten the bolts until all bolts are started. Once all bolts are inserted, then go back and tighten all the bolts.

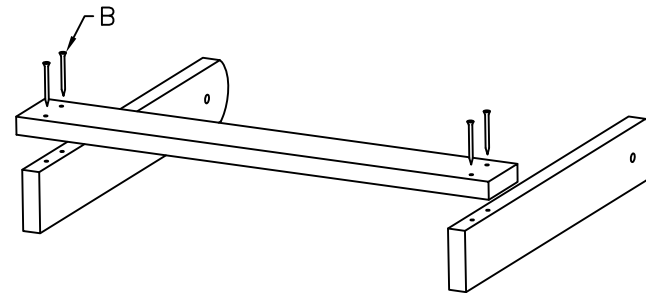
# ADIRONDACK COLLECTION HAMILTON CHAIR ASSEMBLY INSTRUCTIONS



## HARDWARE



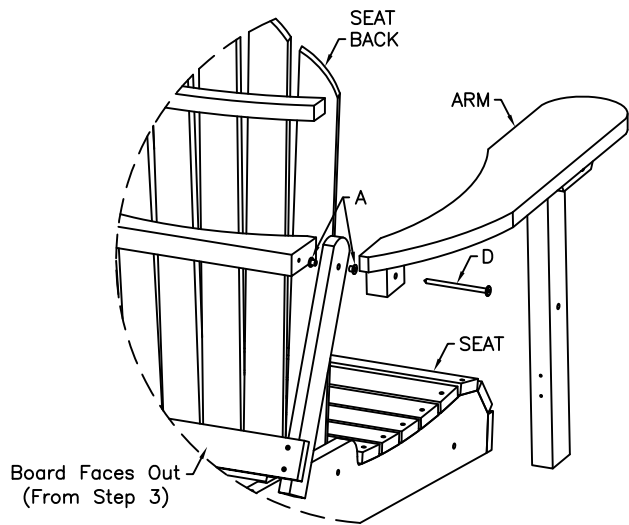
- 1) Attach seat back to seat with bolt D and washer A
- 2) Repeat on other side



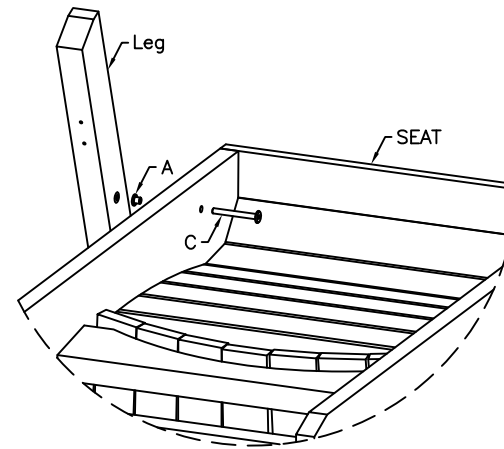
- 3) Attach Back Support Rail to Back Support Sides with four B screws

CHL1  
12.12.13

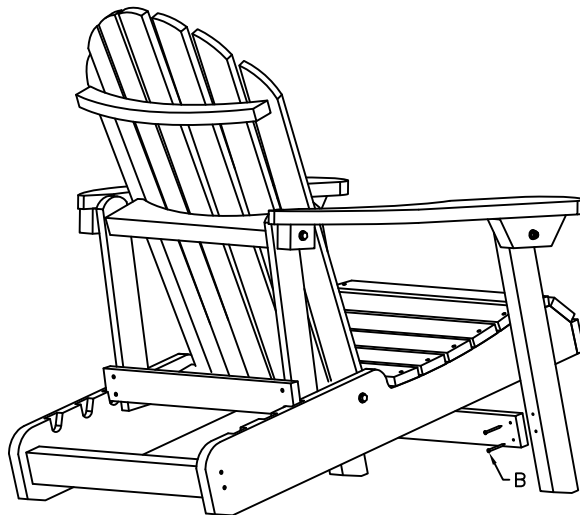
**highwood**<sup>®</sup>  
NATURE'S CLOSEST RIVAL



- 4) Attach Arm and Back Support to Back with bolt D and two A washers.
- 5) Repeat on other side



- 6) Turn chair over. Attach Leg to Seat using bolt C and washer A.
- 7) Repeat on other side.



- 8) Attach Front Leg Support with four B screws. Enjoy your Highwood Chair!

## IMPORTANT NOTES

NEVER adjust the level of recline while you are sitting in the chair, or while anyone else is in the chair. Always adjust with an empty chair and ensure that the back-support is completely secure in the recline-slots on each side of the chair.

To fold the chair, lift the back-support and push down on the seat back gently... the chair will collapse down to floor level.

CHL1  
12.12.13

**highwood**<sup>®</sup>  
NATURE'S CLOSEST RIVAL

For information on Care and Cleaning your **highwood**<sup>®</sup> product visit [www.highwood-usa.com/care.html](http://www.highwood-usa.com/care.html)  
Visit our Website and Facebook page to see more **highwood**<sup>®</sup> products!  
[www.highwood-usa.com](http://www.highwood-usa.com) [www.facebook.com/highwoodUSA](http://www.facebook.com/highwoodUSA)