

ASSEMBLY INSTRUCTIONS

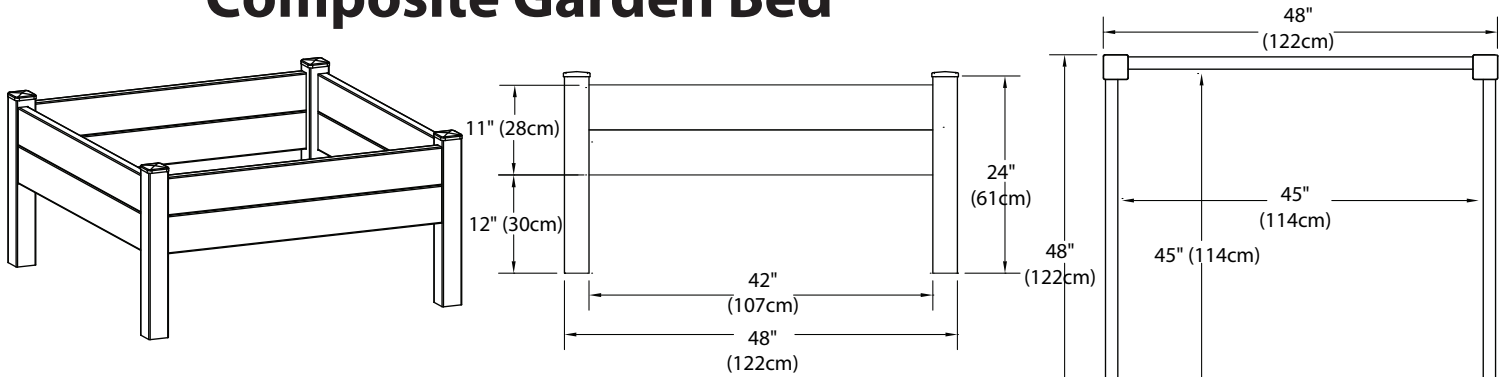
The 4x4 (122cm x 122cm) Composite Garden Bed

New England
Arbors

Leadership by Design

www.newenglandarbors.com

www.newenglandarbors.co.uk

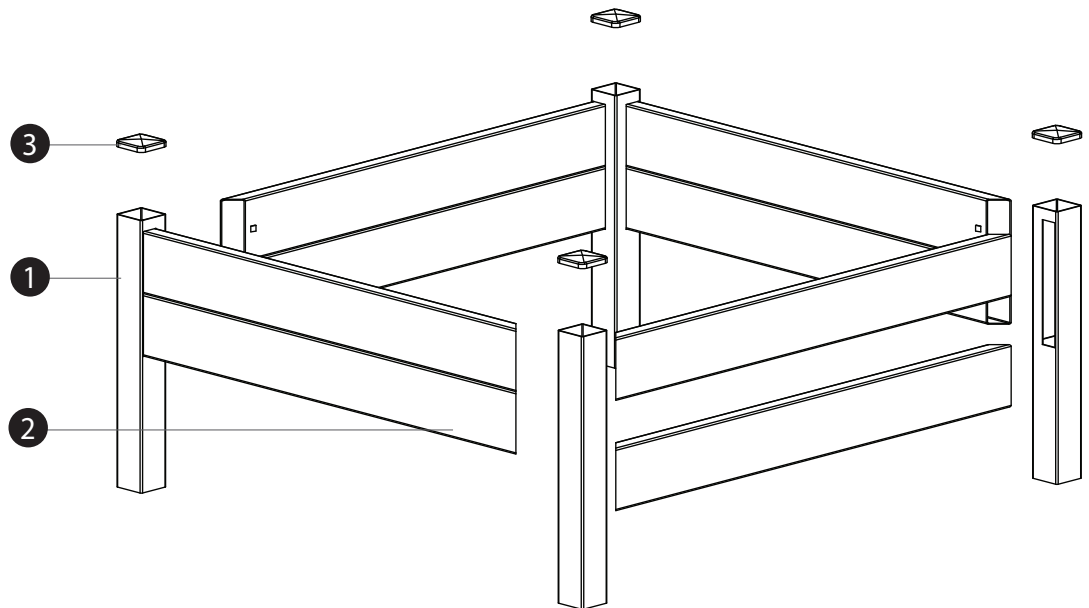


Please read through before starting assembly.

Check Box for These Contents

In the event of missing or defective parts please call our customer service dept. at **1 800 282 9346** (Mon. to Fri. 8:00 AM to 4:00 PM EST).
(UK Tel: **(44) 2038 687160** - Mon. to Fri. 1:00 PM to 10:00 PM GMT).

1. Posts (4) - 14063
2. Side Panels (8) - 14064
3. Post Caps (4) - 14065



General Information

- **Read Instructions through carefully before beginning assembly.**
- When assembling components, place on a non-abrasive surface (*i.e. shipping box*) to avoid scratching.
- We recommend an area approx 4' x 8' (1.2m x 2.4m) for unobstructed assembling.
- You should not need to use excessive force when assembling components.

STEP ONE

Raised Bed Assembly

1

Insert boards into the posts as shown. The boards are tabbed and will lock into place once fully inserted into the routed holes on the posts.

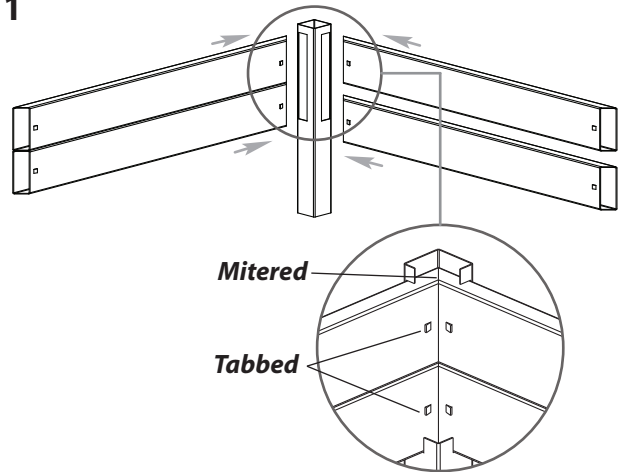
2

Repeat for all boards.

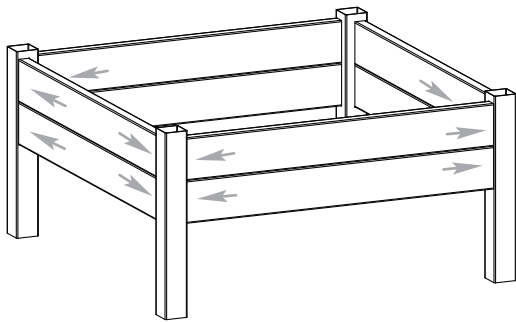
3

Place a post cap onto the top of each post. The design of the post cap allows them to be press-fitted into place.

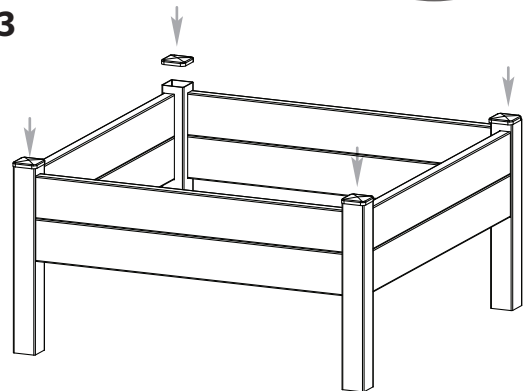
1



2



3



STEP TWO

Raised Bed Installation

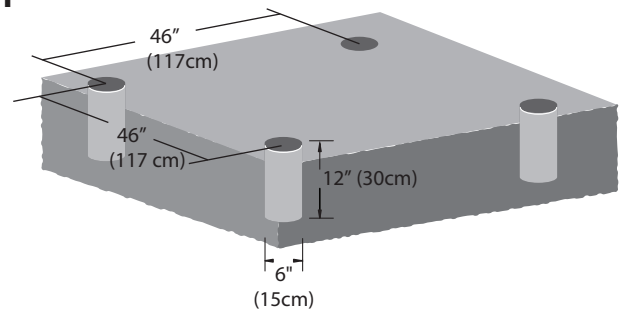
1

Excavate four, 6-inch holes in a square pattern, 46" x 46" (117cm x 117cm), as shown aside. Holes are to be 12" (30cm) deep.

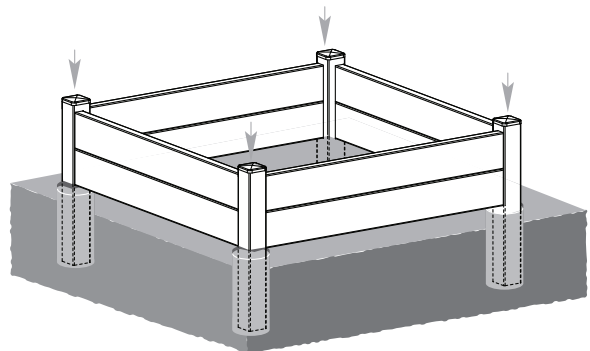
2

Insert the Raised Bed assembly into the holes and replace the excavated dirt back and around the posts.

1



2



New England
Arbors
Leadership by Design